

VKS-H**Technical Information****H8-420-03-01**

Responsible: K.H.Hiby

Telephone: (0209) 401732

Date: 27.01.1997

Model		FK156.1	FK156.1	FK156.2	FK156-2		
Product no.		923 58 00-20	923 58 00-27	9235806-07	923 58 06-05		
From product date		9219	9310	9341	9523		
Dimensions	(L x W x H) mm	880/590/540					
Gross capacity	l	150					
Amount of refrigerating agent	g	90	100	75	75		
Refrigerating agent		R12a	R12a	R134a	R134a		
Climatic group		N	N	N	N		
Switching values (min)	°C	+3,5/-10	-3,5/-10	+3,5/-10	+3,5/-9		
Switching values (max)	°C	+3,5/-30	+3,5-32	+3,5-30	+3,5/-27		
Motor compressor set ¹⁾							
Voltage / Frequency	V / Hz	220-240/50					
Power output	PS	1/8	1/8	1/8	1/8		
Power input	W	115	93	89	89		
Rated / starting current	A	0,8/7,7	0,4/2,5	0,5/2,7	0,5/2,7		
Resistance main / support winding	Ohm	16/50	25/26	25/26	25/26		
Refrigerating capacity	Kcl/h	95	98	92	92		
Circuit diagram		1	2	2	2		

1) Caution: Values change with integrated substitute condenser!

VKS-H**Technical Information****H8-420-03-01**

Responsible: K.H.Hiby

Telephone: (0209) 401732

Date: 27.01.1997

Model		FK166.1	FK166.1	FK166.2	Fk166-4	FK166.4	
Product no.		923 66 00 41	923 66 00-44	923 66 06-1	923 66 06-57		
From product date		9222	9314	9336	9518	9436	
Dimensions	(L x W x H) mm	880/590/540					
Gross capacity	l	160					
Amount of refrigerating agent	g	55	55	40	18	18	
Refrigerating agent		R12a	R12a	R134a	R600a	R600a	
Climatic group		N	N	N	N	N	
Switching values (min)	°C	+3,5/-9	+8.5/-15	+8,5/-15	+8,5/-15	+8,5/-15	
Switching values (max)	°C	+3,5/-27	+3/-26	+3/-26	+3/-26	+3/-26	
Motor compressor set ¹⁾							
Voltage / Frequency	V / Hz	220-240/50					
Power output	PS	1/8	1/8	1/8	1/8	1/10	
Power input	W	99	93	89	83	63	
Rated / starting current	A	1/7	0.4/2,5	0/52,6	0.6/2,9	0,4/2	
Resistance main / support winding	Ohm	20/60	25/26	25/26	21/26	36/32	
Refrigerating capacity	Kcl/h	88	98	92	97	73	
Circuit diagram		1	2	2	2	2	

1) Caution: Values change with integrated substitute condenser!

VKS-H**Technical Information****H8-420-03-01**

Responsible: K.H.Hiby

Telephone: (0209) 401732

Date: 27.01.1997

Model		FK236.1	FK236.2	FK236-4			
Product no.		923 81 00-45	923 81 06-2	923 81 06-52			
From product date		9223	9401	9581			
Dimensions	(L x W x H) mm	1220/590/540					
Gross capacity	l	225					
Amount of refrigerating agent	g	125	85	45			
Refrigerating agent		R12a	R134a	R600a			
Climatic group		N	N	N			
Switching values (min)	°C	+3,5/-9	+3,5/-10	+5/-9			
Switching values (max)	°C	+3,5/-26	+3,5/-30	+5/-27			
Motor compressor set ¹⁾							
Voltage / Frequency	V / Hz	220/240-50					
Power output	PS	1/8	1,6	1/6			
Power input	W	109	112	115			
Rated / starting current	A	1/7	0,6/3,5	0,8(3,5)			
Resistance main / support winding	Ohm	23/62	18/20	18/20			
Refrigerating capacity	Kcl/h	85	122	125			
Circuit diagram		1	2	15			

1) Caution: Values change with integrated substitute condenser!

VKS-H**Technical Information****H8-420-03-01**

Responsible: K.H.Hiby

Telephone: (0209) 401732

Date: 27.01.1997

Model		FKE157-4					
Product no.		923 57 36-56					
From product date		00					
Dimensions	(L x W x H) mm	880/560/540					
Gross capacity	l	145					
Amount of refrigerating agent	g	31					
Refrigerating agent		R600a					
Climatic group		SN					
Switching values (min)	°C	+5/-9					
Switching values (max)	°C	+5/-27					
Motor compressor set ¹⁾							
Voltage / Frequency	V / Hz	220/240-50					
Power output	PS	1/9					
Power input	W	70					
Rated / starting current	A	0,5/2,9					
Resistance main / support winding	Ohm	31/30					
Refrigerating capacity	Kcl/h	82					
Circuit diagram		15					

1) Caution: Values change with integrated substitute condenser!

VKS-H**Technical Information****H8-420-03-01**

Responsible: K.H.Hiby

Telephone: (0209) 401732

Date: 27.01.1997

Model		FKE167-4					
Product no.		923 57 06-56					
From product date		00					
Dimensions	(L x W x H) mm	880/590/540					
Gross capacity	l	160					
Amount of refrigerating agent	g	24					
Refrigerating agent		R600a					
Climatic group		SN					
Switching values (min)	°C	+8,5/-13,5					
Switching values (max)	°C	+3/-24					
Motor compressor set ¹⁾							
Voltage / Frequency	V / Hz	220/240-50					
Power output	PS	1/10					
Power input	W	63					
Rated / starting current	A	0,4/2					
Resistance main / support winding	Ohm	36/32					
Refrigerating capacity	Kcl/h	73					
Circuit diagram		15					

1) Caution: Values change with integrated substitute condenser!

VKS-H**Technical Information****H8-420-03-01**

Responsible: K.H.Hiby

Telephone: (0209) 401732

Date: 27.01.1997

Model		FKE237-4					
Product no.		923 75 46-52					
From product date		00					
Dimensions	(L x W x H) mm	1225/560/55					
Gross capacity	l	220					
Amount of refrigerating agent	g	35					
Refrigerating agent		R600a					
Climatic group		SN					
Switching values (min)	°C	+4/-9					
Switching values (max)	°C	+4/-27					
Motor compressor set ¹⁾							
Voltage / Frequency	V / Hz	220/240-50					
Power output	PS	1/7					
Power input	W	95					
Rated / starting current	A	0,6/3					
Resistance main / support winding	Ohm	20/23					
Refrigerating capacity	Kcl/h	110					
Circuit diagram		15					

1) Caution: Values change with integrated substitute condenser!

VKS-H**Technical Information****H8-420-03-01**

Responsible: K.H.Hiby

Telephone: (0209) 401732

Date: 27.01.1997

Model		FT126.1	FT126.2				
Product no.		922 71 00-35	922 71 06-02				
From product date		9315	9402				
Dimensions	(L x W x H) mm	880/590/540					
Gross capacity	l	120					
Amount of refrigerating agent	g	95	80				
Refrigerating agent		R12a	R134a				
Climatic group		N	N				
Switching values (min)	°C	-10/-13	-10/-13				
Switching values (max)	°C	-27/-34	-28/-34				
Motor compressor set ¹⁾							
Voltage / Frequency	V / Hz	220/240-50					
Power output	PS	1/6	1/6				
Power input	W	113	112				
Rated / starting current	A	0,5/3	0,8/6				
Resistance main / support winding	Ohm	18/20	14/17				
Refrigerating capacity	Kcl/h	127	122				
Circuit diagram		3	3				

1) Caution: Values change with integrated substitute condenser!

VKS-H**Technical Information****H8-420-03-01**

Responsible: K.H.Hiby

Telephone: (0209) 401732

Date: 27.01.1997

Model		FTE127-4					
Product no.		922 71 16-54					
From product date		00					
Dimensions	(L x W x H) mm	870/600/550					
Gross capacity	l	110					
Amount of refrigerating agent	g	50					
Refrigerating agent		R600a					
Climatic group		SN					
Switching values (min)	°C	-11/-17					
Switching values (max)	°C	-24/-33					
Motor compressor set ¹⁾							
Voltage / Frequency	V / Hz	220/240-50					
Power output	PS	1/8					
Power input	W	83					
Rated / starting current	A	0,6/2,9					
Resistance main / support winding	Ohm	21//26					
Refrigerating capacity	Kcl/h	97					
Circuit diagram		4					

1) Caution: Values change with integrated substitute condenser!

VKS-H**Technical Information****H8-420-03-01**

Responsible: K.H.Hiby

Telephone: (0209) 401732

Date: 27.01.1997

Model		IGU137-4	IGU137.2	IGU137.4			
Product no.		922 80 06-52	922 80 06-00				
From product date		9520	9403	9838			
Dimensions	(L x W x H) mm	820/600/550					
Gross capacity	l	115	120	115			
Amount of refrigerating agent	g	42	85	42			
Refrigerating agent		R600a	R134a	R600a			
Climatic group		N	N	N			
Switching values (min)	°C	-13/-19	-13/-19	-13/-19			
Switching values (max)	°C	-26/-35	-27/-34	-26/-35			
Motor compressor set ¹⁾							
Voltage / Frequency	V / Hz	220/240-50					
Power output	PS	1/7	1/6	1/7			
Power input	W	95	130	95			
Rated / starting current	A	0,6/3	0,8/4,2	0,6/3			
Resistance main / support winding	Ohm	20/23	16/24	20/23			
Refrigerating capacity	Kcl/h	110	120	110			
Circuit diagram		4	4	4			

1) Caution: Values change with integrated substitute condenser!

VKS-H**Technical Information****H8-420-03-01**

Responsible: K.H.Hiby

Telephone: (0209) 401732

Date: 27.01.1997

Model		IK153.2Z	IK153-2Z	IK153-3Z			
Product no.		923 56 06-06		923 56 06-14			
From product date		9337	9510	9718			
Dimensions	(L x W x H) mm	880/540/540					
Gross capacity	l	150					
Amount of refrigerating agent	g	75	75	75			
Refrigerating agent		R134a	R134a	R134a			
Climatic group		N	N	SN			
Switching values (min)	°C	+3,5/ -10	+3,5/ -10	+3,5/ -10			
Switching values (max)	°C	+3,5/ -30	+3,5/ -30	+3,5/ -30			
Motor compressor set ¹⁾							
Voltage / Frequency	V / Hz	220/240-50					
Power output	PS	1/6	1/6	1/6			
Power input	W	103	130	119			
Rated / starting current	A	0,8/4,2	0,8/4,2	0,88/4,9			
Resistance main / support winding	Ohm	16/20	16/24	14,4/19,6			
Refrigerating capacity	Kcl/h	120	120	115			
Circuit diagram		17	17	2			

1) Caution: Values change with integrated substitute condenser!

VKS-H**Technical Information****H8-420-03-01**

Responsible: K.H.Hiby

Telephone: (0209) 401732

Date: 27.01.1997

Model		IK156.2	IK156.3	IK156-3			
Product no.		923 56 00-46	923 56 06-05				
From product date		9310	9337				
Dimensions	(L x W x H) mm	880/540/540					
Gross capacity	l	150					
Amount of refrigerating agent	g	100	75	75			
Refrigerating agent		R12a	R134a	R134a			
Climatic group		N	N	N			
Switching values (min)	°C	+3,5/ -10	+3,5/ -9	+3,5/ -9			
Switching values (max)	°C	+3,5/ -32	+3,5/ -27	+3,5/ -27			
Motor compressor set ¹⁾							
Voltage / Frequency	V / Hz	220/240-50					
Power output	PS	1/8	1/8	1/8			
Power input	W	93	89	89			
Rated / starting current	A	0,4/2,5	0,5/2,6	0,5/2,7			
Resistance main / support winding	Ohm	25/26	25/26	25/26			
Refrigerating capacity	Kcl/h	98	92	92			
Circuit diagram		2	2	2			

1) Caution: Values change with integrated substitute condenser!

VKS-H**Technical Information****H8-420-03-01**

Responsible: K.H.Hiby

Telephone: (0209) 401732

Date: 27.01.1997

Model		IK163-4Z	IK163.1Z	IK163.4Z			
Product no.		923 63 06-76	923 63 00-56	923 63 06-63			
From product date		9509	9230	9428			
Dimensions	(L x W x H) mm	880/540/540	880/500/540	880/540/540			
Gross capacity	l	160					
Amount of refrigerating agent	g	18	55	18			
Refrigerating agent		R600a	R12a	R600a			
Climatic group		N	N	N			
Switching values (min)	°C	+8,5/ -15	+3,5/ -9	+8,5/ -15			
Switching values (max)	°C	+3/ -26	+3,5/ -27	+3/ -26			
Motor compressor set ¹⁾							
Voltage / Frequency	V / Hz	220/240-50					
Power output	PS	1/10	1/8	1/10			
Power input	W	63	99	63			
Rated / starting current	A	0,4/2	1/7	0,4/2			
Resistance main / support winding	Ohm	36/32	20/60	36/32			
Refrigerating capacity	Kcl/h	73	88	73			
Circuit diagram		2	1	2			

1) Caution: Values change with integrated substitute condenser!

VKS-H**Technical Information****H8-420-03-01**

Responsible: K.H.Hiby

Telephone: (0209) 401732

Date: 27.01.1997

Model		IK166-4	IK166.1	IK166.2	IK166.3	IK166.4	
Product no.		923 63 06-75		923 63 02-73	923 63 06-07	923 63 06-62	
From product date		9509	9222	9309	9337	9428	
Dimensions	(L x W x H) mm	880/540/540	880/540/540	880/500/540	880/540/540	880/540/540	
Gross capacity	l	160					
Amount of refrigerating agent	g	18	55	50	40	18	
Refrigerating agent		R600a		R12a	R134a	R600a	
Climatic group		N	N	N	N	N	
Switching values (min)	°C	+8,5/ -15	+5/ -9	+8,5/ -15	+8,5/ -15	+8,5/ -15	
Switching values (max)	°C	+3/ -26	+5/ -27	+3/ -26	+3/ -26	+3/ -26	
Motor compressor set ¹⁾							
Voltage / Frequency	V / Hz	220/240-50					
Power output	PS	1/10	1/8	1/8	1/8	1/10	
Power input	W	63	109	93	89	63	
Rated / starting current	A	0,4/2	1/7	0,4/2,5	0,5/2,6	0,4/2	
Resistance main / support winding	Ohm	36/32	23/62	25/26	25/26	36/32	
Refrigerating capacity	Kcl/h	73	85	98	92	73	
Circuit diagram		2	1	2	2	2	

1) Caution: Values change with integrated substitute condenser!

VKS-H**Technical Information****H8-420-03-01**

Responsible: K.H.Hiby

Telephone: (0209) 401732

Date: 27.01.1997

Model		IK236.1	IK236.2	IK236.3	IK236-4		
Product no.		923 79 00-76	923 79 00-88	923 79 06-5	923 79 06-55		
From product date		9220	9311	9338	9511		
Dimensions	(L x W x H) mm	1220/540/540					
Gross capacity	l	225					
Amount of refrigerating agent	g	125	125	85	45		
Refrigerating agent		R12a	R12a	R134a	R600a		
Climatic group		N	N	N	N		
Switching values (min)	°C	+3,5/ -10	+3,5/ -10	+3,5/ -10	+5/ -9		
Switching values (max)	°C	+3,5/ -30	+3,5/ -30	+3,5/ -30	+5/ -27		
Motor compressor set ¹⁾							
Voltage / Frequency	V / Hz	115/60	220/240-50	220/240-50	220/240-50		
Power output	PS	1/10	1/6	1/6	1/6		
Power input	W	104	113	105	115		
Rated / starting current	A	1/14	0,5/3	0,6/4	0,8/3,5		
Resistance main / support winding	Ohm	5/15	18/20	18/25	18/20		
Refrigerating capacity	Kcl/h	80	127	125	125		
Circuit diagram		1	2	2	15		

1) Caution: Values change with integrated substitute condenser!

VKS-H**Technical Information****H8-420-03-01**

Responsible: K.H.Hiby

Telephone: (0209) 401732

Date: 27.01.1997

Model		IK246.1	IK246.3	IK246.4	IK246-4		
Product no.		923 44 10-16	923 44 16-05	923 44 16-53			
From product date		9220	9342	9427	9510		
Dimensions	(L x W x H) mm	1220/540/540					
Gross capacity	l	230					
Amount of refrigerating agent	g	120	70	30	30		
Refrigerating agent		R12a	R134a	R600a	R600a		
Climatic group		N	N	N	N		
Switching values (min)	°C	+3,5/ -9	+8,5/ -15	+8,5/ -10,5	+8,5/ -11		
Switching values (max)	°C	+3,5/ -27	+3/ -26	+2,5/ -20	+2,5/ -21		
Motor compressor set ¹⁾							
Voltage / Frequency	V / Hz	220/240-50					
Power output	PS	1/8	1/8	1/10	1/10		
Power input	W	109	77	63	63		
Rated / starting current	A	1/7	0,6/2,9	0,4/2	0,4/2		
Resistance main / support winding	Ohm	23/62	23/25	36/32	36/32		
Refrigerating capacity	Kcl/h	85	91	73	73		
Circuit diagram		1	13	2	2		

1) Caution: Values change with integrated substitute condenser!

VKS-H**Technical Information****H8-420-03-01**

Responsible: K.H.Hiby

Telephone: (0209) 401732

Date: 27.01.1997

Model		IK253-2Z-2T	IK253.2Z-2T	IK253-3Z-2T			
Product no.		925 86 06-10	925 86 06-03	925 86 06-15			
From product date		9510	9341				
Dimensions	(L x W x H) mm	1440/540/540	1440/540/540				
Gross capacity	l	198/47	198/47	200/46			
Amount of refrigerating agent	g	140	140	120			
Refrigerating agent		R134a	R134a	R134a			
Climatic group		N	N	ST			
Switching values (min)	°C	+5/ -10	+5/ -10	+8,5/ -15			
Switching values (max)	°C	+5/ -30	+5/ -29	+3/ -26			
Motor compressor set ¹⁾							
Voltage / Frequency	V / Hz	220/240-50					
Power output	PS	1/5	1/5	1/5			
Power input	W	168	140	168			
Rated / starting current	A	1/5,6	1/5,6	1/5,6			
Resistance main / support winding	Ohm	12/21	12/14	12/21			
Refrigerating capacity	Kcl/h	168	164	168			
Circuit diagram		13	13	15			

1) Caution: Values change with integrated substitute condenser!

VKS-H**Technical Information****H8-420-03-01**

Responsible: K.H.Hiby

Telephone: (0209) 401732

Date: 27.01.1997

Model		IK257.3-2T					
Product no.		925 86 06-02					
From product date		9341					
Dimensions	(L x W x H) mm	1440/540/540					
Gross capacity	l	198/47					
Amount of refrigerating agent	g	140					
Refrigerating agent		R134a					
Climatic group		N					
Switching values (min)	°C	+5/ -10					
Switching values (max)	°C	+5/ -29					
Motor compressor set ¹⁾							
Voltage / Frequency	V / Hz	220/240-50					
Power output	PS	1/5					
Power input	W	148					
Rated / starting current	A	1/6					
Resistance main / support winding	Ohm	11/13					
Refrigerating capacity	Kcl/h	166					
Circuit diagram		13					

1) Caution: Values change with integrated substitute condenser!

VKS-H**Technical Information****H8-420-03-01**

Responsible: K.H.Hiby

Telephone: (0209) 401732

Date: 27.01.1997

Model		IK258.2-2T					
Product no.		9256122-44					
From product date		9310					
Dimensions	(L x W x H) mm	1440/ 540/ 540					
Gross capacity	l	180/ 80					
Amount of refrigerating agent	g	215					
Refrigerating agent		R12a					
Climatic group		N					
Switching values (min)	°C	+3,5/ -12					
Switching values (max)	°C	+3,5/ -32					
Motor compressor set ¹⁾							
Voltage / Frequency	V / Hz	220/240-50					
Power output	PS	1/5					
Power input	W	150					
Rated / starting current	A	0,7/4,7					
Resistance main / support winding	Ohm	12/14					
Refrigerating capacity	Kcl/h	145					
Circuit diagram		12					

1) Caution: Values change with integrated substitute condenser!

VKS-H**Technical Information****H8-420-03-01**

Responsible: K.H.Hiby

Telephone: (0209) 401732

Date: 27.01.1997

Model		IK259-4-2T	IK259.2-2T	IK259.4-2T	IK259-4-2T		
Product no.			925 61 06-12	925 61 06-51			
From product date		9510	9401	9427	9649		
Dimensions	(L x W x H) mm	1440/ 540/ 540			1446/560/550		
Gross capacity	l	170/71			173/76		
Amount of refrigerating agent	g	58	190	58	57		
Refrigerating agent		R600a	R134a	R600a	R600a		
Climatic group		N	N	N	SN		
Switching values (min)	°C	+3,5/ -9	+5/ -10	+3,5/ -9	+5/-10		
Switching values (max)	°C	+3,5/ -27	+5/ -30	+3,5/ -27	+5/-30		
Motor compressor set ¹⁾							
Voltage / Frequency	V / Hz	220/ 240/ 50					
Power output	PS	1/6	1/5	1/6	1/6		
Power input	W	115	149	115	113		
Rated / starting current	A	0,8/3,5	0,8/4,8	0,8/3,5	0,50/5,1		
Resistance main / support winding	Ohm	18/20	12/14	18/20	16,2/22,2		
Refrigerating capacity	Kcl/h	125	169	125	120		
Circuit diagram		16	16	16	22		

1) Caution: Values change with integrated substitute condenser!

VKS-H**Technical Information****H8-420-03-01**

Responsible: K.H.Hiby

Telephone: (0209) 401732

Date: 27.01.1997

Model		IK318-4	IK318.2	IK318.3	IK318.4		
Product no.		925 81 06-59	924 67 00-16	925 81 06-02	925 81 06-50		
From product date		9519	9311	9405	9436		
Dimensions	(L x W x H) mm	1780/ 540/ 540	1780/540/550	1780/540/540	1780/540/540		
Gross capacity	l	265/40					
Amount of refrigerating agent	g	40	90	85	41		
Refrigerating agent		R600a	R12a	R134a	R600a		
Climatic group		N	N	N	N		
Switching values (min)	°C	+4,5/ -16	+4,5/ -16	+4,5/ -16	+4,5/ -16		
Switching values (max)	°C	+4,5/ -30	+4,5/ -30	+4,5/ -30	+4,5/ -30		
Motor compressor set ¹⁾							
Voltage / Frequency	V / Hz	220/240-50	220/240-50-60	220/240-50	220/240-50		
Power output	PS	1/5	1/5	1/5	1/6		
Power input	W	120	164	149	115		
Rated / starting current	A	0,8/4	1/10	0,8/4,8	0,8/3,5		
Resistance main / support winding	Ohm	16/20	12/53	12/14	18/20		
Refrigerating capacity	Kcl/h	140	158	169	125		
Circuit diagram		11	5	11	11		

1) Caution: Values change with integrated substitute condenser!

VKS-H**Technical Information****H8-420-03-01**

Responsible: K.H.Hiby

Telephone: (0209) 401732

Date: 27.01.1997

Model		IK328-4-2T	IK328.2-2T	IK328.3-2T	IK328.3-2T	IK328.4-2T	IK328-4-2T	
Product no.			925 69 00-49	925 69 06-05	925 69 06-07			
From product date		9510	9310	9343	9403	9447	9703	
Dimensions	(L x W x H) mm	1780/540/540					1780/560/550	
Gross capacity	l	220/ 95					212/77	
Amount of refrigerating agent	g	55	140	150	150	55	70	
Refrigerating agent		R600a	R12a	R134a	R134a	R600a	R600a	
Climatic group		N	N	N	N	N	N	
Switching values (min)	°C	+5/ -9	+5/ -10	+5/ -10	+5/ -10	+5/ -9	+5/-9	
Switching values (max)	°C	+5/ -27	+5/ -32	+5/ -29	+5/ -29	+5/ -27	+5/-27	
Motor compressor set ¹⁾								
Voltage / Frequency	V / Hz	220/240-50						
Power output	PS	1/5	1/4	1/4	1/4	---	1/5	
Power input	W	120	175	202	177	---	120	
Rated / starting current	A	0,8/4	1/11	1/6,8	1/6	---	0,8/4	
Resistance main / support winding	Ohm	16/20	9/45	10/23	11/13	---	16/20	
Refrigerating capacity	Kcl/h	140	172	195	198	---	140	
Circuit diagram		2	1	17	2	2	22	

1) Caution: Values change with integrated substitute condenser!

VKS-H**Technical Information****H8-420-03-01**

Responsible: K.H.Hiby

Telephone: (0209) 401732

Date: 27.01.1997

Model		IK458-1-4T	IK458-1-4T	IK458.2-4T	IK458.2-4T		
		Refrigerator	Deep-freezer	Refrigerator	Deep-freezer		
Product no.		924 67 02-02	924 67 02-02	925 78 06-02	925 78 06-02		
From product date		9224	9224	9345	9345		
Dimensions	(L x W x H) mm	1990/860/550					
Gross capacity	l	274/128/45					
Amount of refrigerating agent	g	90	160	75	130		
Refrigerating agent		R12	R12	R134a	R134a		
Climatic group		N	N	N	N		
Switching values (min)	°C	+4,5/ -12	-11/ -20	+4,5/ -12	-11/ -20		
Switching values (max)	°C	+4,5/ -22	-26/ -34	+4,5/-22	-26/ -34		
Motor compressor set ¹⁾							
Voltage / Frequency	V / Hz	220/240-50					
Power output	PS	1/8	1/5	1/8	1/5		
Power input	W	93	150	89	149		
Rated / starting current	A	0,6/3,5	0,7/4,7	0,5/2,7	0,8/4,8		
Resistance main/support winding	Ohm	20/21	12/14	25/26	12/14		
Refrigerating capacity	Kcl/h	83	175	92	169		
Condenser	µF	-	5	-	5		
Circuit diagram				10	10		

1) Caution: Values change with integrated substitute condenser!

VKS-H**Technical Information****H8-420-03-01**

Responsible: K.H.Hiby

Telephone: (0209) 401732

Date: 27.01.1997

Model		IK157-4					
Product no.		923 43 36-53					
From product date		9525					
Dimensions	(L x W x H) mm	880/ 540/ 540					
Gross capacity	l	150					
Amount of refrigerating agent	g	37					
Refrigerating agent		R600a					
Climatic group		N					
Switching values (min)	°C	+5/ -9					
Switching values (max)	°C	+5/ -27					
Motor compressor set ¹⁾							
Voltage / Frequency	V / Hz	220/ 240-50					
Power output	PS	1/9					
Power input	W	70					
Rated / starting current	A	0,5/2,9					
Resistance main / support winding	Ohm	31/30					
Refrigerating capacity	Kcl/h	82					
Circuit diagram		15					

1) Caution: Values change with integrated substitute condenser!

VKS-H**Technical Information****H8-420-03-01**

Responsible: K.H.Hiby

Telephone: (0209) 401732

Date: 27.01.1997

Model		IKE167-4	IKE167-4				
Product no.		923 43 06-61	923 43 06-56				
From product date		9525	9604				
Dimensions	(L x W x H) mm	880/ 540/ 540	873/ 540/ 540				
Gross capacity	l	160	156				
Amount of refrigerating agent	g	22	16				
Refrigerating agent		R600a	R600a				
Climatic group		N	SN				
Switching values (min)	°C	+8,5/ -13	+8,5/ -13,5				
Switching values (max)	°C	+3/ -24	+3/ -24				
Motor compressor set ¹⁾							
Voltage / Frequency	V / Hz	220/ 240-50					
Power output	PS	1/10	1/10				
Power input	W	63	63				
Rated / starting current	A	0,4/2	0,4/2				
Resistance main / support winding	Ohm	36/32	36/32				
Refrigerating capacity	Kcl/h	73	73				
Circuit diagram		15	15				

1) Caution: Values change with integrated substitute condenser!

VKS-H**Technical Information****H8-420-03-01**

Responsible: K.H.Hiby

Telephone: (0209) 401732

Date: 27.01.1997

Model		IKE187-4					
Product no.		923 74 36-54					
From product date		00					
Dimensions	(L x W x H) mm	1025/ 560/ 570					
Gross capacity	l	173					
Amount of refrigerating agent	g	35					
Refrigerating agent		R600a					
Climatic group		SN					
Switching values (min)	°C	+4/ -7					
Switching values (max)	°C	+4/ -30					
Motor compressor set ¹⁾							
Voltage / Frequency	V / Hz	220/ 240-50					
Power output	PS	1/8					
Power input	W	83					
Rated / starting current	A	0,6/2,9					
Resistance main / support winding	Ohm	21/26					
Refrigerating capacity	Kcl/h	97					
Circuit diagram		15					

1) Caution: Values change with integrated substitute condenser!

VKS-H**Technical Information****H8-420-03-01**

Responsible: K.H.Hiby

Telephone: (0209) 401732

Date: 27.01.1997

Model		IKE197-4					
Product no.		923 74 06-53					
From product date		00					
Dimensions	(L x W x H) mm	1030/ 540/ 540					
Gross capacity	l	185					
Amount of refrigerating agent	g	26					
Refrigerating agent		R600a					
Climatic group		SN					
Switching values (min)	°C	+8,5/ -11,8					
Switching values (max)	°C	+3,5/-21,1					
Motor compressor set ¹⁾							
Voltage / Frequency	V / Hz	220/240-50					
Power output	PS	1/10					
Power input	W	63					
Rated / starting current	A	0,4/2					
Resistance main / support winding	Ohm	36/32					
Refrigerating capacity	Kcl/h	73					
Circuit diagram		15					

1) Caution: Values change with integrated substitute condenser!

VKS-H**Technical Information****H8-420-03-01**

Responsible: K.H.Hiby

Telephone: (0209) 401732

Date: 27.01.1997

Model		IKE237-4					
Product no.		923 75 36-56					
From product date		00					
Dimensions	(L x W x H) mm	1220/ 540/ 540					
Gross capacity	l	220					
Amount of refrigerating agent	g	35					
Refrigerating agent		R600a					
Climatic group		SN					
Switching values (min)	°C	+4/ -9					
Switching values (max)	°C	+4/ -27					
Motor compressor set ¹⁾							
Voltage / Frequency	V / Hz	220/ 240-50					
Power output	PS	1/7					
Power input	W	95					
Rated / starting current	A	0,6/3					
Resistance main / support winding	Ohm	20/23					
Refrigerating capacity	Kcl/h	110					
Circuit diagram		15					

1) Caution: Values change with integrated substitute condenser!

VKS-H**Technical Information****H8-420-03-01**

Responsible: K.H.Hiby

Telephone: (0209) 401732

Date: 27.01.1997

Model		IKE238-4-2T	IKE238-4-2T				
		Refrigerator/Freezer	0°C zone				
Product no.		925 61 16-54					
From product date		9715	9715	9715			
Dimensions	(L x W x H) mm	1446/560/550					
Gross capacity	l	141/17	67				
Amount of refrigerating agent	g	30	28				
Refrigerating agent		R600a					
Climatic group		SN					
Switching values (min)	°C	+5/ -9	+5/ -22				
Switching values (max)	°C	+5/ -27					
Motor compressor set ¹⁾							
Voltage / Frequency	V / Hz	220/ 240-50					
Power output	PS	1/8	1/12				
Power input	W	75	55	3,5			
Rated / starting current	A	0,33/3,2	0,28/2,5				
Resistance main/support winding	Ohm	26,9/28,1	34,2/46,3				
Refrigerating capacity	Kcl/h	88	55				
Speed	rpm	--	--	1900			
Circuit diagram		21					

1) Caution: Values change with integrated substitute condenser!

VKS-H**Technical Information****H8-420-03-01**

Responsible: K.H.Hiby

Telephone: (0209) 401732

Date: 27.01.1997

Model		IKE257-4-2T					
Product no.		925 86 06-55					
From product date		9629					
Dimensions	(L x W x H) mm	1446/ 560/ 550					
Gross capacity	l	200/46					
Amount of refrigerating agent	g	53					
Refrigerating agent		R600a					
Climatic group		SN					
Switching values (min)	°C	+5/ -9					
Switching values (max)	°C	+5/ -27					
Motor compressor set ¹⁾							
Voltage / Frequency	V / Hz	220/ 240-50					
Power output	PS	1/5					
Power input	W	120					
Rated / starting current	A	0,8/4					
Resistance main / support winding	Ohm	16/20					
Refrigerating capacity	Kcl/h	140					
Circuit diagram		15					

1) Caution: Values change with integrated substitute condenser!

VKS-H**Technical Information****H8-420-03-01**

Responsible: K.H.Hiby

Telephone: (0209) 401732

Date: 27.01.1997

Model		IKU157-4	IKU157.1	IKU157.2	IKU157.4		
Product no.		923 86 36-52	928 46 05-10	923 86 36-00			
From product date		9520	9216	9403	9438		
Dimensions	(L x W x H) mm	820/ 60/ 550	815/ 600/ 540	820/ 600/ 550	820/ 600/ 550		
Gross capacity	l	150	140	150	150		
Amount of refrigerating agent	g	39	85	95	39		
Refrigerating agent		R600a	R12a	R134a	R600a		
Climatic group		N	N	N	N		
Switching values (min)	°C	+5/ -15	+4,5/ -16	+4,5/ -16	+5/ -15		
Switching values (max)	°C	+5/ -26	+4,5/ -30	+4,5/ -30	+5/ -26		
Motor compressor set ¹⁾							
Voltage / Frequency	V / Hz	220/ 240-50					
Power output	PS	1/8	1/12	1/8	1/8		
Power input	W	83	76	100	83		
Rated / starting current	A	0,6/2,9	0,5/2,8	0,6/2,9	0,6/2,9		
Resistance main / support winding	Ohm	21/26	30/41	23/25	21/26		
Refrigerating capacity	Kcl/h	97	58	92	97		
Circuit diagram		7	8	17	7		

1) Caution: Values change with integrated substitute condenser!

VKS-H**Technical Information****H8-420-03-01**

Responsible: K.H.Hiby

Telephone: (0209) 401732

Date: 27.01.1997

Model		IKU167.2	IKU167-4				
Product no.		923 86 06-00	923 86 06-52				
From product date		9402	9516				
Dimensions	(L x W x H) mm	820/ 600/ 550	820/ 600/ 500				
Gross capacity	l	155	160				
Amount of refrigerating agent	g	45	26				
Refrigerating agent		R134a	R600a				
Climatic group		N	N				
Switching values (min)	°C	+4,5/ -16	+8,5/ -11				
Switching values (max)	°C	+4,5/ -30	+2,5/ -21,5				
Motor compressor set ¹⁾							
Voltage / Frequency	V / Hz	220/ 240-50					
Power output	PS	1/8	1/9				
Power input	W	100	70				
Rated / starting current	A	0,6/2,9	0,5/2,9				
Resistance main / support winding	Ohm	23/25	31/30				
Refrigerating capacity	Kcl/h	92	82				
Circuit diagram		17	2				

1) Caution: Values change with integrated substitute condenser!

VKS-H**Technical Information****H8-420-03-01**

Responsible: K.H.Hiby

Telephone: (0209) 401732

Date: 27.01.1997

Model		IT123-2Z	IT123.2Z	IT123-3Z			
Product no.			922 70 06-07	922 50 06-23			
From product date		9510	9341	9718			
Dimensions	(L x W x H) mm	880/ 540/ 540	850/ 550/ 600	880/ 560/ 550			
Gross capacity	l	120	125	120			
Amount of refrigerating agent	g	80	68	80			
Refrigerating agent		R134a	R134a	R134a			
Climatic group		N	N	SN			
Switching values (min)	°C	-10/ -13	-10/ -13	-10/ -13			
Switching values (max)	°C	-28/ -34	-28/ -34	-28/ -34			
Motor compressor set ¹⁾							
Voltage / Frequency	V / Hz	220/240-50					
Power output	PS	1/6	1/6	1/6			
Power input	W	130	103	118			
Rated / starting current	A	0,8/4,2	0,8/4,2	0,59/5,1			
Resistance main / support winding	Ohm	16/24	16/20	16,2/22,2			
Refrigerating capacity	Kcl/h	120	120	133			
Circuit diagram		3	3	3			

1) Caution: Values change with integrated substitute condenser!

VKS-H**Technical Information****H8-420-03-01**

Responsible: K.H.Hiby

Telephone: (0209) 401732

Date: 27.01.1997

Model		IT126-3	IT126.1	IT126.3			
Product no.			922 70 01-25	922 70 06 -06			
From product date		9510	9309	9341			
Dimensions	(L x W x H) mm	880/ 540/ 540	850/ 550/ 600	850/ 550/ 600			
Gross capacity	l	120	125	125			
Amount of refrigerating agent	g	80	80	68			
Refrigerating agent		R134a	R12a	R134a			
Climatic group		N	N	N			
Switching values (min)	°C	-10/ -13	-10/ -13	-10/ -13			
Switching values (max)	°C	-28/ -34	-27/ -34	-28/ -34			
Motor compressor set ¹⁾							
Voltage / Frequency	V / Hz	220/ 240-50					
Power output	PS	1/6	1/6	1/6			
Power input	W	112	113	112			
Rated / starting current	A	0,8/6	0,5/3	0,8/6			
Resistance main / support winding	Ohm	14/17	18/20	14/17			
Refrigerating capacity	Kcl/h	122	127	122			
Circuit diagram		3	3	3			

1) Caution: Values change with integrated substitute condenser!

VKS-H**Technical Information****H8-420-03-01**

Responsible: K.H.Hiby

Telephone: (0209) 401732

Date: 27.01.1997

Model		UK144.1	UK144.2	UK144-2			
Product no.		923 51 00-53	923 51 06-01	923 51 06-02			
From product date		9140	9345	9514			
Dimensions	(L x W x H) mm	820/ 500/ 580					
Gross capacity	l	140					
Amount of refrigerating agent	g	70	53	53			
Refrigerating agent			R134a	R134a			
Climatic group		N	N	N			
Switching values (min)	°C	-1/ -8	-1/ -8,5	-1/ -8,5			
Switching values (max)	°C	-18/ -28	-18/ -28	-16/ -28			
Motor compressor set ¹⁾							
Voltage / Frequency	V / Hz	220/ 240-50					
Power output	PS	1/8	1/8	1/8			
Power input	W	95	100	95			
Rated / starting current	A	0,7/2,5	0,6/2,9	0,6/3,2			
Resistance main / support winding	Ohm	20/27	23/25	20/21			
Refrigerating capacity	Kcl/h	83	92	83			
Circuit diagram		19	19	19			

1) Caution: Values change with integrated substitute condenser!

VKS-H**Technical Information****H8-420-03-01**

Responsible: K.H.Hiby

Telephone: (0209) 401732

Date: 27.01.1997

Model		UK176-2	UK176,1	UK176.2			
Product no.		923 71 06-02	923 71 00-12	923 71 06-01			
From product date		9519	9218	9342			
Dimensions	(L x W x H) mm	820/ 600/ 550	820/ 600/ 580	820/ 600/550			
Gross capacity	l	170	170	170			
Amount of refrigerating agent	g	75	120	75			
Refrigerating agent		R134a	R12a	R134a			
Climatic group		N	N	N			
Switching values (min)	°C	+5/ -9	+5/ -10	+5/ -10			
Switching values (max)	°C	+5/ -27	+5/ -30	+5/ -29			
Motor compressor set ¹⁾							
Voltage / Frequency	V / Hz	220/ 240-50					
Power output	PS	1/8	1/10	1/6			
Power input	W	100	90	103			
Rated / starting current	A	0,6/2,9	0,6/6	0,8/4,2			
Resistance main / support winding	Ohm	23/25	25/66	16/20			
Refrigerating capacity	Kcl/h	92	76	120			
Circuit diagram		14	20	14			

1) Caution: Values change with integrated substitute condenser!

VKS-H**Technical Information****H8-420-03-01**

Responsible: K.H.Hiby

Telephone: (0209) 401732

Date: 27.01.1997

Model		UK177-4					
Product no.		923 71 06-51					
From product date		00					
Dimensions	(L x W x H) mm	820/ 600/ 550					
Gross capacity	l	150					
Amount of refrigerating agent	g	40					
Refrigerating agent		R600a					
Climatic group		ST					
Switching values (min)	°C	+3,5/ -11					
Switching values (max)	°C	+3,5/ -30					
Motor compressor set ¹⁾							
Voltage / Frequency	V / Hz	220/ 240-50					
Power output	PS	1/9					
Power input	W	70					
Rated / starting current	A	0,5/2,9					
Resistance main / support winding	Ohm	31/30					
Refrigerating capacity	Kcl/h	82					
Circuit diagram		18					

1) Caution: Values change with integrated substitute condenser!

VKS-H**Technical Information****H8-420-03-01**

Responsible: K.H.Hiby

Telephone: (0209) 401732

Date: 27.01.1997

Model		UK186.2	UK186-4				
Product no.		923 73 06-00	923 73 06-51				
From product date		9343	9517				
Dimensions	(L x W x H) mm	820/ 600/ 600					
Gross capacity	l	170					
Amount of refrigerating agent	g	60	22				
Refrigerating agent		R134a	R600a				
Climatic group		N	N				
Switching values (min)	°C	+8,5/ -11	+8,5/ -11				
Switching values (max)	°C	+2,5/ -21,5	+2,5/ -21,5				
Motor compressor set ¹⁾							
Voltage / Frequency	V / Hz	220/240-50					
Power output	PS	1/10	1/10				
Power input	W	60	63				
Rated / starting current	A	0,5/2,9	0,4/2				
Resistance main / support winding	Ohm	27/29	36/32				
Refrigerating capacity	Kcl/h	70	73				
Circuit diagram		17	2				

1) Caution: Values change with integrated substitute condenser!

VKS-H**Technical Information****H8-420-03-01**

Responsible: K.H.Hiby

Telephone: (0209) 401732

Date: 27.01.1997

Model		UK187-4					
Product no.		923 73 06-52					
From product date		9629					
Dimensions	(L x W x H) mm	820/ 600/ 550					
Gross capacity	l	165					
Amount of refrigerating agent	g	38					
Refrigerating agent		R600a					
Climatic group		SN					
Switching values (min)	°C	+8,5/ -15					
Switching values (max)	°C	+3/ -26					
Motor compressor set ¹⁾							
Voltage / Frequency	V / Hz	220/ 240-50					
Power output	PS	1/10					
Power input	W	63					
Rated / starting current	A	0,4/2					
Resistance main / support winding	Ohm	36/32					
Refrigerating capacity	Kcl/h	73					
Circuit diagram		18					

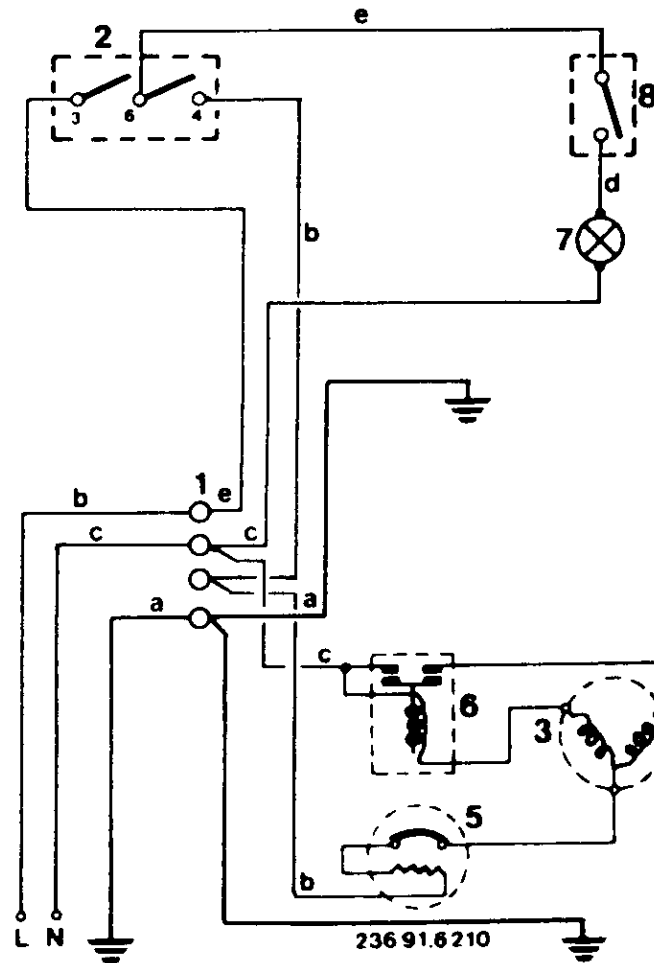
1) Caution: Values change with integrated substitute condenser!

Responsible: K.H.Hiby

Telephone: (0209) 401732

Date: 27.01.1997

No.1



- 1 Terminal board
- 2 Thermostat
- 3 Condenser
- 4 Main switch
- 5 Engine protection plate
- 6 Relay
- 7 Interior light
- 8 Light switch
- 9 NORMAL switch
- 10 SUPER switch
- 11 Pilot lamp
- 12 Fan
- 13 Defrost resistor
- 14 Anti-condensation resistor
- 15 Sound signal
- 16 Flash light switch
- 17 Electro valve
- 18 Temperature probe
- 19 Defrost drainage channel heating resistor
- 20 Timer switch
- 21 Thermo safety device
- 22 Capacitor

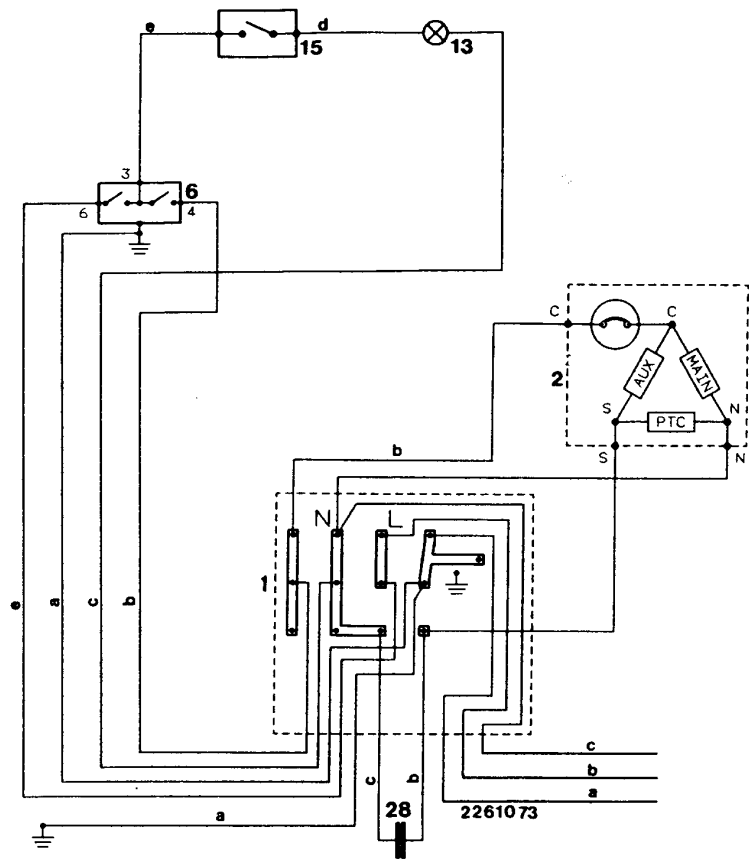
- a yellow-green
- b brown
- c light blue
- d white
- e black
- f grey
- g red

Responsible: K.H.Hiby

Telephone: (0209) 401732

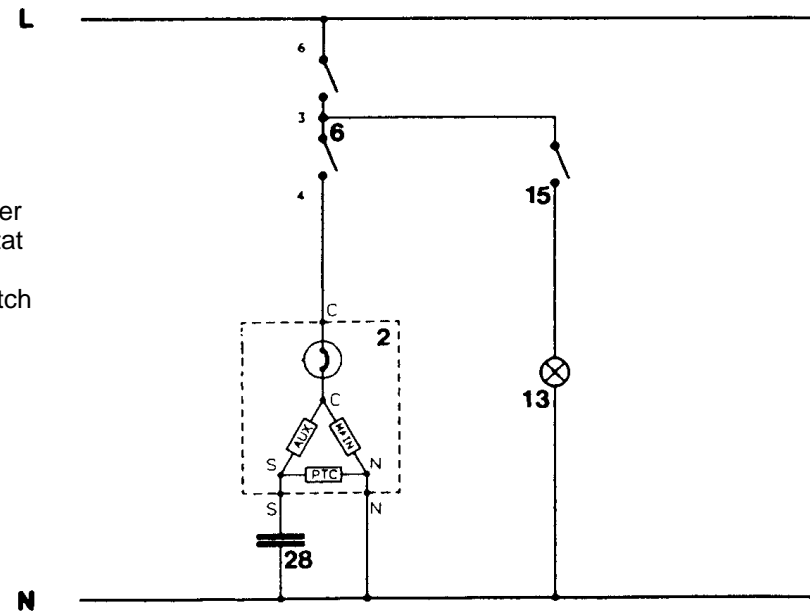
Date: 27.01.1997

No. 2



- 1 Terminal board
- 2 Refrigerator condenser
- 6 Refrigerator thermostat
- 13 Refrigerator light
- 15 Refrigerator door switch

- a yellow-green
- b brown
- c blue
- d white
- e black

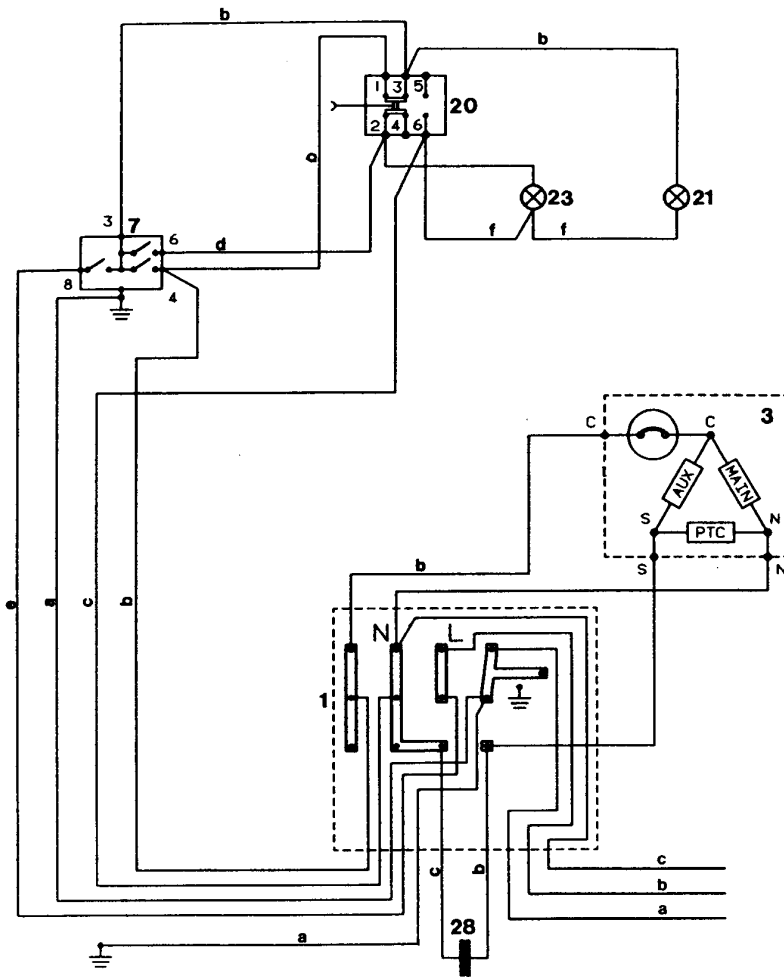


Responsible: K.H.Hiby

Telephone: (0209) 401732

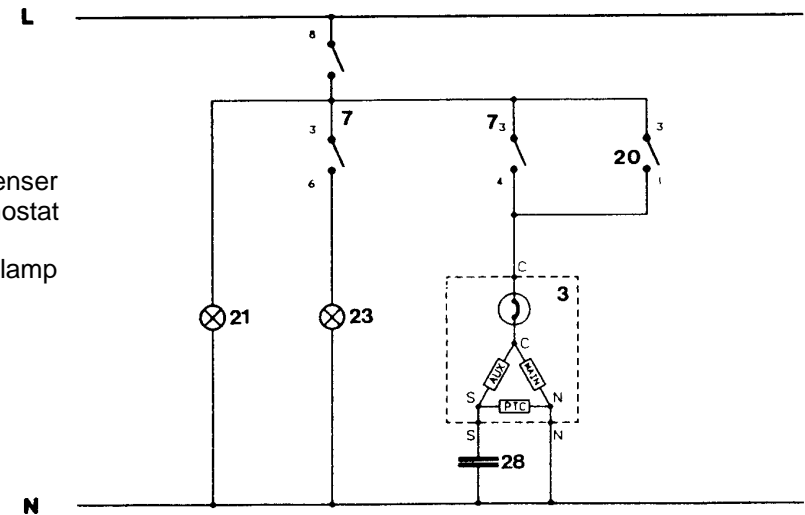
Date: 27.01.1997

No. 3



- 1 Terminal board
- 3 Deep-freezer condenser
- 7 Deep-freezer thermostat
- 20 Fast-freeze switch
- 21 Power-on indicator lamp
- 23 Alarm signal lamp
- 28 Capacitor

- a yellow-green
- b brown
- c blue
- d white
- e black
- f grey

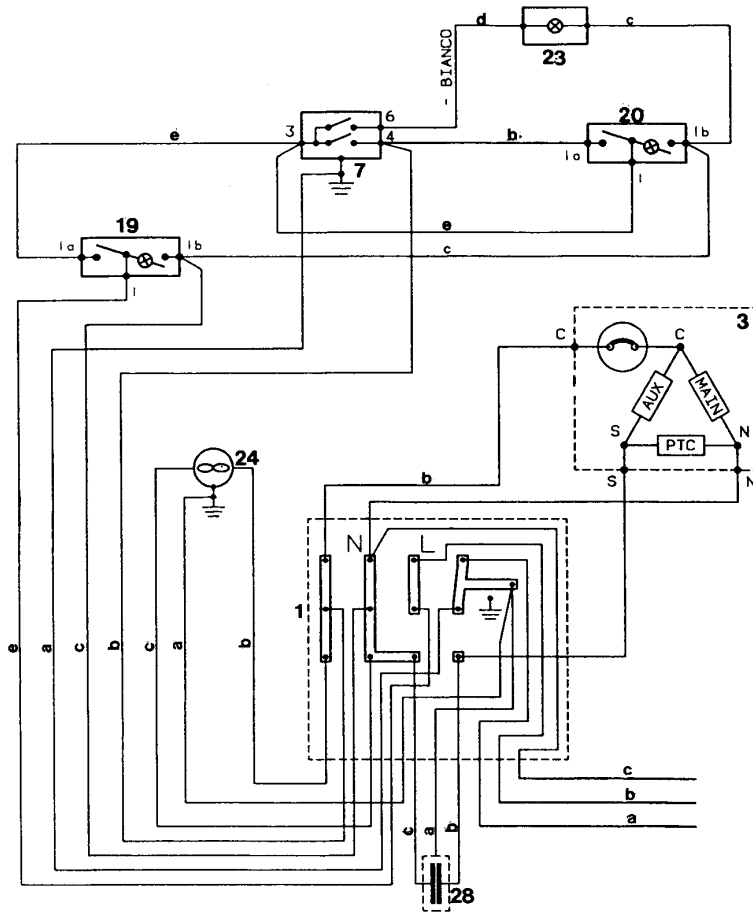


Responsible: K.H.Hiby

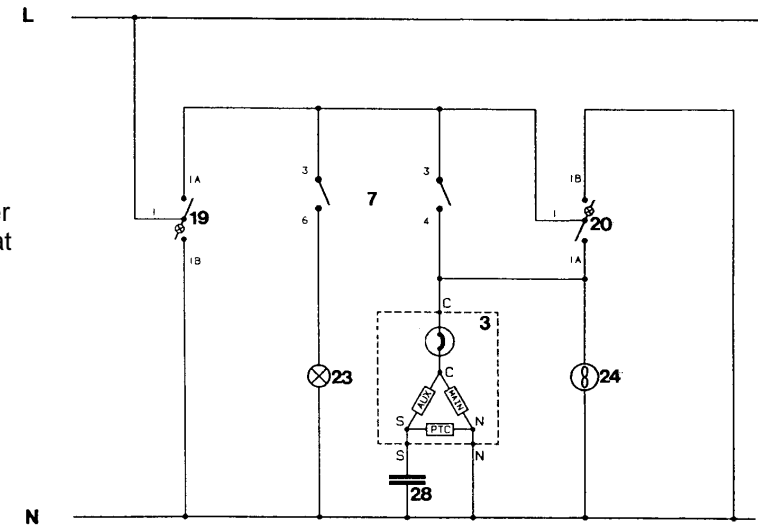
Telephone: (0209) 401732

Date: 27.01.1997

No.4



- 1 Terminal board
 - 3 Deep-freezer condenser
 - 7 Deep-freezer thermostat
 - 19 ON/OFF switch
 - 20 Fast-freeze switch
 - 23 Alarm signal lamp
 - 24 Fan
 - 28 Capacitor
- a yellow-green
 - b brown
 - c blue
 - d white
 - e black

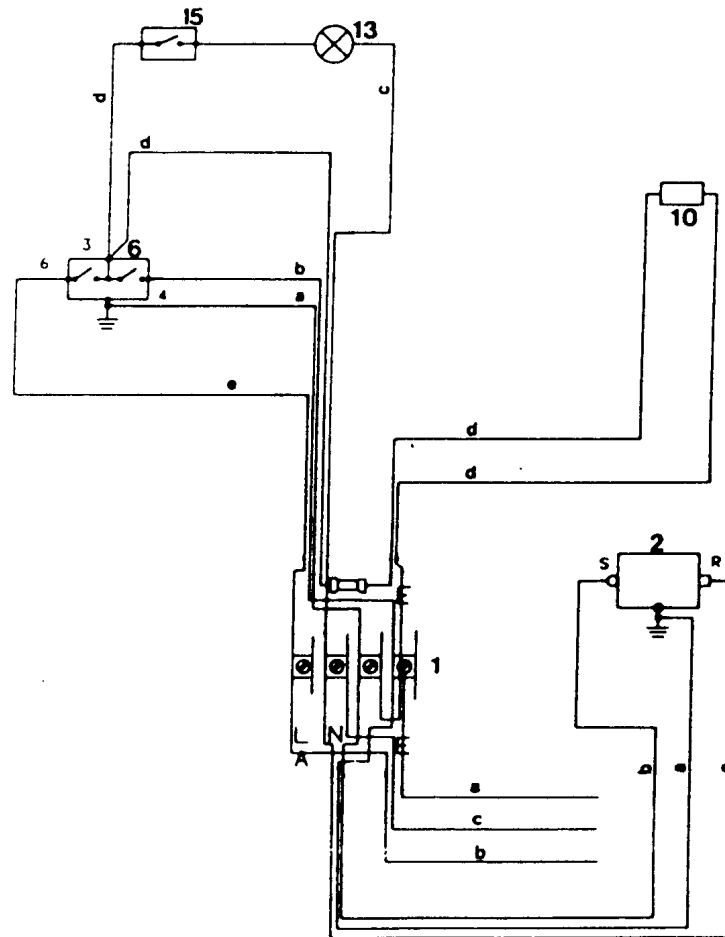


Responsible: K.H.Hiby

Telephone: (0209) 401732

Date: 27.01.1997

No.5



- 1 Terminal board
- 2 Refrigerator condenser
- 6 Refrigerator thermostat
- 10 Balancing resistor
- 13 Refrigerator light
- 15 Refrigerator door switch
- 28 Capacitor

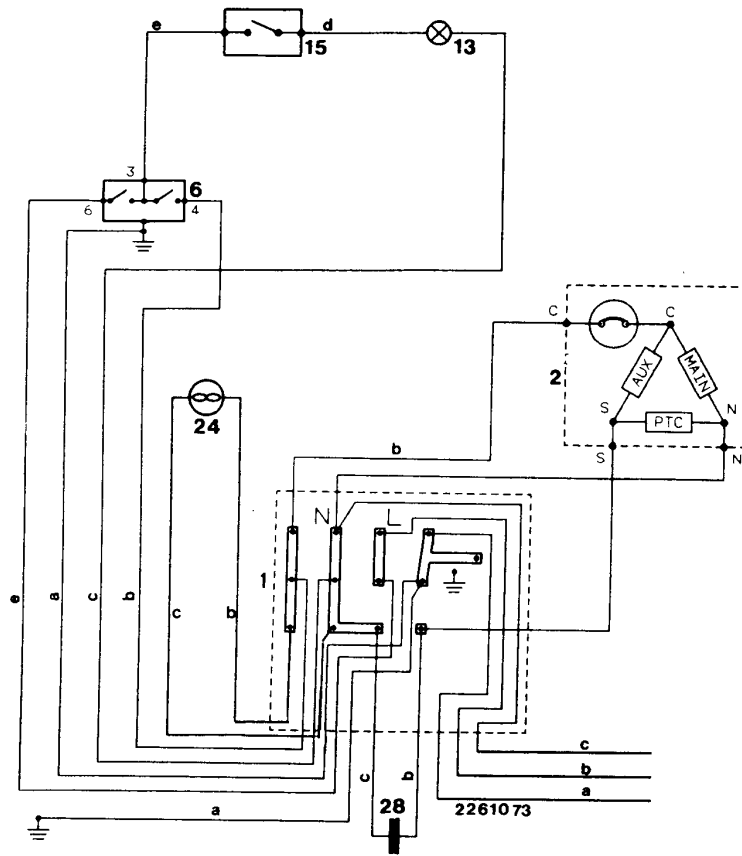
- a yellow-green
- b brown
- c blue
- d white
- e black

Responsible: K.H.Hiby

Telephone: (0209) 401732

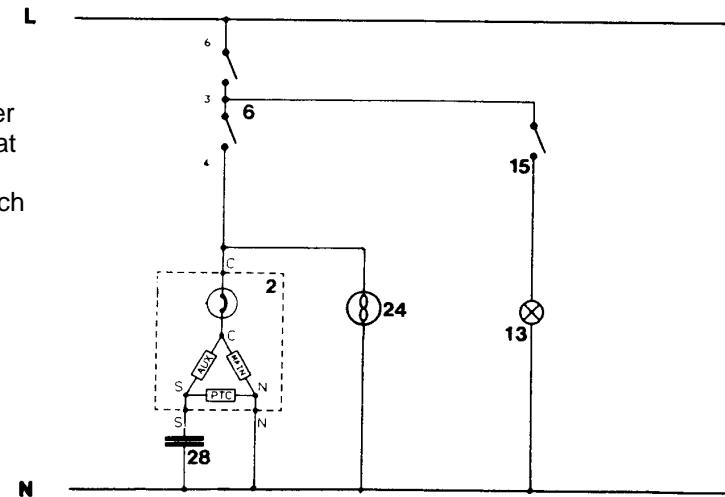
Date: 27.01.1997

No.7



- 1 Terminal board
- 2 Refrigerator condenser
- 6 Refrigerator thermostat
- 13 Refrigerator light
- 15 Refrigerator door switch
- 24 Fan
- 28 Capacitor

- a yellow-green
- b brown
- c blue
- d white
- e black



VKS-H

Technical Information

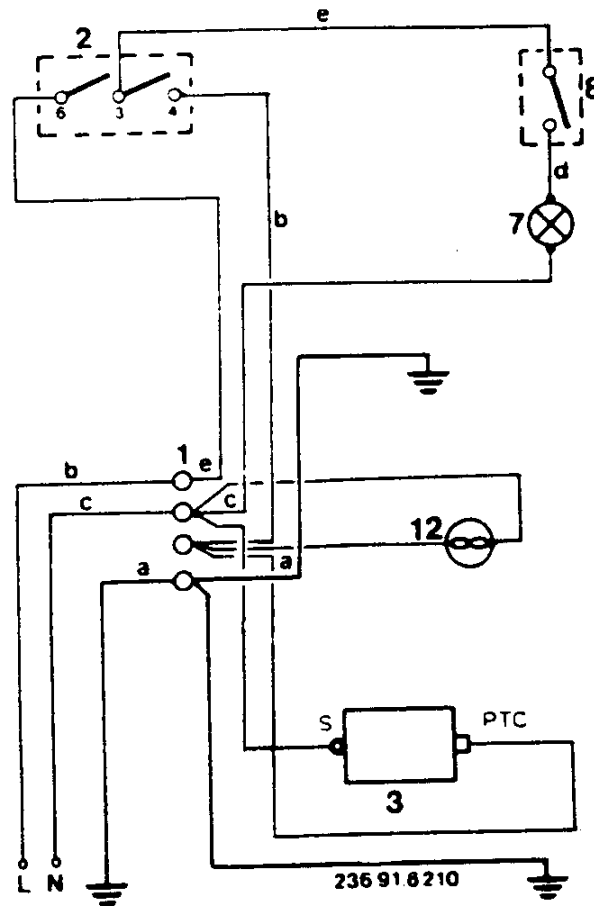
H8-420-03-01

Responsible: K.H.Hiby

Telephone: (0209) 401732

Date: 27.01.1997

No.8



- 1 Terminal board
- 2 Thermostat
- 3 Compressor
- 4 Main switch
- 5 Engine protection plate
- 6 Relay
- 7 Interior light
- 8 Light switch
- 9 NORMAL switch
- 10 SUPER switch
- 11 Pilot lamp
- 12 Fan
- 13 Defrost resistor
- 14 Anti-condensation resistor
- 15 Sound signal
- 16 Flash light switch
- 17 Electro valve
- 18 Temperature probe
- 19 Defrost drainage channel heating resistor
- 20 Timer switch
- 21 Thermo safety device
- 22 Capacitor

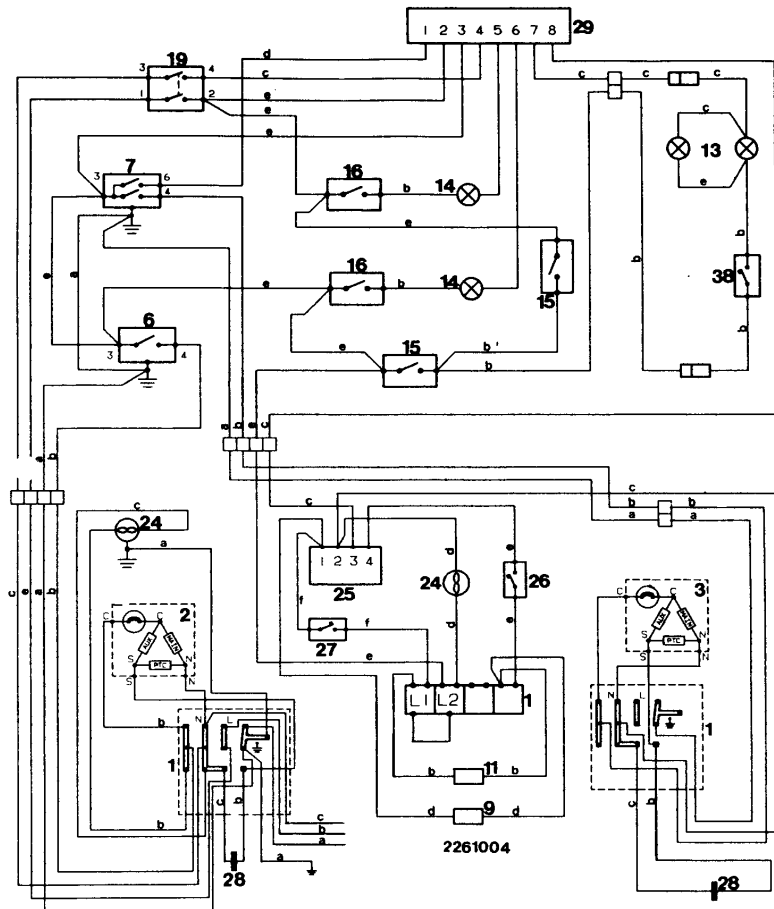
- a yellow-green
b brown
c light blue
d white
e black
f grey
g red

Responsible: K.H.Hiby

Telephone: (0209) 401732

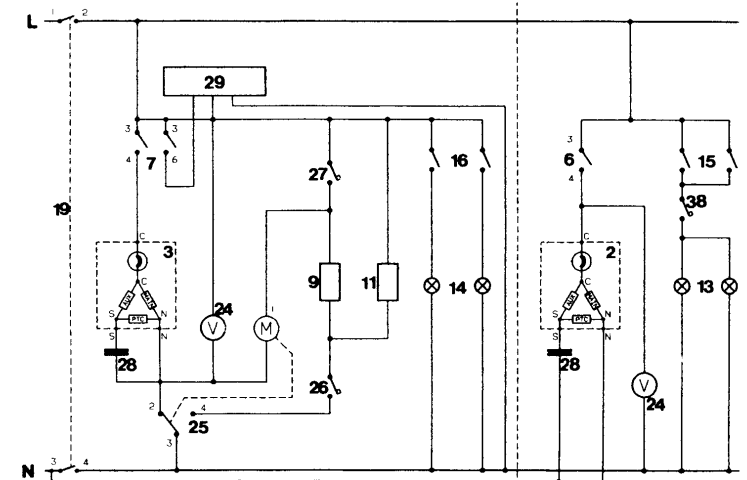
Date: 27.01.1997

No.10



- 1 Terminal board
- 2 Refrigerator condenser
- 3 Deep-freezer condenser
- 6 Refrigerator thermostat
- 7 Deep-freezer thermostat
- 9 Defrost drainage channel heating resistor
- 11 Heating resistance of water gutter
- 13 Refrigerator light
- 14 Deep-freezer light
- 15 Refrigerator door switch
- 16 Deep-freezer door switch
- 19 ON/OFF switch
- 24 Fan
- 25 Timer switch
- 26 Safety thermo switch
- 27 Defrost thermo switch
- 28 Capacitor
- 29 Electronic thermometer
- 38 Safety micro switch

- a yellow-green
- b brown
- c blue
- d white
- e black
- f grey
- g red



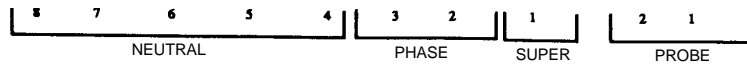
Responsible: K.H.Hiby

Telephone: (0209) 401732

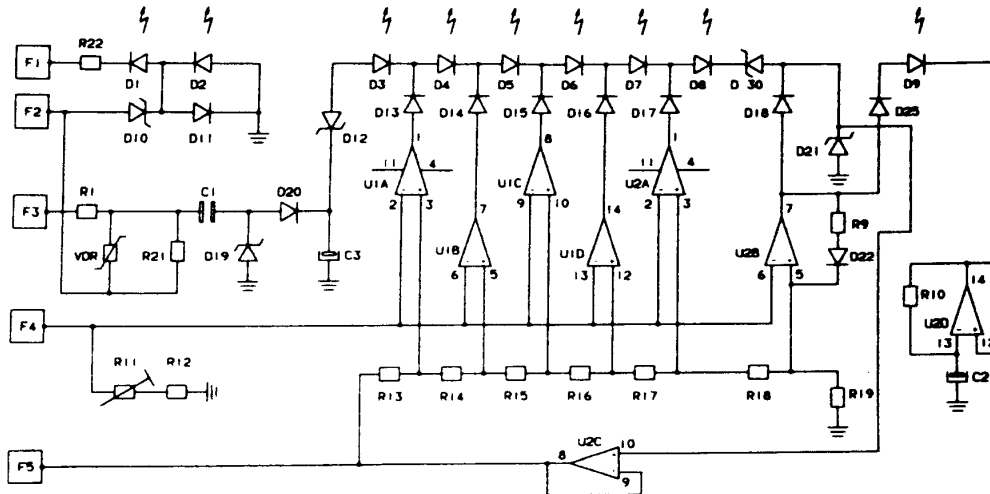
Date: 27.01.1997

No.10

Input contacts of printed circuit board



Electronic thermometer (printed circuit board) 16 mm FR2 VO



F1- Input fast freeze - YELLOW LED (contact no. 1 on printed circuit board)

F2- Phase voltage (contact no. 2 on printed circuit board)

F3- Neutral voltage (contacts no. 4 - 8 on printed circuit board)

F4- PS Probe (contacts no. 1 - 2 on printed circuit board)

COMPONENTS

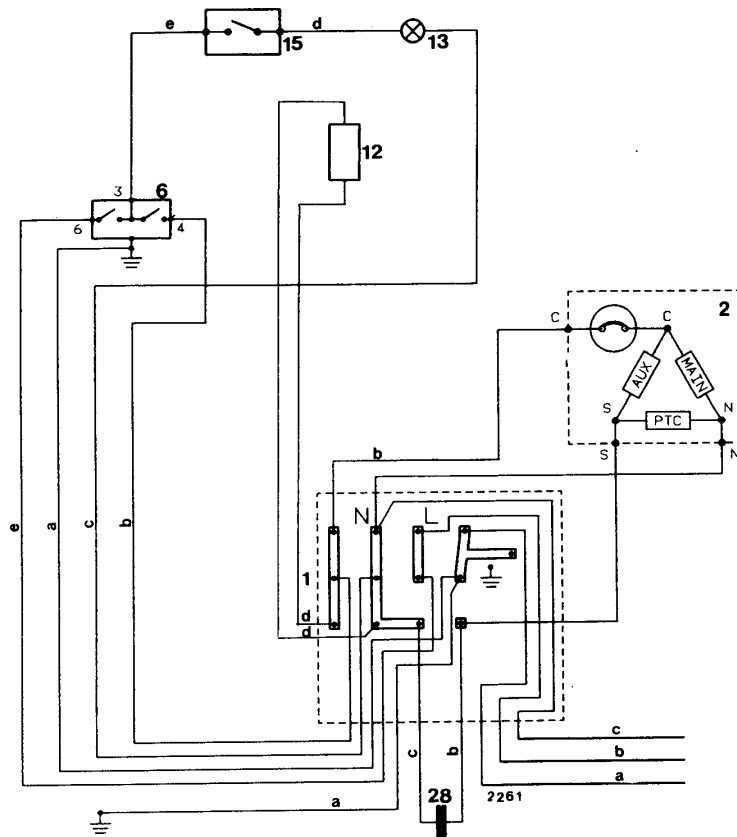
R10	SAFETY FUSE HEATING RESISTOR	100R 2W
R9-10	HEATING RESISTOR	220K 1/4 5%
R22	HEATING RESISTOR OXYD	1K 1W 5%
R11	TRIMMING RESISTOR	100R PT 10
R12	HEATING RESISTOR	1K33 1/2 1%
R13	HEATING RESISTOR	2K05 1/2 1%
R14	HEATING RESISTOR	20R 1/2 1%
R15-16-17	HEATING RESISTOR	27R 1/2 1%
R18	HEATING RESISTOR	15R 1/2 1%
R19	HEATING RESISTOR	1K96 1/2 1%
R21	HEATING RESISTOR	470K 1/4 5%
VDR	VARISTOR	275V
C1	POLYESTER CAPACITOR	470nF 400V
C2	ELECTROLYTIC CAPACITOR	1mcF 25V
C3	ELECTROLYTIC CAPACITOR	47 mcF 25V
D1	LED	GIALLO
D2	LED (wire)	VERDE
D3-4-5-6-7-8	LED (temperature)	GR
D9	LED (alarm)	ROSSO
D10	ZENER DIODE	C4V3 1/2W
D11-20	DIODE	IN 4007
D12-21-30	ZENER DIODE	C3V3 1/2W
D13-14-15-16-17-18-22-25	DIODE	IN 4148
D19	ZENER DIODE	C24V0 1/2W
IC1-IC2	INTEGRATED CIRCUIT	LM 324

Responsible: K.H.Hiby

Telephone: (0209) 401732

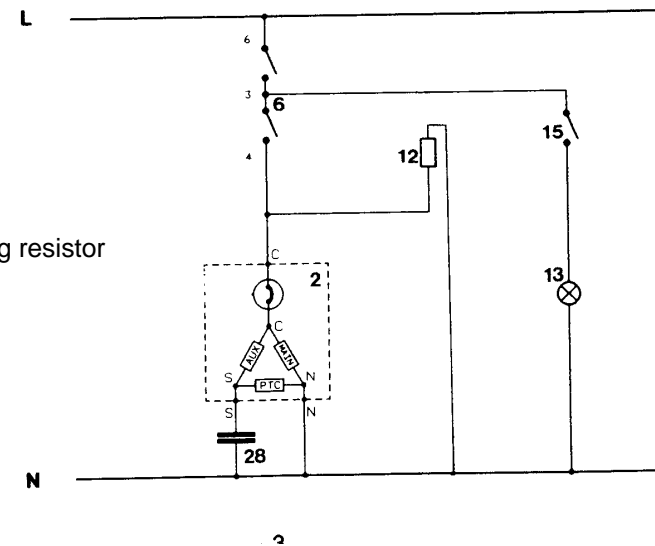
Date: 27.01.1997

No.11



- 1 Terminal board
- 2 Refrigerator condenser
- 6 Refrigerator thermostat
- 12 Anti-condensation heating resistor
- 13 Refrigerator light
- 15 Refrigerator door switch
- 28 Capacitor

- a yellow-green
- b brown
- c blue
- d white
- e black

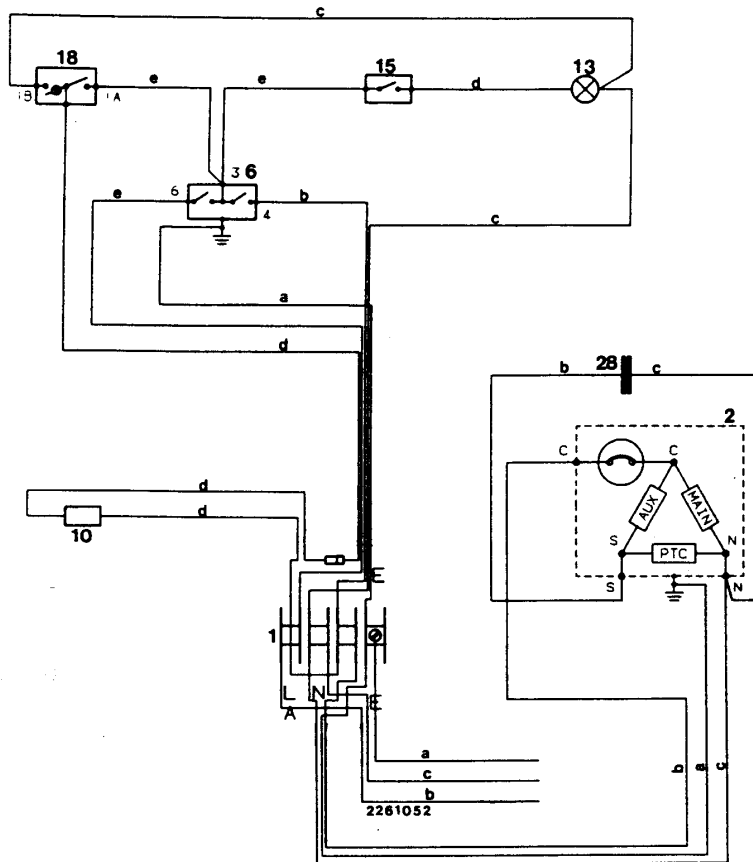


Responsible: K.H.Hiby

Telephone: (0209) 401732

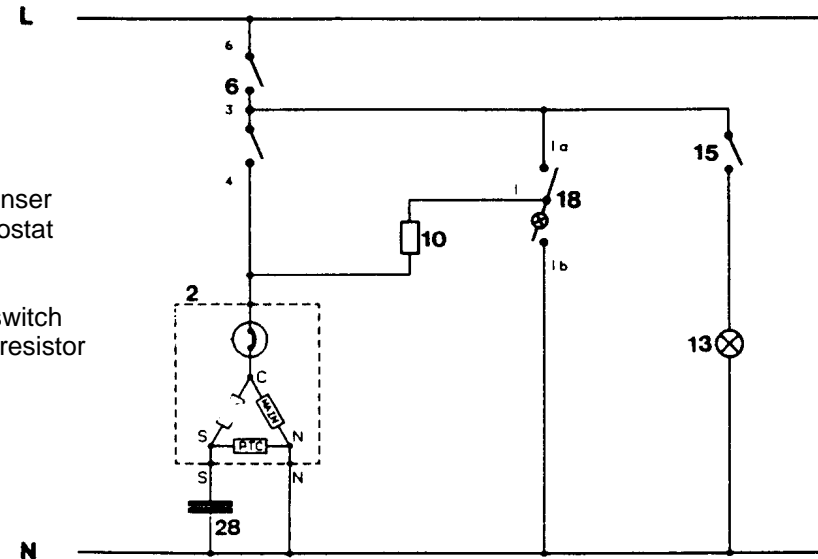
Date: 27.01.1997

No.12



- 1 Terminal board
- 2 Refrigerator condenser
- 6 Refrigerator thermostat
- 10 Balancing resistor
- 13 Refrigerator light
- 15 Refrigerator door switch
- 18 Balancing heating resistor switch
- 28 Capacitor

- a yellow-green
- b brown
- c blue
- d white
- e black
- f grey
- g red

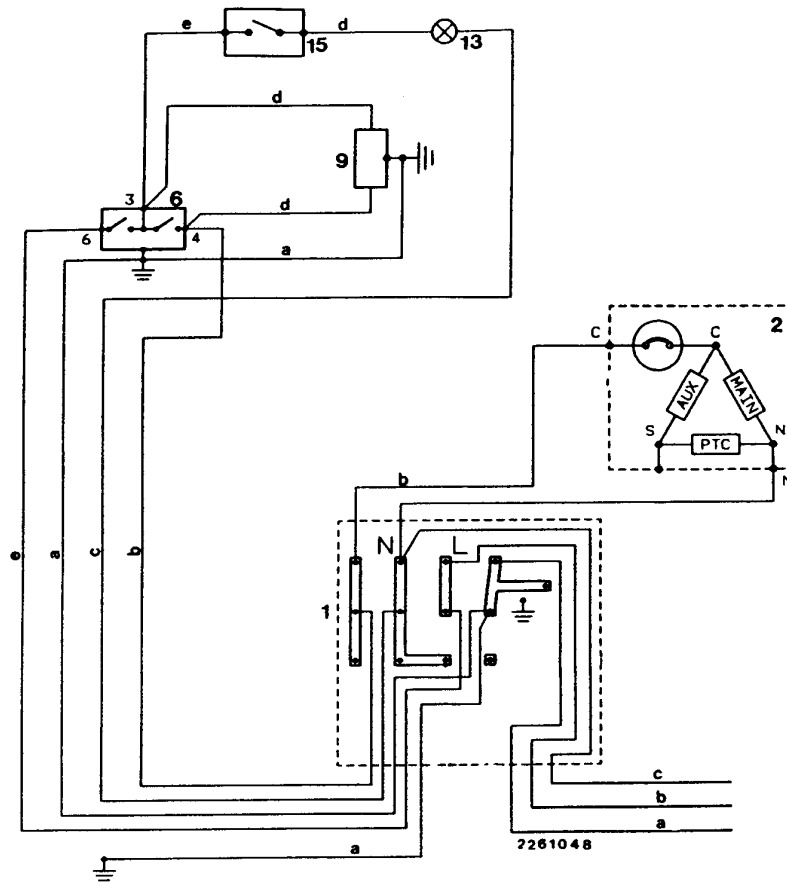


Responsible: K.H.Hiby

Telephone: (0209) 401732

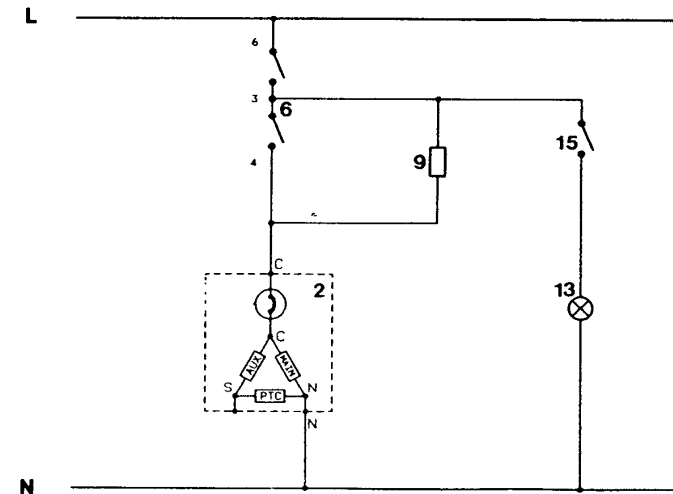
Date: 27.01.1997

No.13



- 1 Terminal board
- 2 Refrigerator condenser
- 6 Refrigerator thermostat
- 9 Defrost resistor
- 13 Refrigerator light
- 15 Refrigerator door switch

- a yellow-green
- b brown
- c blue
- d white
- e black

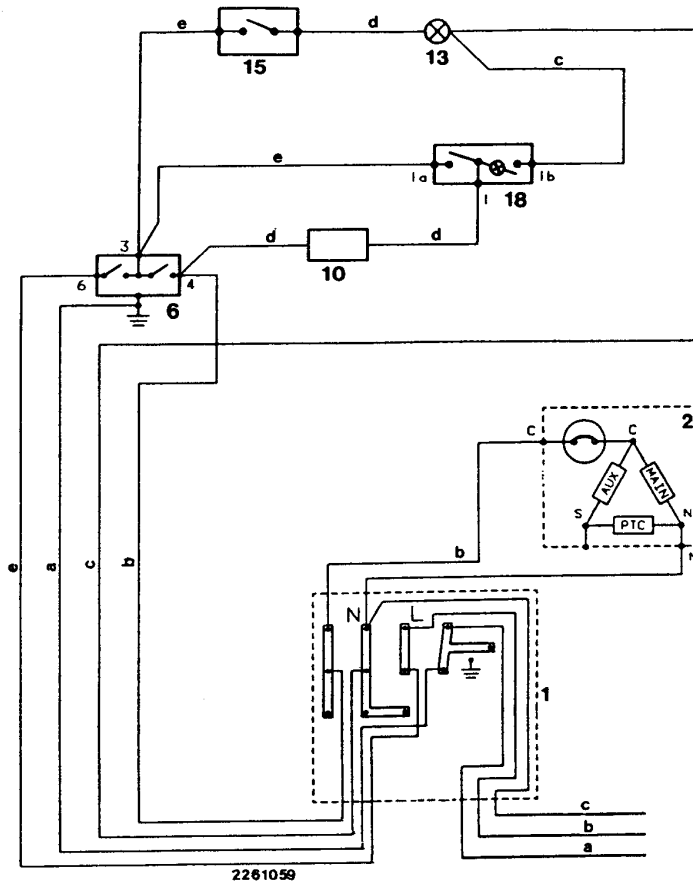


Responsible: K.H.Hiby

Telephone: (0209) 401732

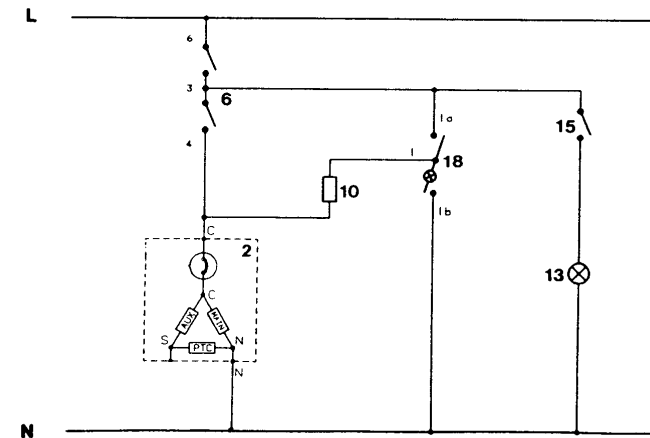
Date: 27.01.1997

No.14



- 1 Terminal board
- 2 Refrigerator condenser
- 6 Refrigerator thermostat
- 10 Balancing resistor
- 13 Refrigerator light
- 15 Refrigerator door switch
- 18 Balancing heating resistor switch

- a yellow-green
- b brown
- c blue
- d white
- e black
- f grey
- g red

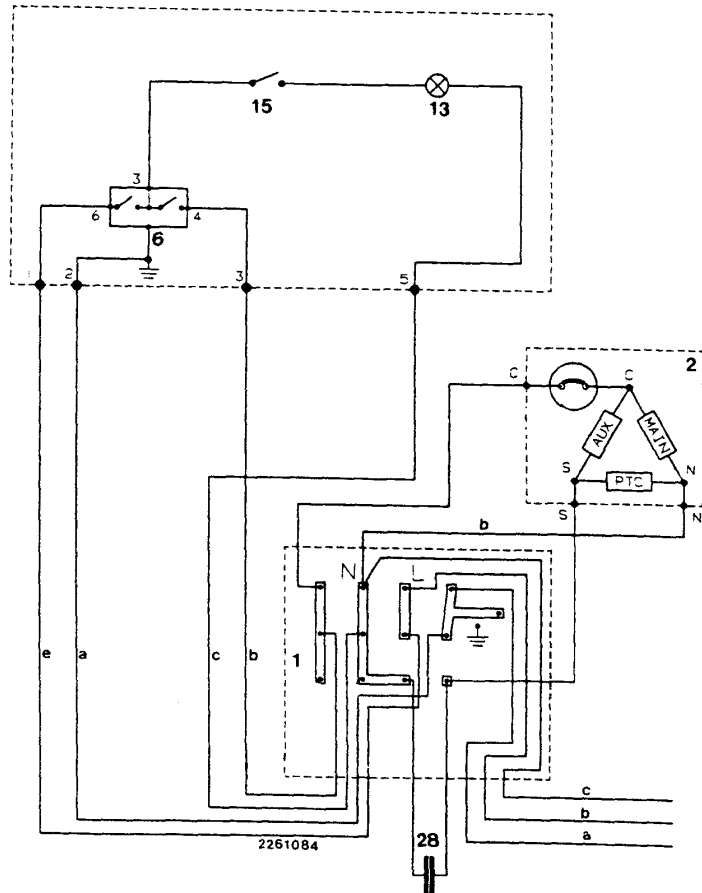


Responsible: K.H.Hiby

Telephone: (0209) 401732

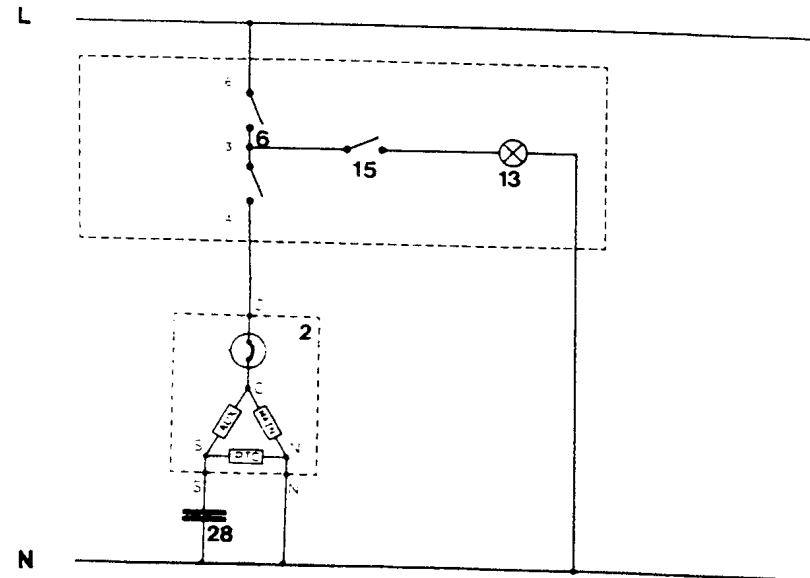
Date: 27.01.1997

No.15



- 1 Terminal board
- 2 Refrigerator condenser
- 6 Refrigerator thermostat
- 13 Refrigerator light
- 15 Refrigerator door switch
- 28 Capacitor

- a yellow-green
- b brown
- c blue
- d white
- e black

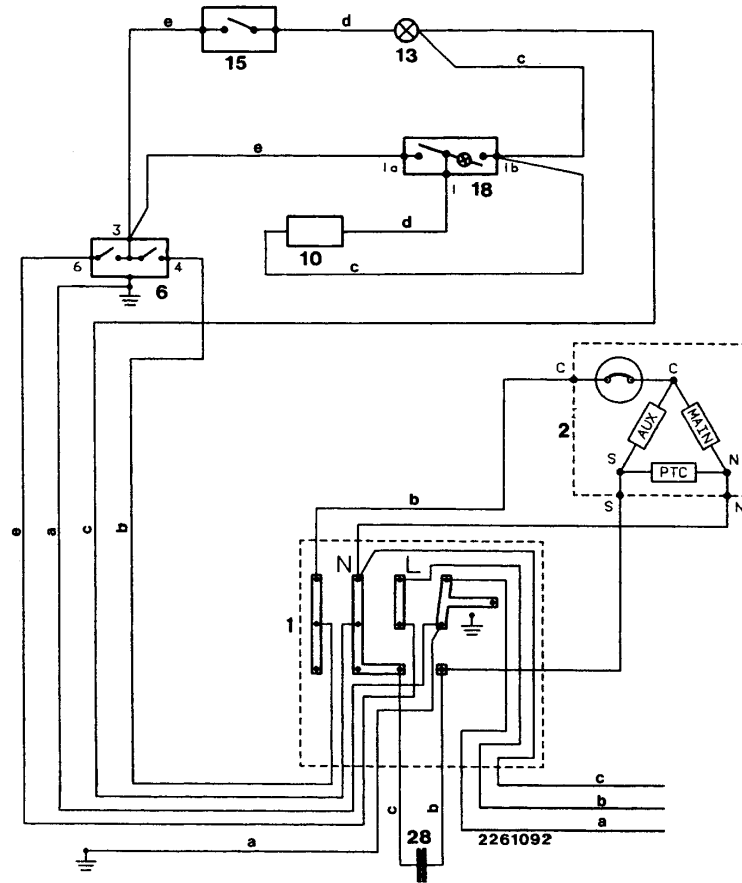


Responsible: K.H.Hiby

Telephone: (0209) 401732

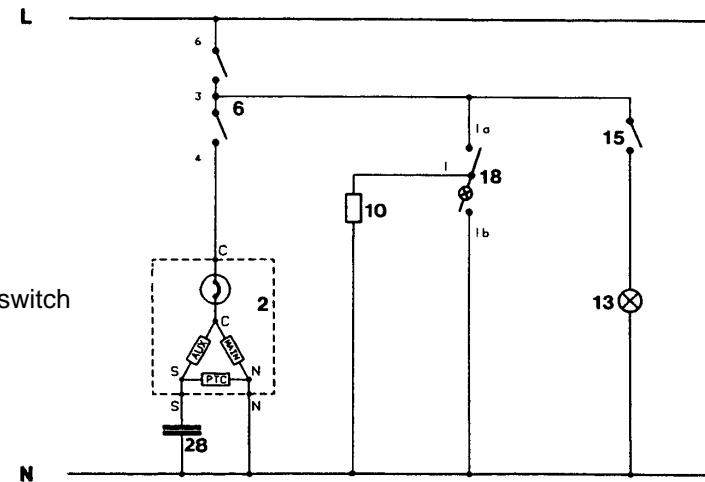
Date: 27.01.1997

No.16



- 1 Terminal board
- 2 Refrigerator condenser
- 6 Refrigerator thermostat
- 10 Balancing resistor
- 13 Refrigerator light
- 15 Refrigerator door switch
- 18 Balancing heating resistor switch
- 28 Capacitor

- a yellow-green
- b brown
- c blue
- d white
- e black
- f grey
- g red



VKS-H

Technical Information

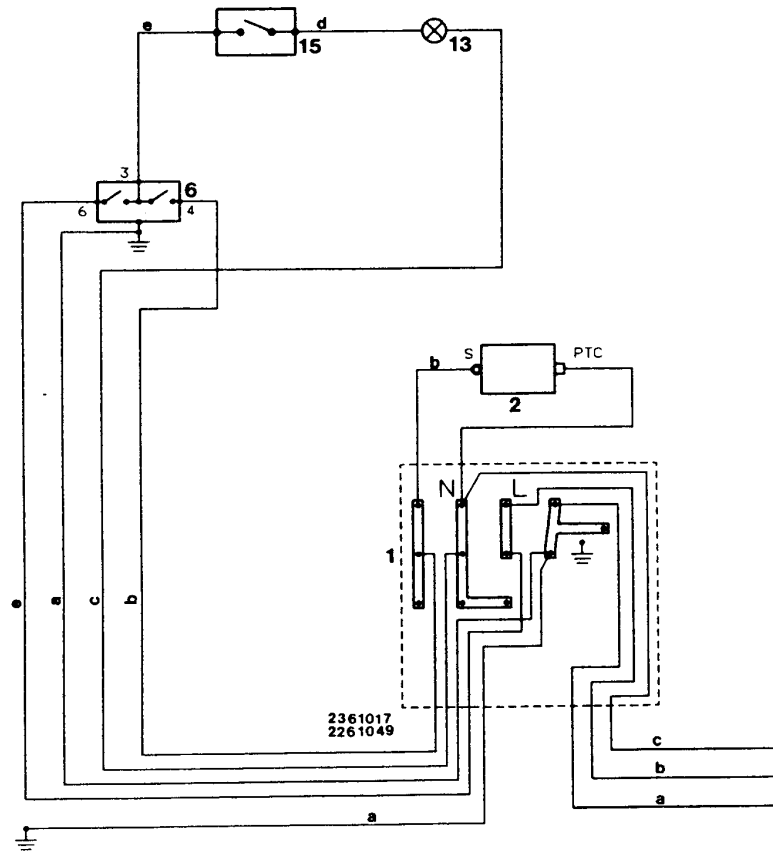
H8-420-03-01

Responsible: K.H.Hiby

Telephone: (0209) 401732

Date: 27.01.1997

No.17



- 1 Terminal board
- 2 Refrigerator condenser
- 6 Refrigerator thermostat
- 13 Refrigerator light
- 15 Refrigerator door switch
- 28 Capacitor

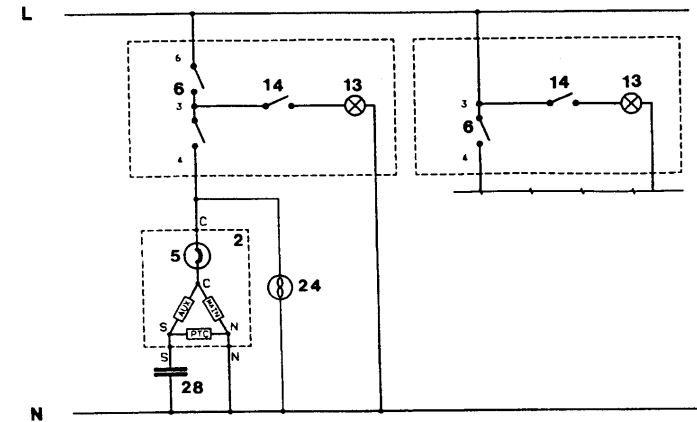
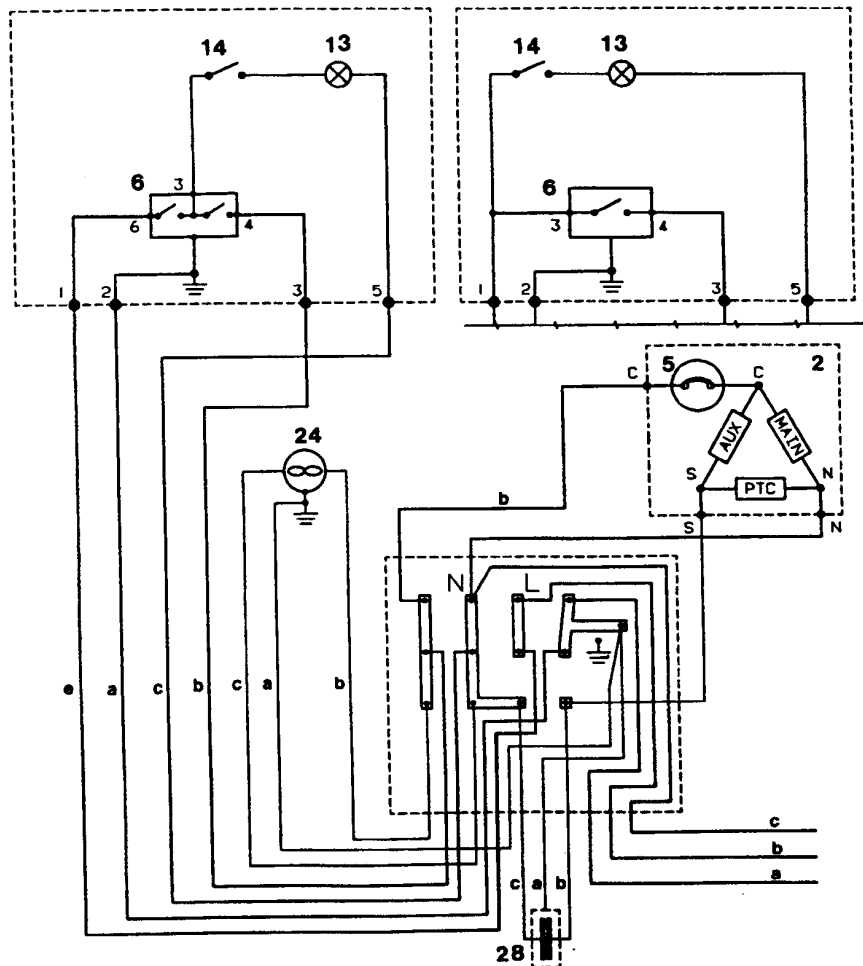
- a yellow-green
- b brown
- c blue
- d white
- e black

Responsible: K.H.Hiby

Telephone: (0209) 401732

Date: 27.01.1997

No.18



- | | |
|---------------------------|----------------|
| 2 Refrigerator condenser | a yellow-green |
| 5 Engine protection plate | b brown |
| 6 Refrigerator thermostat | c blue |
| 13 Refrigerator light | d white |
| 14 Deep-freezer light | e black |
| 24 Fan | |
| 28 Capacitor | |

VKS-H

Technical Information

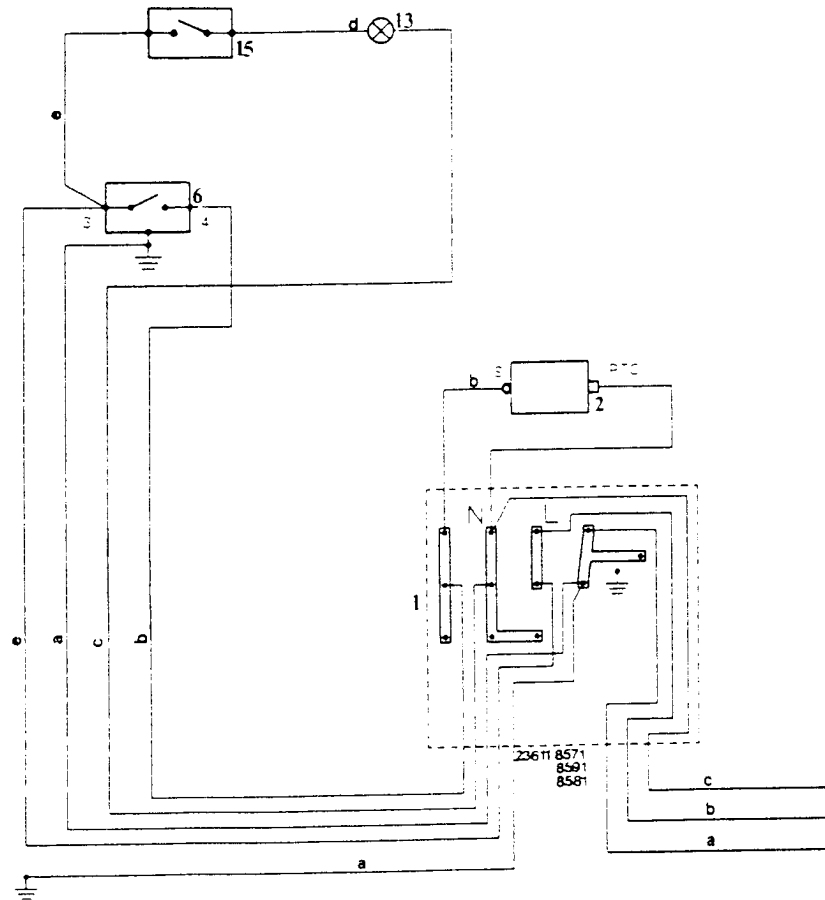
H8-420-03-01

Responsible: K.H.Hiby

Telephone: (0209) 401732

Date: 27.01.1997

No.19



- 1 Terminal board
- 2 Refrigerator condenser
- 6 Refrigerator thermostat
- 13 Refrigerator light
- 15 Refrigerator door switch
- 28 Capacitor

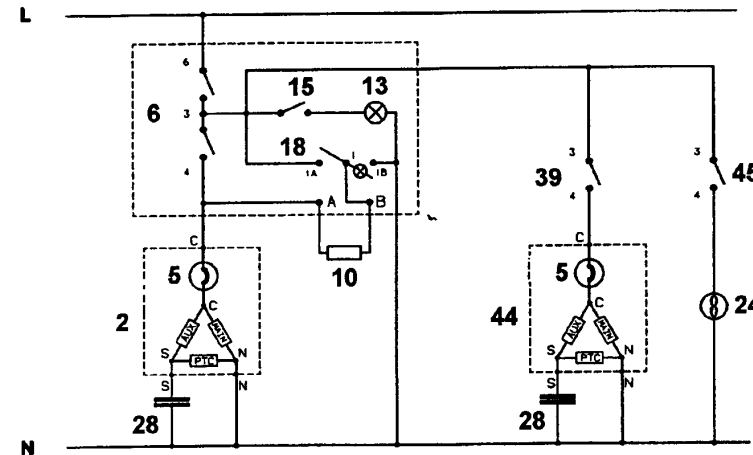
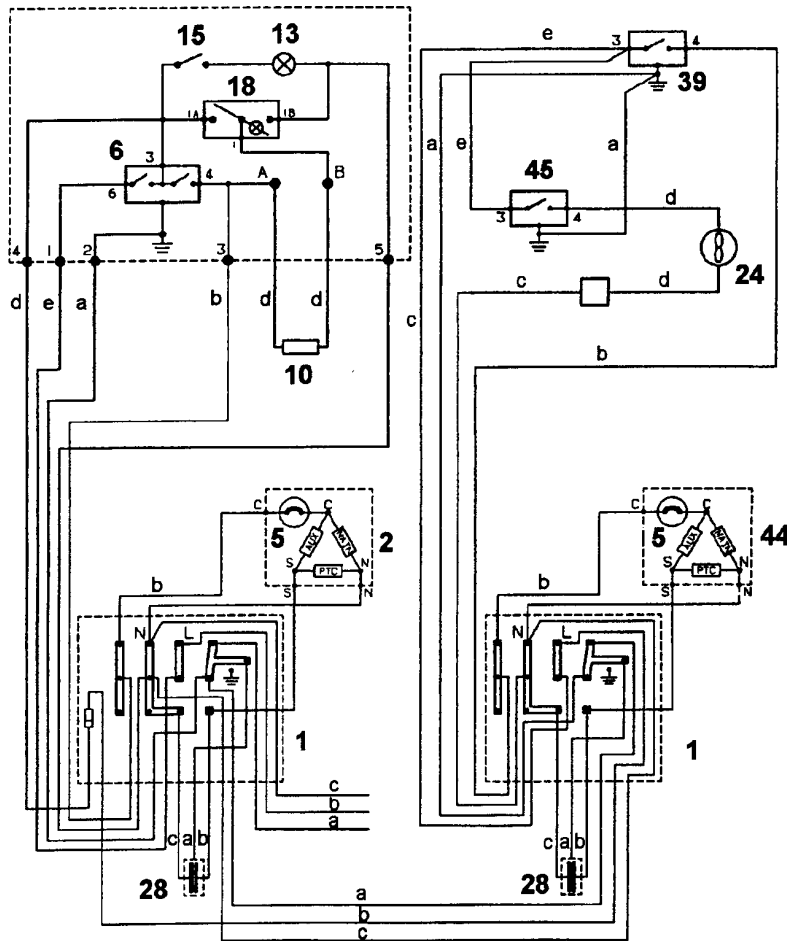
- a yellow-green
- b brown
- c blue
- d white
- e black

Responsible: K.H.Hiby

Telephone: (0209) 401732

Date: 27.01.1997

No.21



- | | | | |
|----|-----------------------------------|----|---------------------|
| 1 | Terminal board | 39 | Thermostat 0°C zone |
| 2 | Refrigerator condenser | 44 | Condenser 0°C zone |
| 5 | Engine protection plate | 45 | Fan thermostat |
| 6 | Refrigerator thermostat | | |
| 10 | Balancing resistor | | |
| 13 | Refrigerator light | | |
| 15 | Refrigerator door switch | | |
| 18 | Balancing heating resistor switch | | |
| 24 | Fan | | |
| 28 | Capacitor | | |
| | | a | yellow-green |
| | | b | brown |
| | | c | blue |
| | | d | white |
| | | e | black |
| | | f | grey |
| | | g | red |

