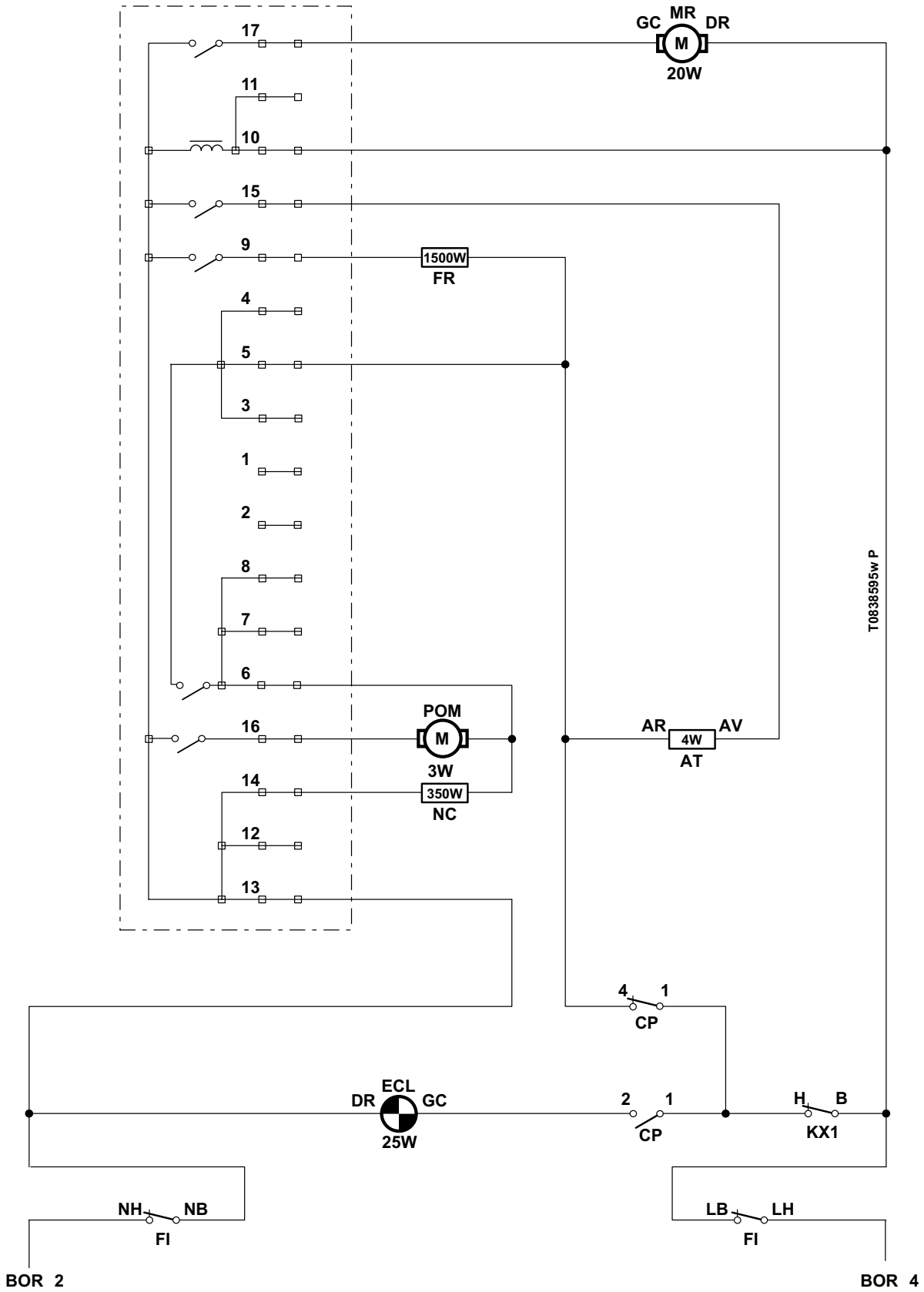


STEAM OVEN

EDG6501E
EDG6501E1
H234KU111

KUPPERBUSCH

TECHNICAL
INSTRUCTIONS



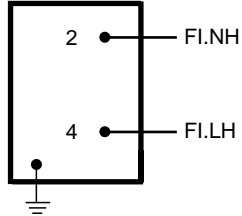
STEAM OVEN

EDG6501E
EDG6501E1
H234KU111

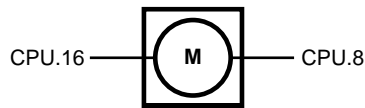
KUPPERSBUSCH

TECHNICAL
INSTRUCTIONS

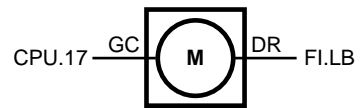
BOR



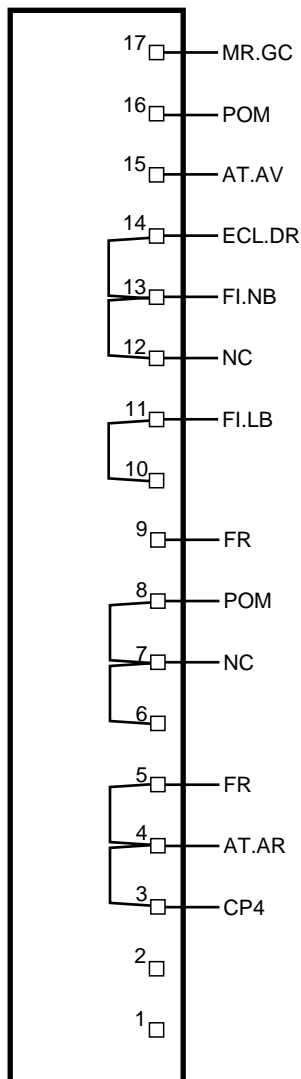
POM



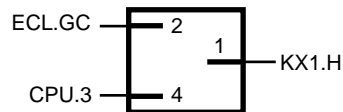
MR



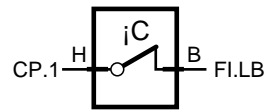
CPU



CP



KX1



T0838595 C

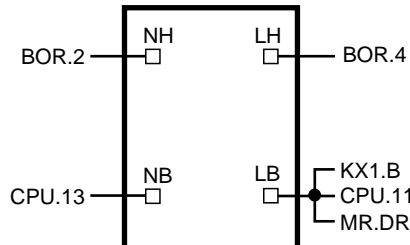
NC



AT



FI



FR



ECL



LEGEND

- AT : THERMO-ELECT.ACTIVATOR
- BOR : TERMINAL
- CPU : ELECTRONIC CARD
- CP : MICROSWITCH
- ECL : LIGHT
- FI : FILTER NOISE
- FR : GENERATOR
- KX1 : KLIXON
- MR : TURBINE
- NC : HEATING MAT
- POM : PUMP

STEAM OVEN

EDG6501E
EDG6501E1
H234KU111

KUPPERSBUSCH

TECHNICAL
FEATURES

AFTER SALES SERVICE DATA

- Operating instructions : 87X4769
- Servicing guide : -

OVERALL DESCRIPTION

- Date of manufacture : 01/2004
- Standards : CE
- Type : Steam oven
- Colour : STAINLESS
- Oven lighting : Yes
- Programmer : Yes
- Roasting rack : No
- Support grate : Yes
- Multiuse drip pan : No
- Drip pan + grate + grip : No
- Pastry pan : No
- Pan : Yes
- Glass pan : No
- Perforated pan : Yes
- Wire slide : No
- Oven cleaning type : -
- Diagnosis assistance : -

ELECTRICAL CONNECTIONS

- Power cord : Yes
- Voltage (single phase) : 230 V
- Frequency : 50 Hz
- Current : 10 A
- Power : 1930 W

OVEN ELECTRICAL DATA

- Large oven
 - Top / Grill : -
 - Bottom : -
 - Circular : -
- Small oven
 - Top / Grill : -
 - Bottom : -

DIMENSIONS

	Overall	Recess	Large oven cavity	Small oven cavity
Height	390 mm	380 mm	185 mm	-
Width	595 mm	560 mm	390 mm	-
Depth	470 mm	450 mm	325 mm	-

- Large oven useful capacity : 23 L
- Net weight : 20 kg
- Gross weight : 23 kg

- Small oven useful capacity : -

CONSUMPTION

- Build up to 200 °C : -
- Holding at 200 °C : -
- * For 20 °C ambient temperature
- 80 minute pyrolysis : -
- Steam oven : -
- Cooking at 100 °C : -