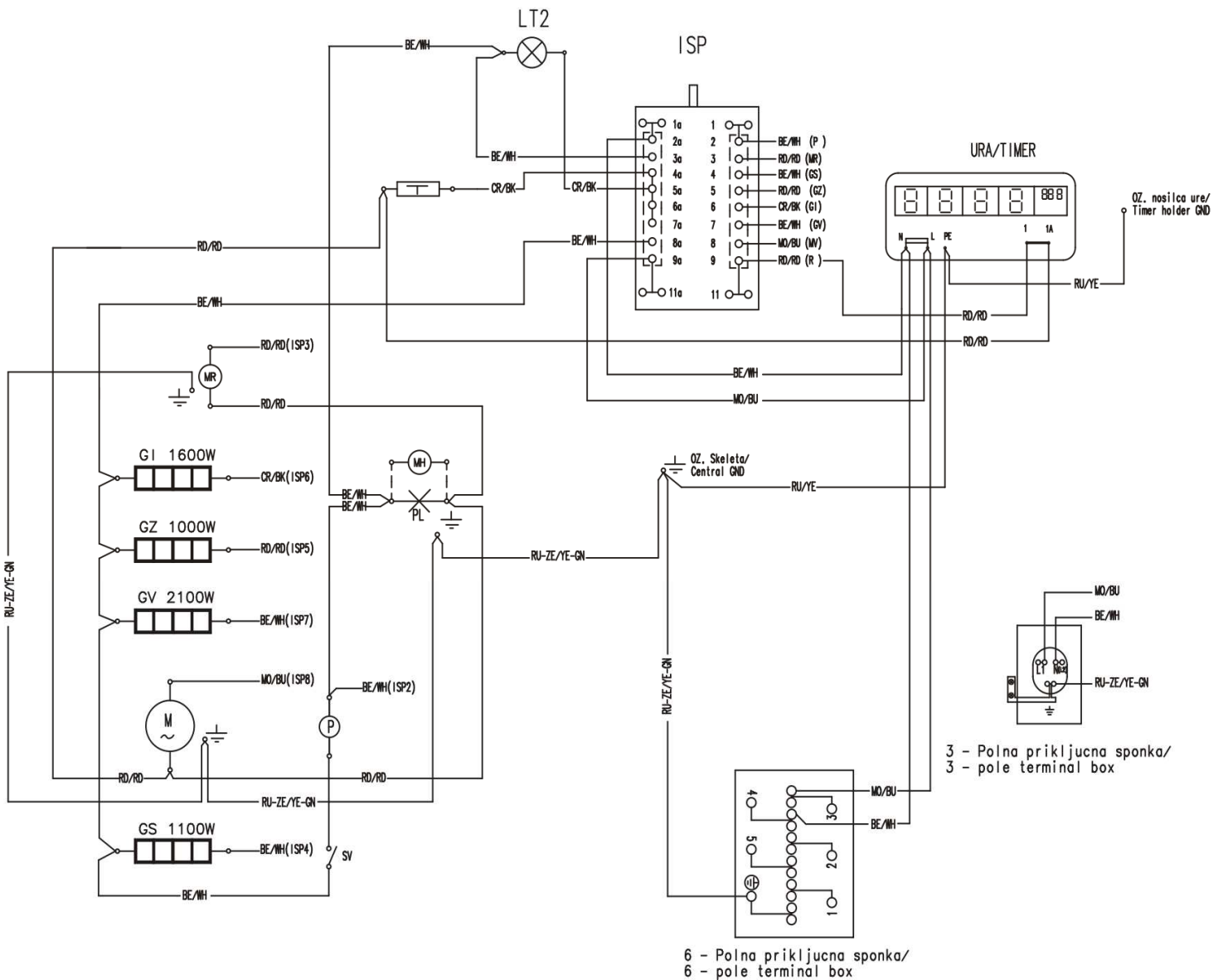
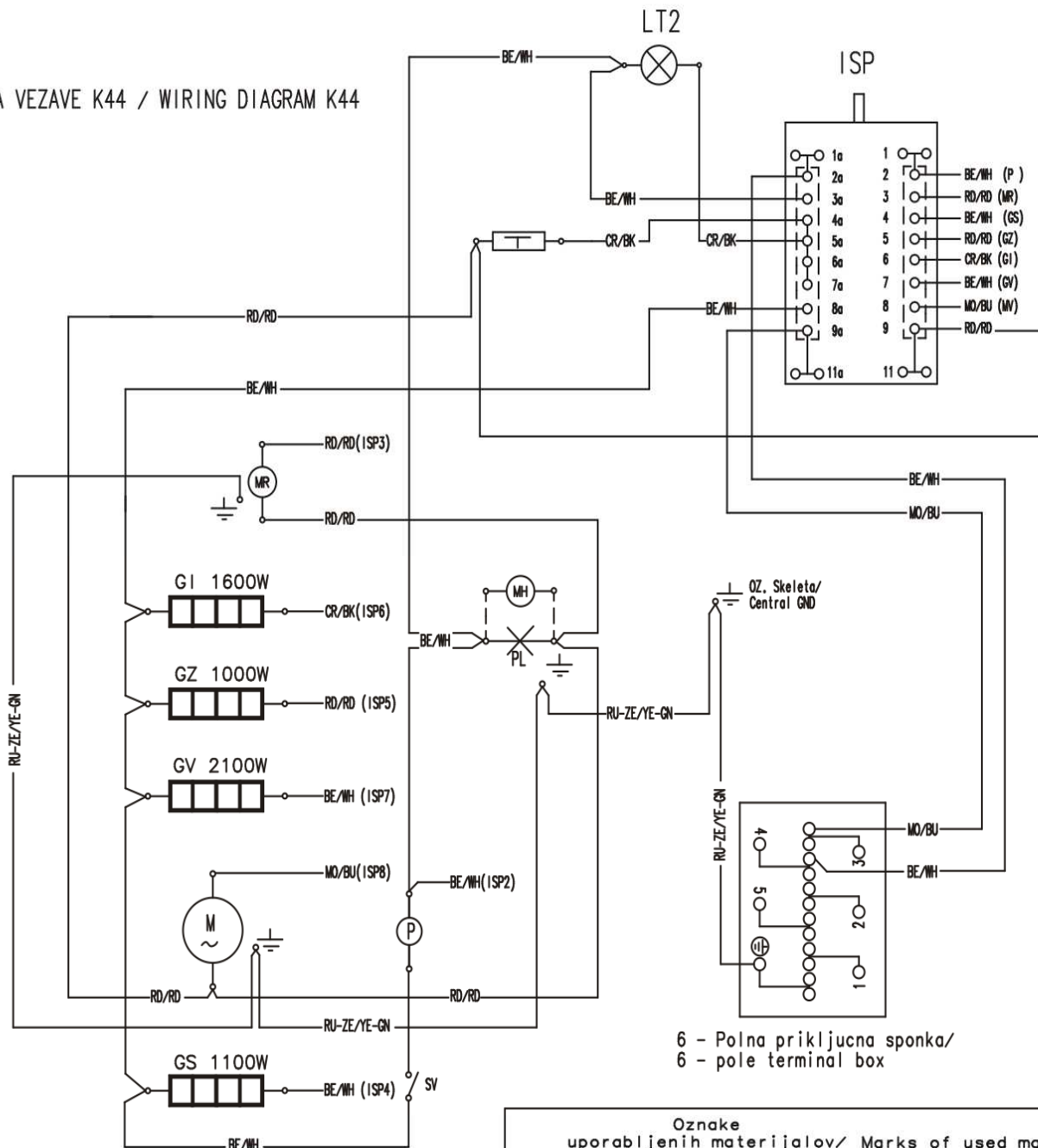


HEMA VEZAVE K44 - URA / WIRING DIAGRAM K44 TIMER



HEMA VEZAVE K44 / WIRING DIAGRAM K44



6 - Polna priključna sponka /
6 - pole terminal box

Oznake uporabljenih materialov / Marks of used materials	
OZNAKA/MARK	OPIS / SDESKRIPTION
ISP	IZBIRNO STIKALO PECICE/OVEN SELECTOR SWITCH
LT2	SIGNALNA LUCKA (RDECA)/INDICATOR (RED)
GZ	GRELEC ZGORNJI/UPPER HEATER
GS	GRELEC SPODNJI/LOWER HEATER
GI	GRELEC INFRA/INFRA HEATER
GV	GRELEC VENTILATORSKI/FAN HEATER
T	KAPILARNI TERMOSTAT/CAPILLARY THERMOSTAT
P	TERMOSTAT ZASCITNI/CUT-OUT THERMOSTAT
PL	PECNISKA LUCKA/OVEN LAMP
MV	MOTOR VENTILATORJA/OVEN FAN MOTOR
MR	MOTOR RAZNJA/TURNSPIT MOTOR
MH	MOTOR HLADILNI/FAN MOTOR
URA	URA PROGRAMSKA/TIMER
SV	STIKALO VRAT/DOOR SWITCH
[]	KONEKTRO/CONNECTOR