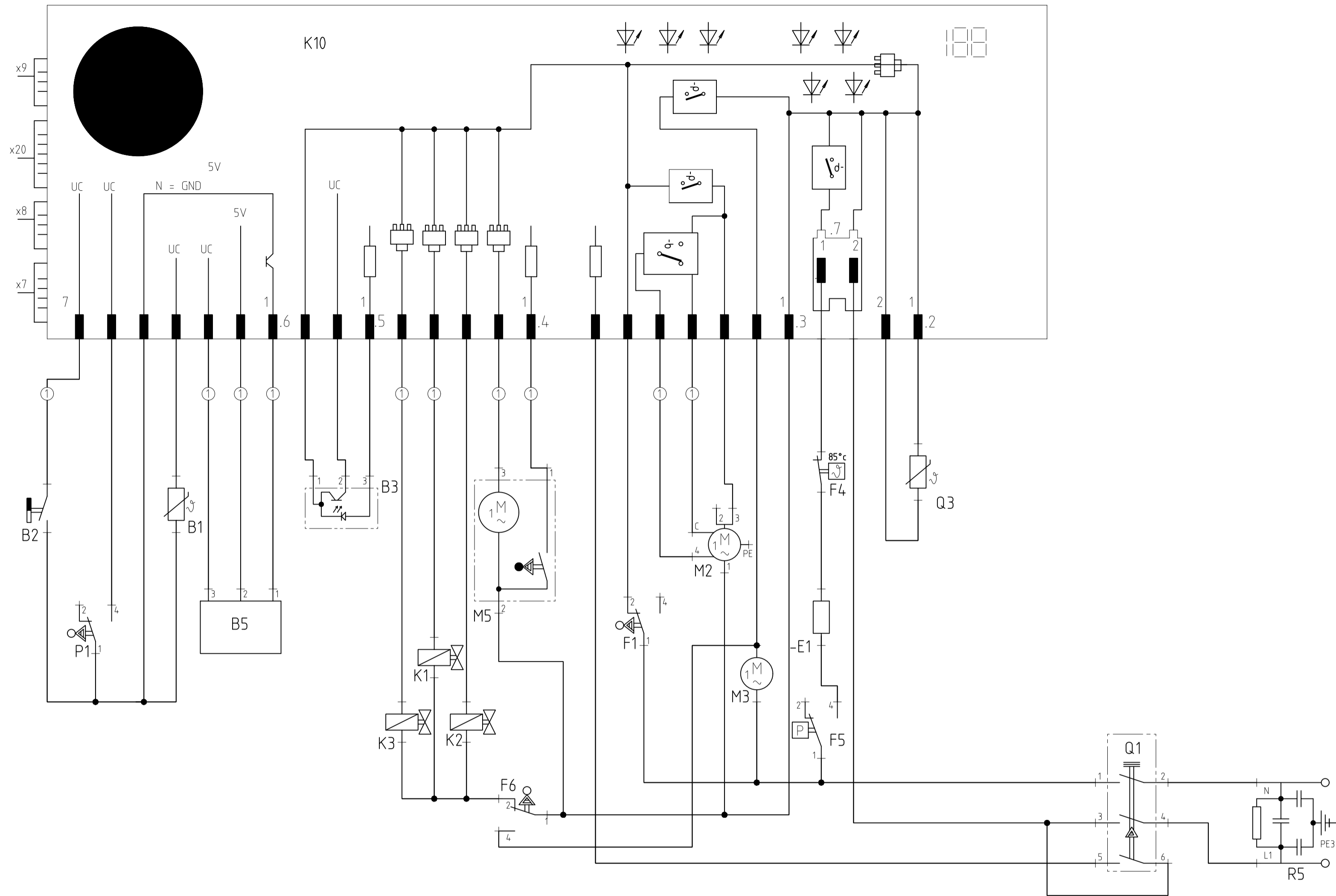


① Fitted depending on features

Designation Connection Diagram GV451 N/O mit WW	LCS EN	Document No. 5600 0000123065	Rev A	Sheet-No. 1 of 1
		Material No. 9000100046		



1 2 3 4 5 6 7 8 9 10 11 12 13 14 15 16 17 18 19 20 21 22 23 24 25 26 27 28 29 30 31 32 33 34 35 36 37 38 39 40 41 42 43 44 45 46 47 48 49 50 51 52 53

REF	Components	Path	REF	Components	Path
-E1	Heater	33	Q1	Main switch	42,44
B1	Temperature sensor ntc	13	Q3	Dispenser actuator	36
B2	Low salt sensor	9	R5	Mains connection with interference suppressor	47,49
B3	Low rinse aid sensor optical	18,19			
B5	Aqua sensor 1	14-16			
F1	Door switch	27,28			
F4	Safety thermostat	33			
F5	Safety pressure switch	33,34			
F6	safety pressure switch	23,25			
K1	Regeneration valve	21			
K2	Filler valve	22			
K3	Drainage valve	20			
K10	Control unit	10-24,26-36			
M2	Circulation pump	29-31			
M3	Detergent solution pump	31			
M5	Water switch	23,25			
P1	Level switch	10,11			

-E1 +
PE1 PE2
-E1 +

① Fitted depending on features

The reproduction, transmission or use of this document or its contents is not permitted without express written authority. Offenders will be liable for damages. All rights including rights created by patent grant or registration of a utility model or design are reserved. Copyright reserved.