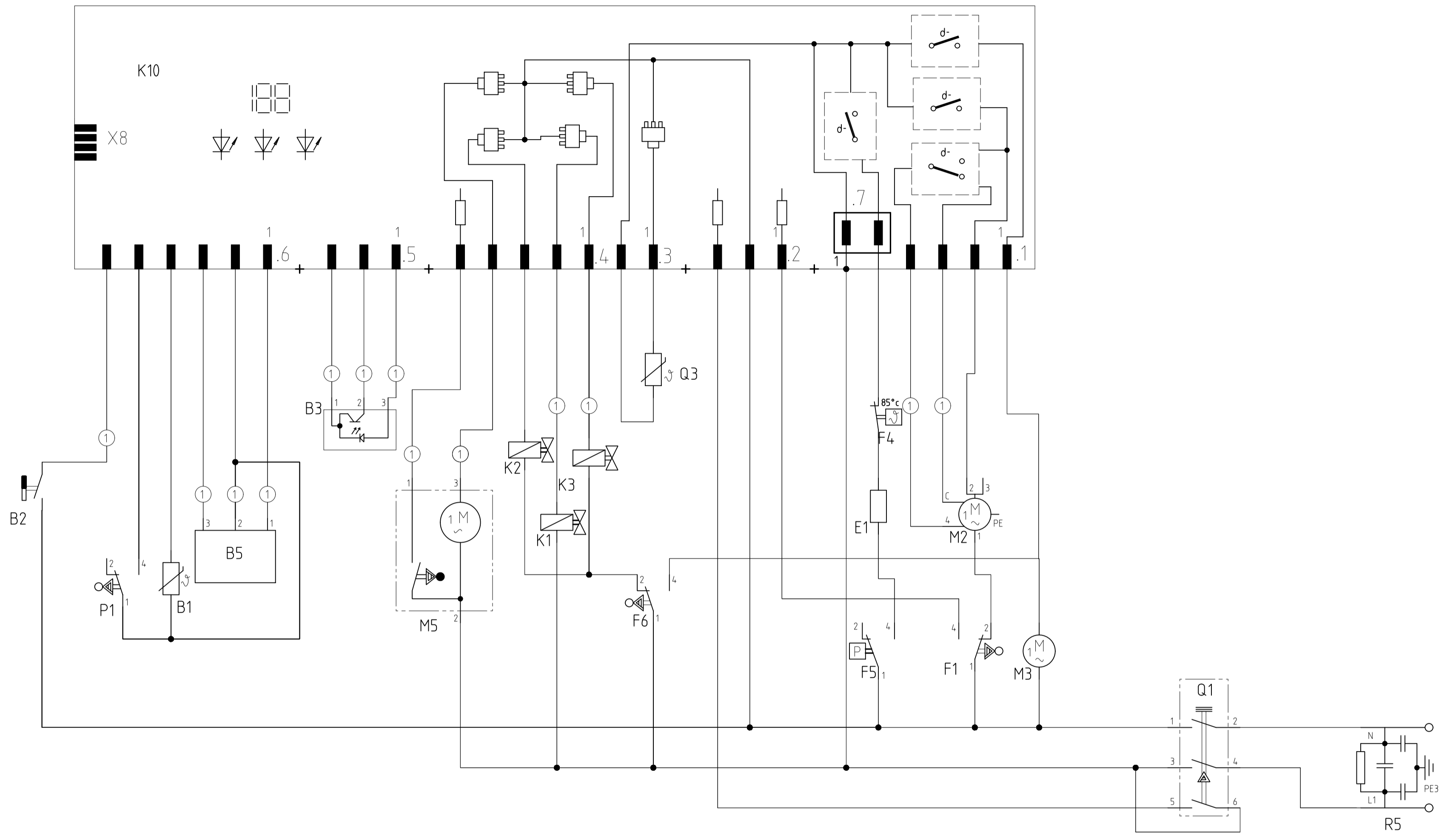


① Fitted depending on features

Designation Connection Diagram GV 450 G/H/I/J	LCS EN	Document No. 5600 0000122467	Rev A	Sheet-No. 1 of 1
		Material No. 9000100033		



1 2 3 4 5 6 7 8 9 10 11 12 13 14 15 16 17 18 19 20 21 22 23 24 25 26 27 28 29 30 31 32 33 34 35 36 37 38 39 40 41 42 43 44 45 46 47 48 49 50 51 52 53 54 55

REF	Components	Path	REF	Components	Path
B1	Temperature sensor ntc	15	P1	Level switch	13,14
B2	Low salt sensor	11	Q1	Main switch	46,48
B3	Low rinse aid sensor optical	20-22	Q3	Dispenser actuator	30
B5	Aqua sensor 1	16-18	R5	Mains connection with interference suppressor	52,54
E1	Heater	37			
F1	Door switch	39,40			
F4	Safety thermostat	37			
F5	Safety pressure switch	36,37			
F6	safety pressure switch	29-31			
K1	Regeneration valve	27			
K2	Filler valve	26			
K3	Drainage valve	28			
K10	Control unit	#####			
M2	Circulation pump	39-41			
M3	Detergent solution pump	42			
M5	Water switch	22,24			

① Fitted depending on features

The reproduction, transmission or use of this document or its contents is not permitted without express written authority. Offenders will be liable for damages. All rights including rights created by patent grant or registration of a utility model or design are reserved. Copyright reserved.

Customer service test programme

1. Selecting the model coding:

Switch off the appliance. When the door is closed, hold down two buttons and press main switch until the model coding is indicated on the display.

2. Selecting the special programme:

When the two buttons are released, LED L3 lights up and LED L4 flashes. P0 is displayed. The required special programme can be selected by pressing the S3 button.

- **P0** = Read out fault memory
- **P1** = Customer service test programme
- **P2/P3** = In-plant test programmes
- **P4** = Model coding

Press **S6** to acknowledge the selected programme.

3. Read out fault memory (P0)

The faults of the last 8 wash cycles can be scanned by pressing the S4 button. When the button is pressed, the wash cycle is displayed (00 – 07). When the button is released, the associated fault is displayed (see table). If several faults occur in a wash cycle, only the fault with the highest value is displayed. The customer service programme can be started by pressing the S3 button.

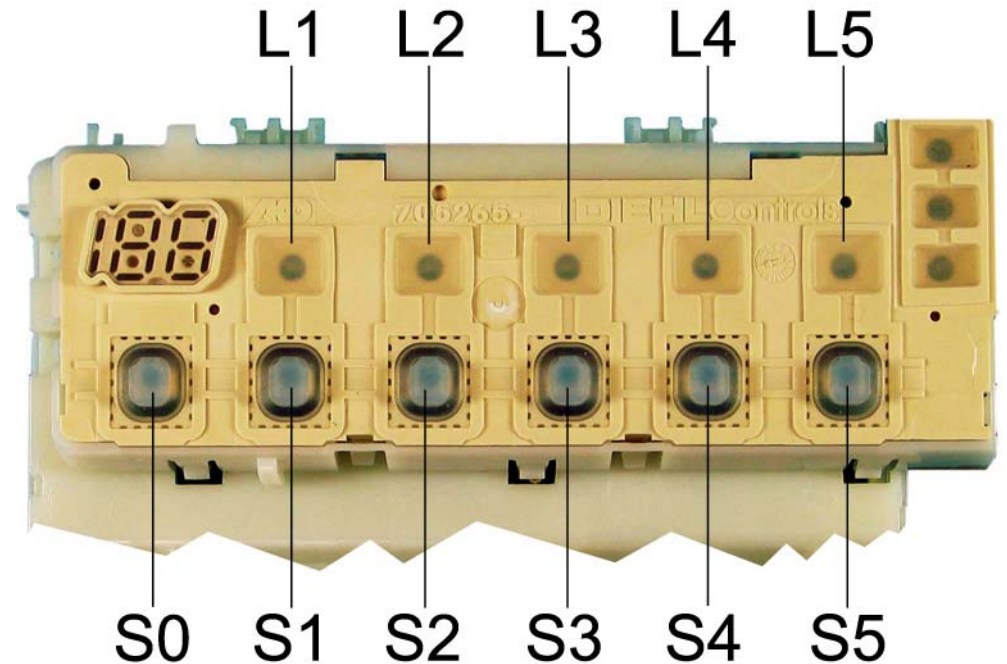
4. Customer service test programme (P1)

The customer service programme starts as soon as the programme P1 is acknowledged (with S4). While the customer service programme is running, each status change of the analogue signal inputs (e.g. filling switch F1) is acknowledged by the electronics module with LEDs which flash briefly. The particular programme position is indicated via the display. The water points are actuated for as long as the programme is running. The LED L4 flashes for as long as the customer service programme is running.

Switch to the next programme position with the S3 button.

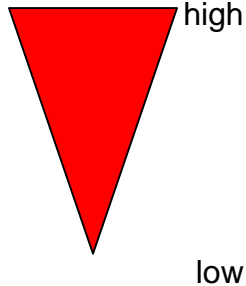
(Exception: Move to the next filling step by pressing filling switch F1 only)

A fault which has occurred is indicated immediately via the display (heating fault after 60 minutes). If several faults occur, only the fault with the highest value is displayed. Following each repair a customer service test programme must be run to detect any other faults.



Document No. 58300000108134 ASP EN A	Rev. A	Sheet-No. 1 of 2
Material No. 9000 032 765	GV450 / GV630 , G rati , WT	

Fault code:

Fault code	Fault type	Value
E1	Heating fault	
E2	NTC fault	
E3	Filling fault	
E4	Water points cannot be positioned	
E5	- - -	
E6	Aqua sensor	
E7	- - -	

Sequence of the customer service test programme:

	Function	Temperature	Capacity	Time (s)	Sensor	Symbol
1	P			15		P = Pump
2	VF				F1	VF = Prefill
3	PA			5		F = Fill (level F1)
4	F + reversal relay/auxiliary winding (SICASYM) + AWT		3.9	X + 10		U = Circulate
5	U + H + ZR	max. 72 °		120		H = Heating
6	U + H	60 °C				ZR = Dispense detergent
7	U + H + R	max. 72 °		120		ZK = Dispense rinse aid
8	U + ZK	(45 cm wide appliance)		120		R = Regeneration valve
	U + H + ZK	(60 cm wide appliance)			FWW = Fill soft water	
9	AS_KAL_IR + U + H	(45 cm wide appliance)				AS_KAL = Calibrate Aqua sensor
	AS_KAL_IR	(60 cm wide appliance)				AWT = Heat exchanger outlet valve
10	WP			30		WP = Alternating pump
11	P			45		SP = Intermittent pump
12	FWW + AWT			60		PA = Pause
13	SP			30		X = Calculated refill time
14	P + AWT			30		
0	End					

Document No. 58300000108134 ASP EN A	Rev. A	Sheet-No. 2 of 2
Material No. 9000 032 765	GV450 / GV630 , G rati , WT	