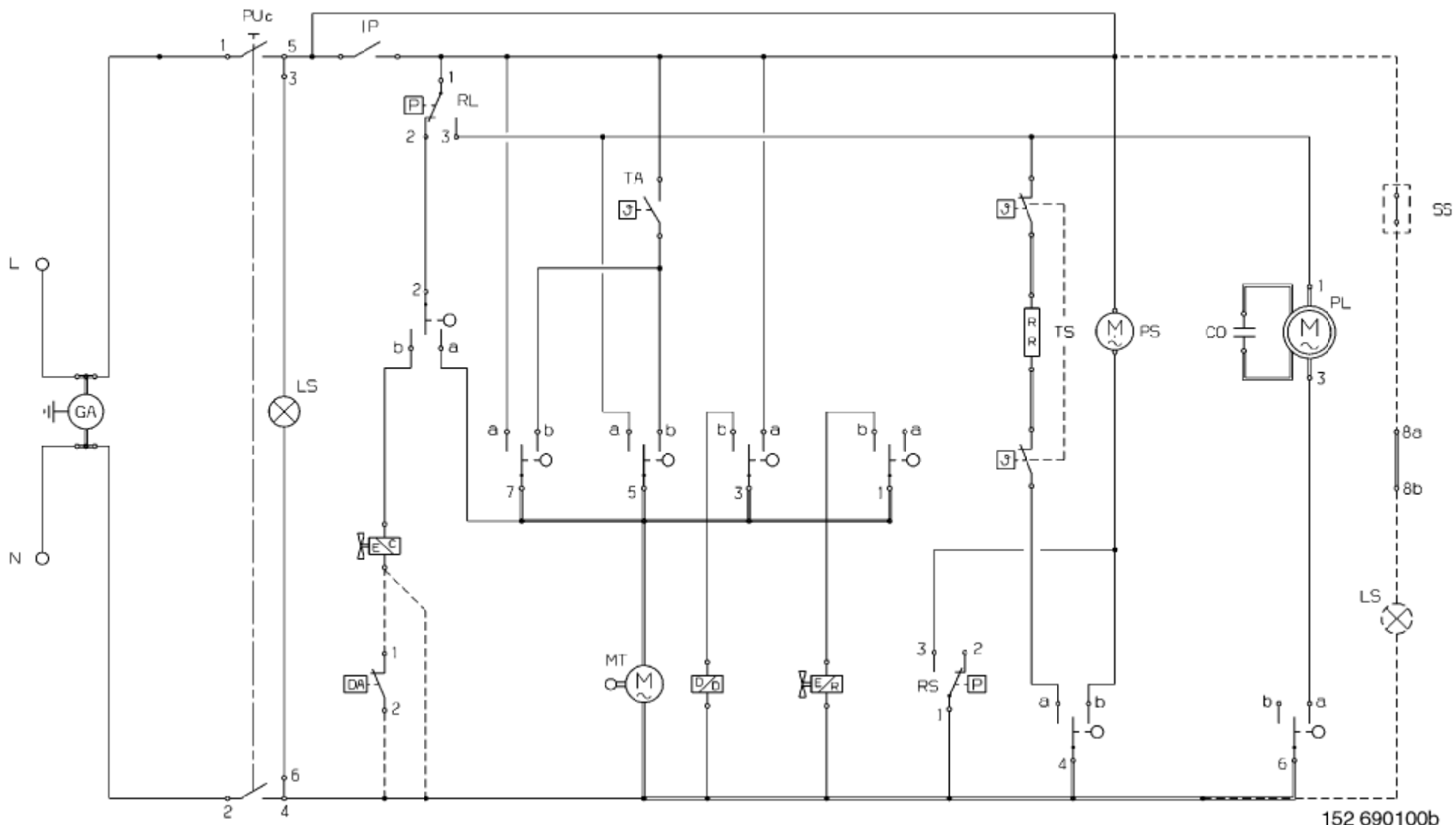


152 690100a



| Step | Function | Time (sec) |
|------|-------------------|------------|
| 1 | D F R_wash. | 30 |
| 2 | D F R_wash. | 30 |
| 3 | F P+ | 5 |
| 4 | F W Det. | 225 |
| 5 | W H T50/T60+ | 30 |
| 6 | D P<+ | 30 |
| 7 | F P+ | 5 |
| 8 | F W | 225 |
| 9 | W | 5 |
| 10 | W H R.A. T50/T60+ | 140 |
| 11 | Regen. | 120 |
| 12 | D P<+ | 25 |
| 13 | OFF OFF | / |
| 14 | D F R_wash. | 145 |
| 15 | F P+ | 30 |
| 16 | F W | 115 |
| 17 | W P+ | 145 |
| 18 | W | 120 |
| 19 | D P<+ | 25 |
| 20 | OFF OFF | / |
| 21 | D F R_wash. | 30 |
| 22 | D | 30 |
| 23 | F P+ | 5 |
| 24 | F W | 225 |
| 25 | W H (T50+) | 5 |
| 26 | W | 865 |
| 27 | (F) | 30 |
| 28 | D P<+ | 30 |
| 29 | F P+ | 5 |
| 30 | F W Det. | 225 |
| 31 | W H T60 (T50)+ | 30 |
| 32 | W | 1420 |
| 33 | (D) (P<+) | 30 |
| 34 | F P+ | 5 |
| 35 | F W | 255 |
| 36 | D | 5 |
| 37 | PAUSE | 25 |
| 38 | D | 40 |
| 39 | F P+ | 5 |
| 40 | F W | 15 |
| 41 | PAUSE | 5 |
| 42 | W | 5 |
| 43 | PAUSE | 5 |
| 44 | W | 5 |
| 45 | PAUSE | 35 |
| 46 | D | 5 |
| 47 | F P+ | 5 |
| 48 | F W | 135 |
| 49 | F W | 30 |
| 50 | W H R.A. T50+ | 30 |
| 51 | W H R.A. T60+ | 30 |
| 52 | D Regen. | 55 |
| 53 | Regen. | 145 |
| 54 | PAUSE | 1450 |
| 55 | PAUSE | 290 |
| 56 | D | 30 |
| 57 | PAUSE | 260 |
| 58 | OFF OFF | / |

TM - T50°
 Reg. Valve
 TM - Level empty
 Inlet Valve
 TM - Intensiv
 Detergent
 Heater
 Drain Pump
 TM - Level
 TM - T50°
 Wash Pump
 Drain Pump opt.
 TM - direct
 TM - T50°