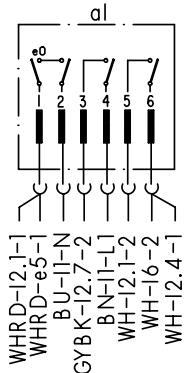
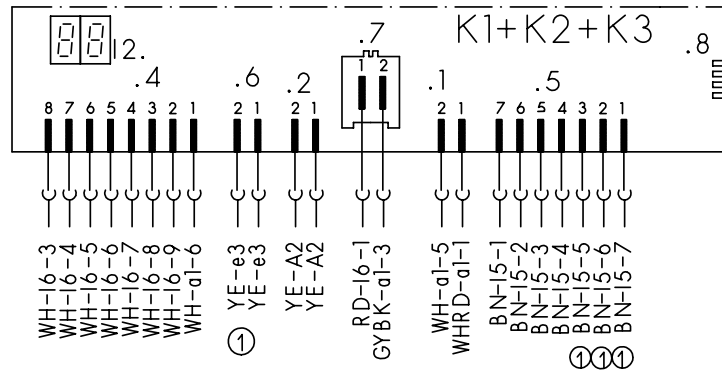


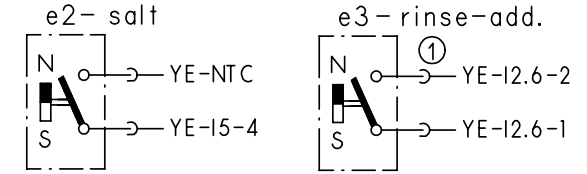
main switch



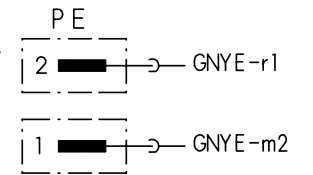
on-off and selector switch



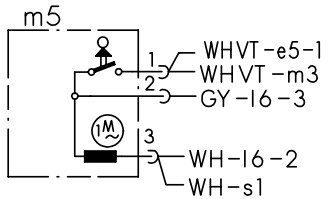
reed switch



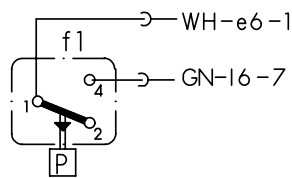
earth terminal



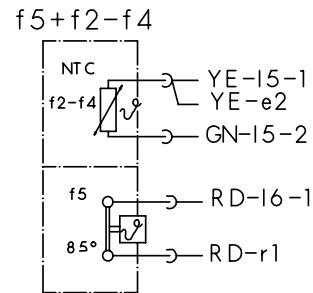
water points



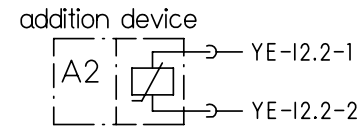
level switch



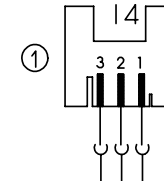
thermostat + NTC



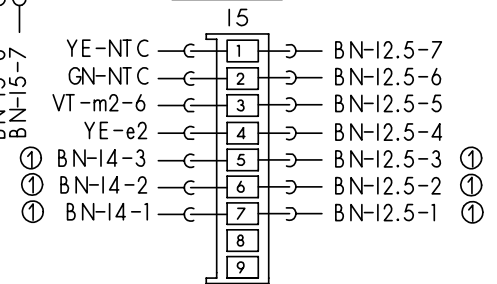
aktuator



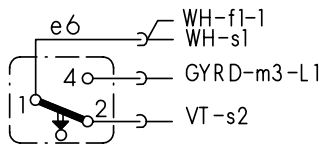
aqua-sensor



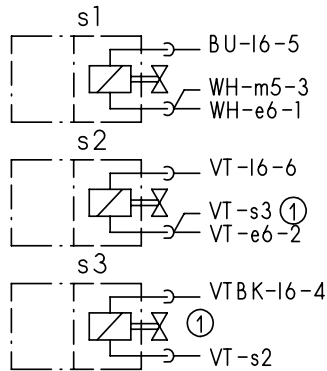
clutch



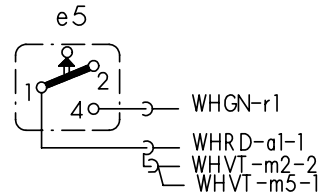
float switch



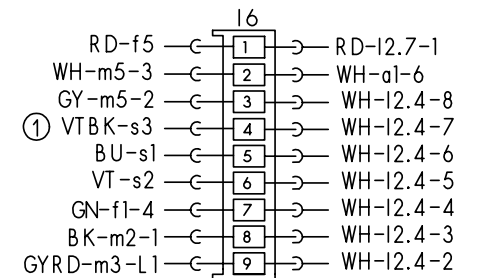
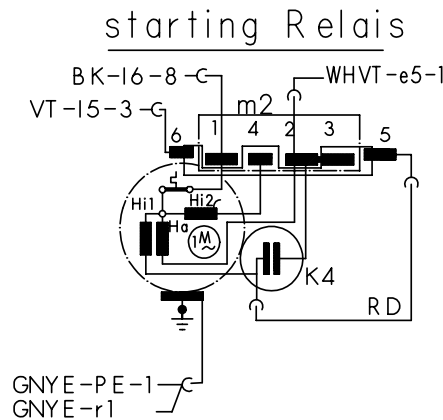
solenoid valves



safety switch

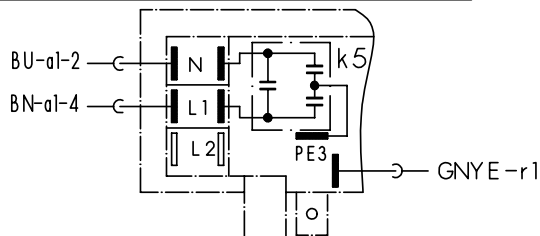


motor

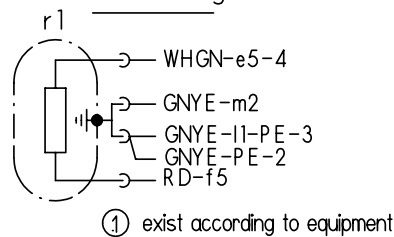


terminal I1 with

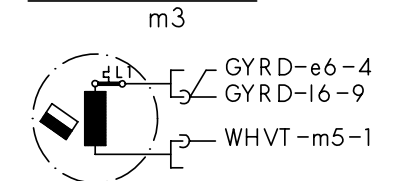
interference suppression



heating



drain pump



Mat.Nr.: 5600049105	
Ausg.: 04.02	SO-60/ 0665



① exist according to equipment