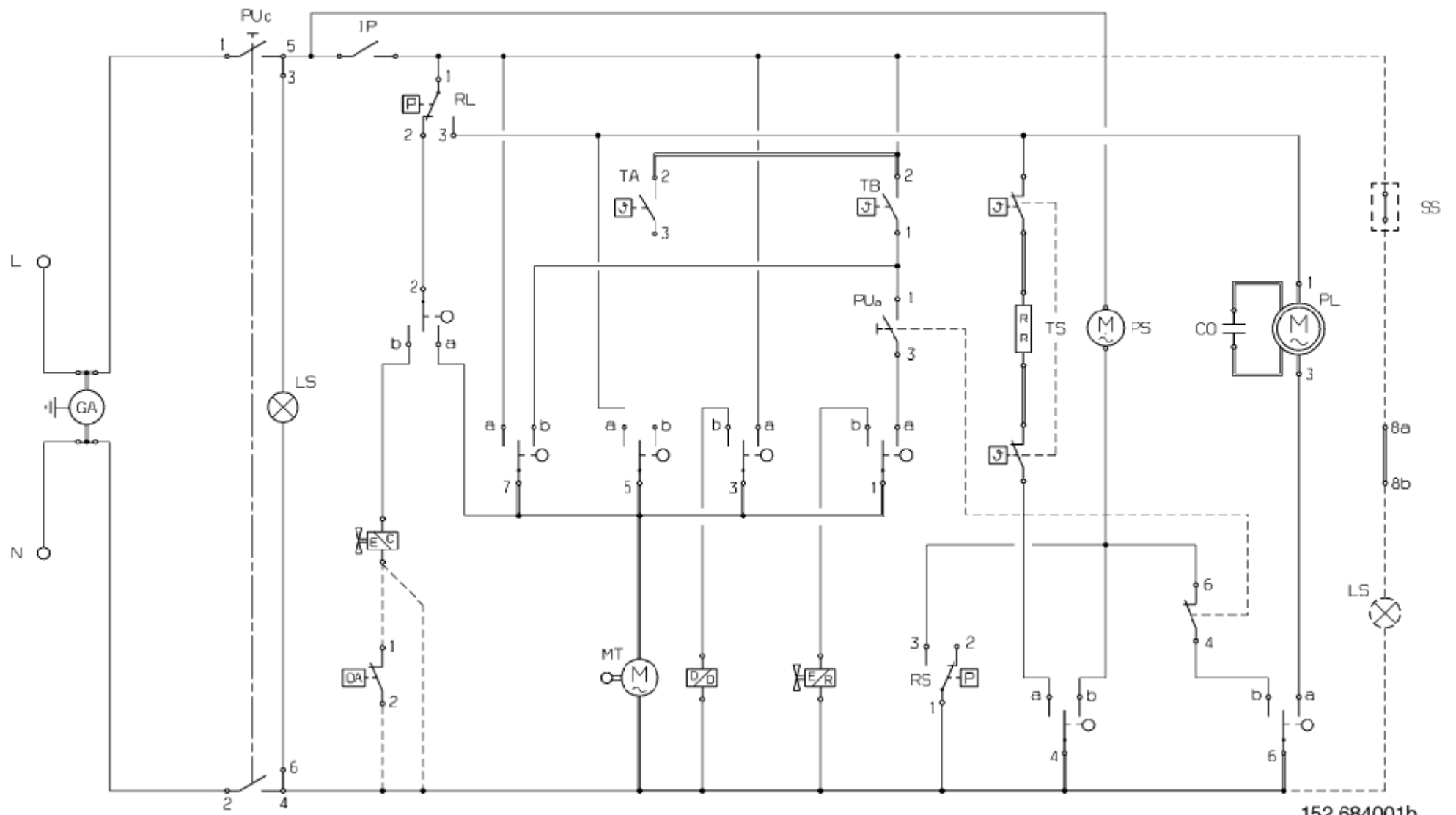


152 684001a



	Step	Function	Time (sec)
	1	D F	30
	2	D F	30
	3	F	P+
	4	F W Det.	225
	5	W H	T50/T60+ 30
	6		P<+ 30
	7	F	P+ 5
	8	F W	225
	9	W	5
	10	W H R.A.	T50/T60+ 140
	11	Regen.	120
	12	D	P<+ 75
	13	OFF	OFF
	14	D F	R_wash. 145
	15	F	P+ 30
	16	F W	115
	17	W	145
	18	W	170
	19	D	P<+ 25
	20	OFF	OFF
	21	D F	R_wash. 30
	22	D	30
	23	F	P+ 5
	24	F W	275
	25	W H	(T50+) 5
	26	W	865
	27	(F)	30
	28	D	P<+ 30
	29	F	P+ 5
	30	F W Det.	225
	31	W H	160 (T50)+ 30
	32	W	1420
	33	(D)	(P<+) 30
	34	F	P+ 5
	35	F W	255
	36	D	5
	37	PAUSE	25
	38	D	40
	39	F	P+ 5
	40	F W	15
	41	PAUSE	5
	42	W	5
	43	PAUSE	5
	44	W	5
	45	PAUSE	35
	46	D	5
	47	F	P+ 5
	48	F W	135
	49	F W	30
	50	W H R.A.	T50+ 30
	51	W H R.A.	T60+ 30
	52	D	Regen. 55
	53		Regen. 145
	54	PAUSE	1450
	55	PAUSE	290
	56	D	30
	57	PAUSE	260
	58	OFF	OFF

	Position	3	4	1	2
TM - T50°	1 a				
Reg. Valve	1 b				
TM - Level empty	2 a				
Inlet Valve	2 b				
TM - Intensiv	3 a				
Detergent	3 b				
Heater	4 a				
Drain Pump	4 b				
TM - Level	5 a				
TM - T60°	5 b				
Wash Pump	6 a				
Drain Pump opt.	6 b				
TM - direct	7 a				
TM - T50°	7 b				