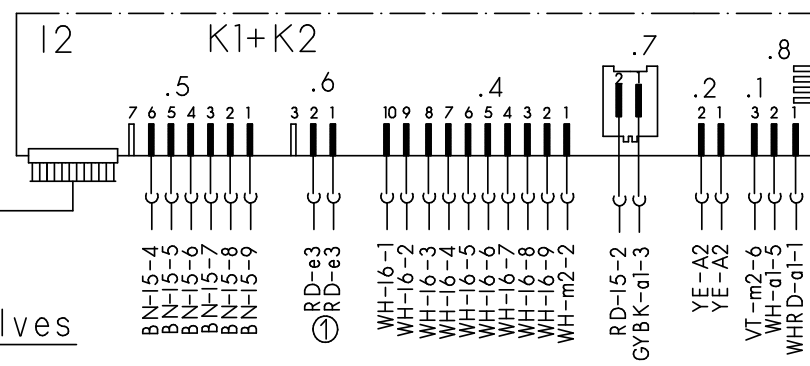
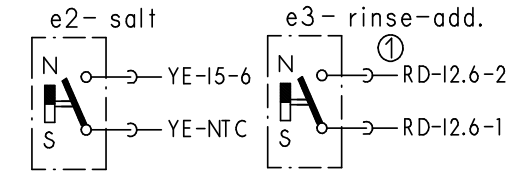


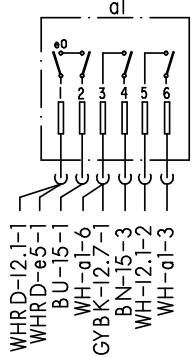
on-off and selector switch



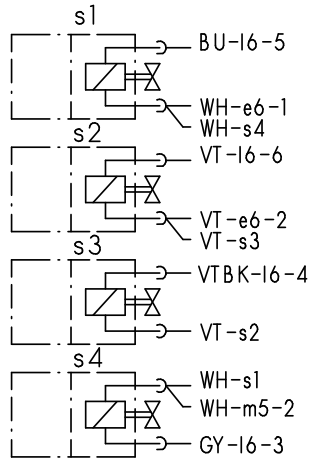
sensor



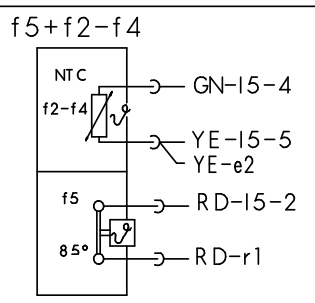
main switch



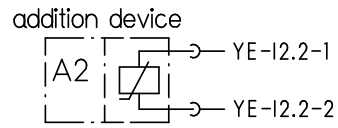
solenoid valves



thermostat + NTC

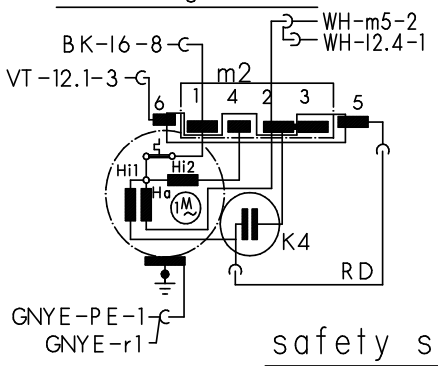


aktuator

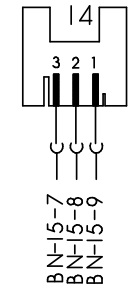


motor

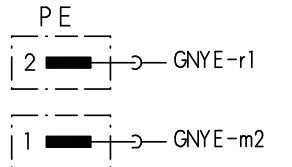
starting Relais



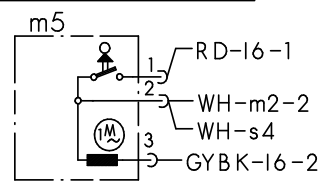
aqua-sensor



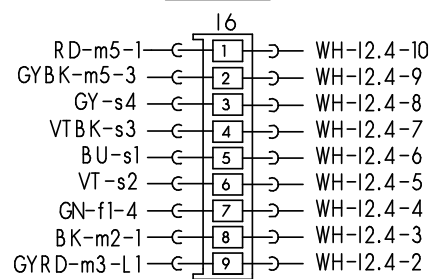
earth terminal



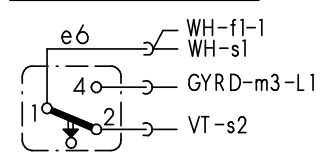
water points



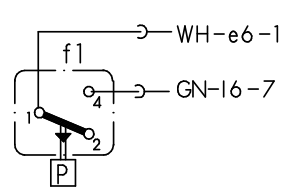
clutch



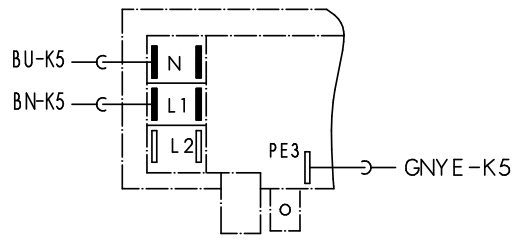
float switch



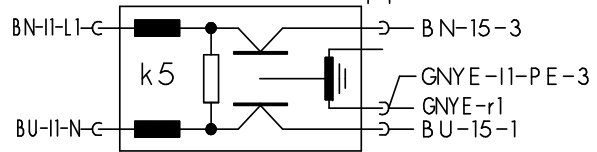
level switch



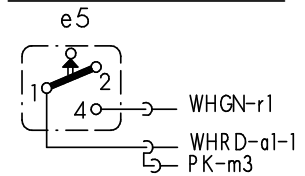
terminal I1 with interference suppression



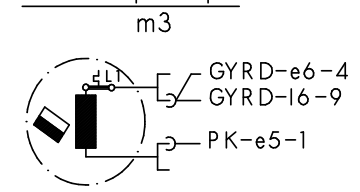
interference suppression



safety switch



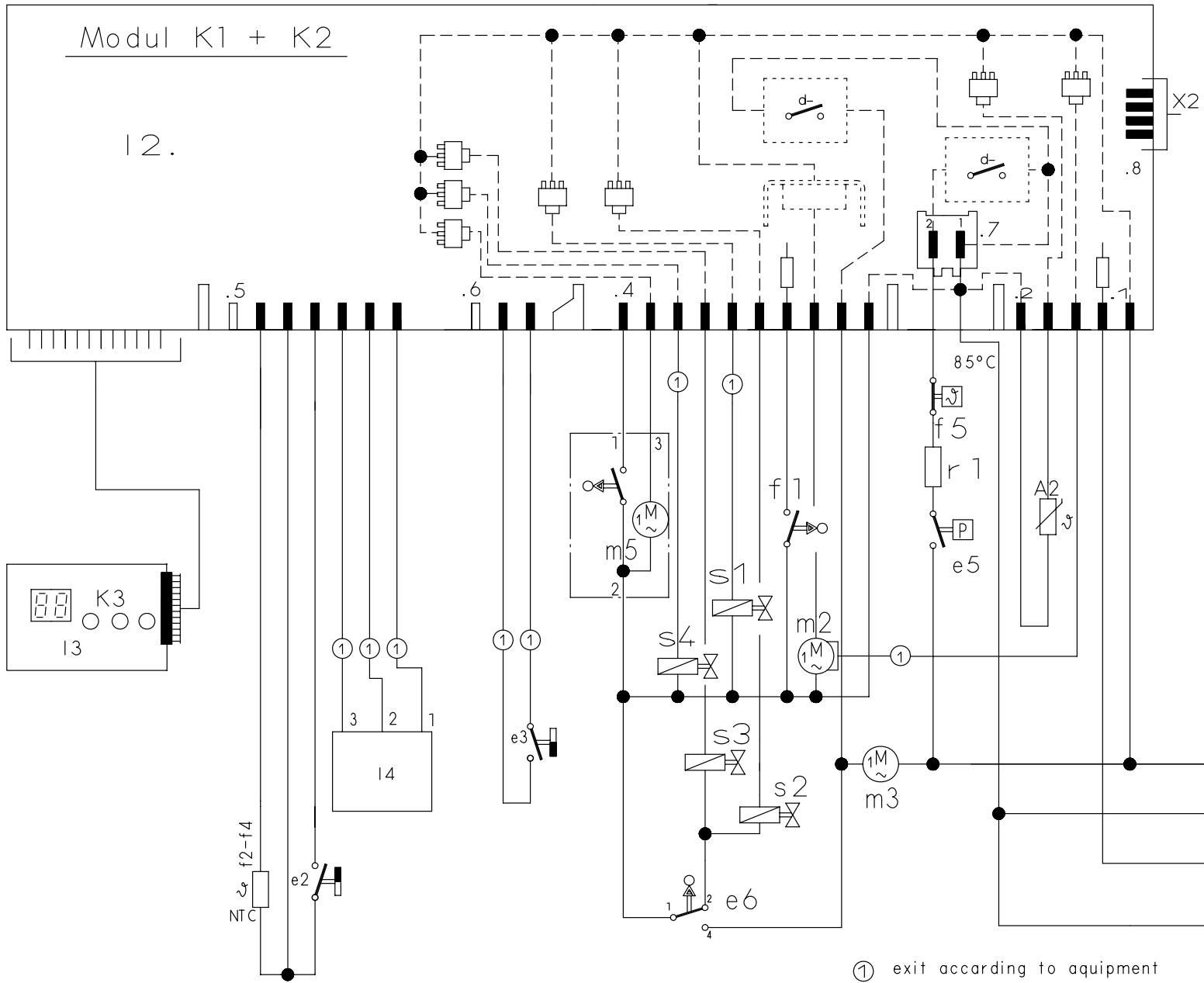
drain pump



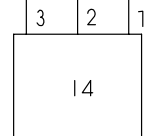
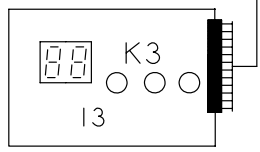
① exist according to equipment  
 (..) previous color



Mat.Nr.: 5600048123	
Ausg.: 09.02	S0-60/ 0636



- a1 = main switch
- e2/3 = sensors
- e6 = float switch
- f1 = level switch
- NTC = temperature sensor
- f5 = thermostat
- K1 = display modul
- K2 = control modul
- K3 = timer modul
- K5 = interference suppression
- m2 = circulation motor
- m3 = drain motor
- r1 = heating element
- e5 = pressure switch
- s1 = regenerating valve
- s2 = filling valve
- s3 = transfer valve
- A2 = actuator
- x2 = service-connector
- m5 = water switch
- L4 = aqua sensor
- s4 = raw water valve



① exit according to equipment



Mat. Nr. 5600048124	
Augs.: 02.02	S0-60/ 0637

# Customer service test programme

Function	Temperature	Capacity	Time (s)	Sensor	Abbreviations
1	P		15		P = Pump
2	VF			F1	VF = Prefill
3	F	3.9			F = Fill
4	U + H + ZR	max. 72 °C	120		U = Circulate
5	U + H	65 °C			H = Heat
6	U + H + R	max. 72 °C	120		ZR = Dispense detergents
7	U + ZK		120		ZK = Dispense rinse aid
8	AS_KAL_IR		0 – 480		R = Regenerate
9	P		60		FWW = Flush
10	FWW + AWT		60		AWT = Outlet
11	P + AWT		30		AS_KAL_IR2 = Calibration of turbidity sensor

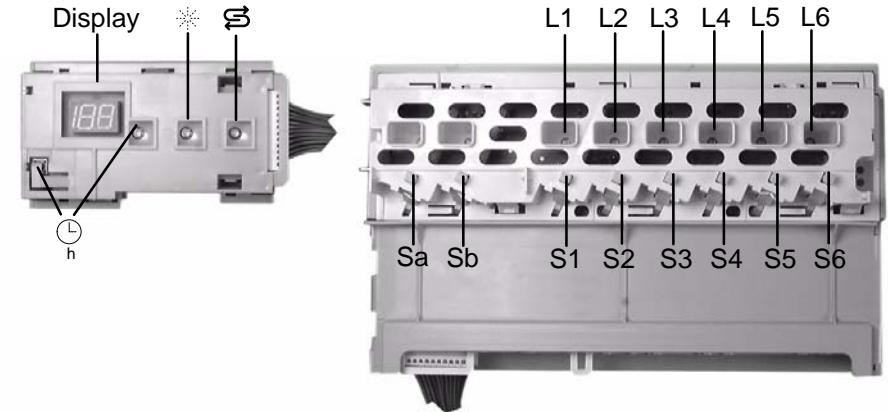
To select the test programme press and hold the S2 and S4 buttons simultaneously and switch on the appliance.

The following displays are indicated on the control panel:

- LEDs L2 and L4 flash.
- As long as the two S2 and S4 buttons remain depressed after the dishwasher has been switched on, an identifier for the model coding is displayed when the overtravel contact has been successfully interrogated (e.g. 20 = Model 0, 21 = Model 1, etc.)
- By pressing one of the buttons, the associated LED lights up.
- By pressing the S3 button, the display and the “low level” indicator LEDs also light up.
- By pressing the timer programming button, an 8h on the segment display and the Minutes LED light up.

By pressing the S2 and S4 buttons, the test programme starts. Timer programming is not possible, the test programme is ended by switching off the appliance via the main switch.

The potential fault code is displayed.



Fault code	Description
0	There is no fault
1	Fault in the hydro sensor system <b>Note: Display even if there is no sensor!</b>
2	Heater fault
4	Filling fault
8	Fault in NTC system
16	Water switch cannot be positioned

If neither of the two special function buttons (Sa/Sb) is selected, alternating rinsing has been set. If the soak/top basket special function is selected, the water switch has been positioned for top basket. If the time reduction/ bottom basket special function is selected, the water switch has been positioned for bottom basket.

The next programme step can be selected by pressing the S3 button; (Exception: Select the filling step with the F1 filling switch only). Fault code display is in the customer service test programme only!

If more than one fault is detected, the fault code is added up. (f.ex.: fault code 3 = fault 1 + fault 2)



5600 047 455	Issued: 08.02
	S0-60/0699