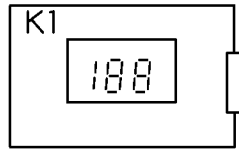
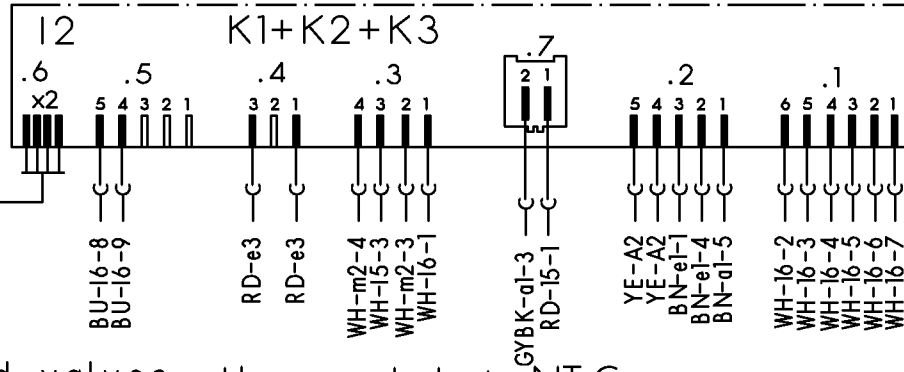


display

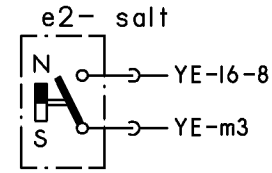


main switch

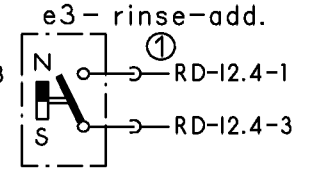
on-off and selector switch



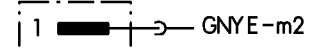
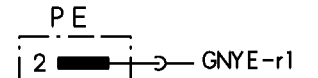
sensor



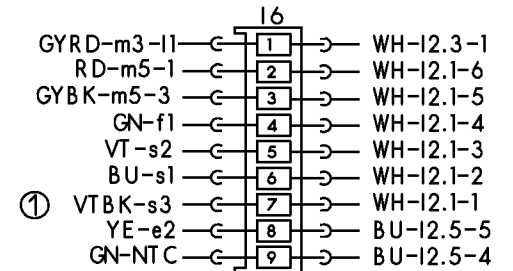
aqua-sensor



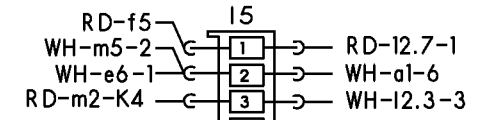
earth terminal



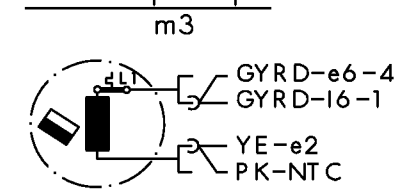
clutch



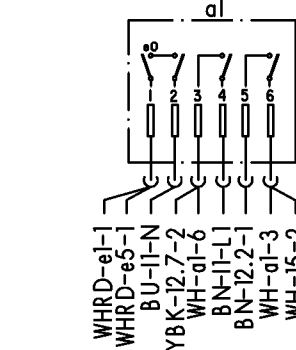
①



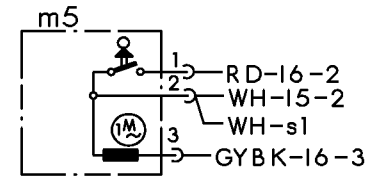
drain pump



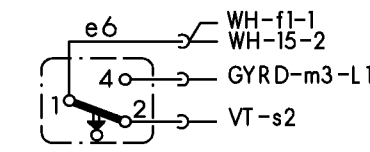
Mat.Nr:	5600046563
Ausg.:	01.02
	S0-60/0638



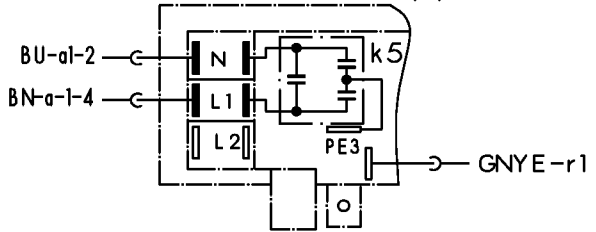
water points



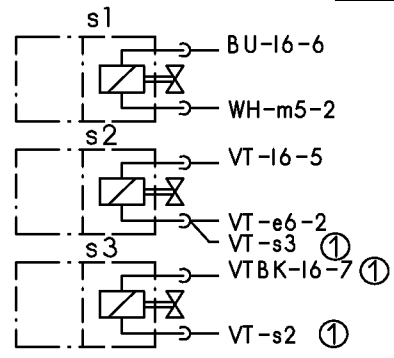
float switch



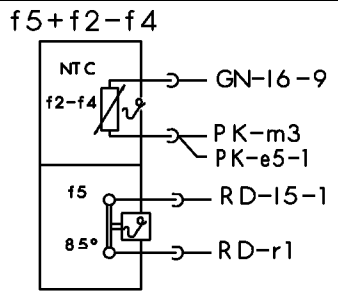
terminal I1 with interference suppression



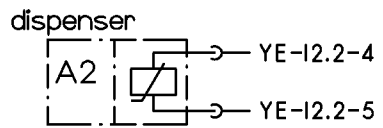
solenoid valves



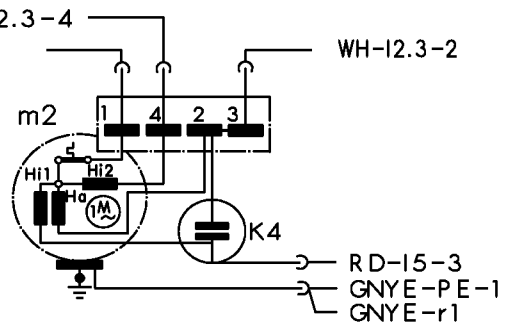
thermostat + NTC



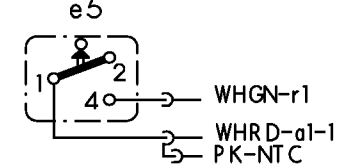
aktuator



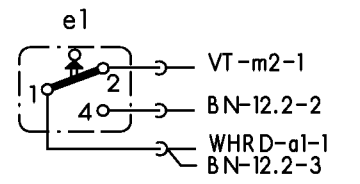
motor



safety switch



door switch



① exist according to equipment
(..) previous color

Customer service test programme

Function		Temperature	Capacity	Time (s)	Sensor	Symbol
1	P			15		P = Pump
2	VF				F1	VF = Prefill
3	F		3.4 l			F = Fill (level F1)
4	U + H + ZR	max. 72 °C		120		U = Circulate
5	U + H	max. 72 °C		120		H = Heat
6	U + H + R	60°C				ZR = Dispense detergent
7	U + H + ZK	max. 72°C		120		ZR = Dispense rinse aid
8	WP			30		R = Regeneration valve
9	P			45		FWW = Fill soft water
10	AS_KAL + reversal relay auxiliary winding (SIKASYM) + U			10 + 20		AS_KAL = Calibrate Aqua sensor
11	P			60		AWT = Heat exchanger outlet valve
12	FWW + AWT			60		
13	P + AWT			30		
14	P			30		
15	U + P			15		

1. Selecting the model coding:

When the door is open, hold down two buttons and press the main switch.

As long as the buttons remain depressed, the model coding is displayed via LEDs L2 to L4.

2. Select special programme:

When the two buttons are released, LED L3 illuminates and LED L4 flashes

Keep pressing S3 until LED L4 illuminates. Then press button S4 to activate the customer service special programme.

3. Starting the programme:

The customer service programme is started by closing the door.

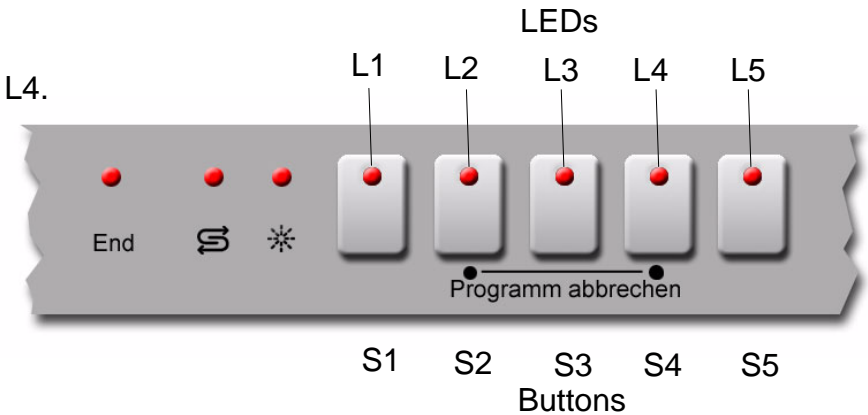
Jump to the next programme position by pressing button S3.

(Exception: Move to the next filling step by pressing filling switch F1 only).

A fault which has occurred is displayed immediately via the programme sequence LEDs.

If several faults occur, only the fault with the highest value is displayed.

Following each repair, a customer service programme must be run in order to detect any other faults.



LED L2	LED L3	LED L4	Fault
○	○	●	Heating fault
○	●	○	NTC fault
○	●	●	Filling fault
●	○	○	Water points position
●	○	●	Tachogenerator fault
●	●	○	Aqua sensor fault
●	●	●	Not assigned



5600 049 436	Edition: 10.02
J, WW, WT, GV450	S0-60/0710

Coding instruction for electronics module

When standard electronic controllers are replaced, the controller must be recoded with the appliance programmes (see table)

1. Selection:

When the door is open, hold down two buttons and press the main switch.

As long as the buttons are held down, the coding is displayed via LEDs L2 to L4.

2. Selecting a special programme:

When the two buttons are released, LED L3 illuminates and LED L4 flashes.

Press button S3 until LED L2 illuminates. Then press button S4 to activate the special coding programme. The current coding is displayed.

3. Setting the coding:

Set the coding by pressing button S3. Set the programme configuration according to the list below.

4. Saving the coding:

Save the new coding by switching off the appliance.

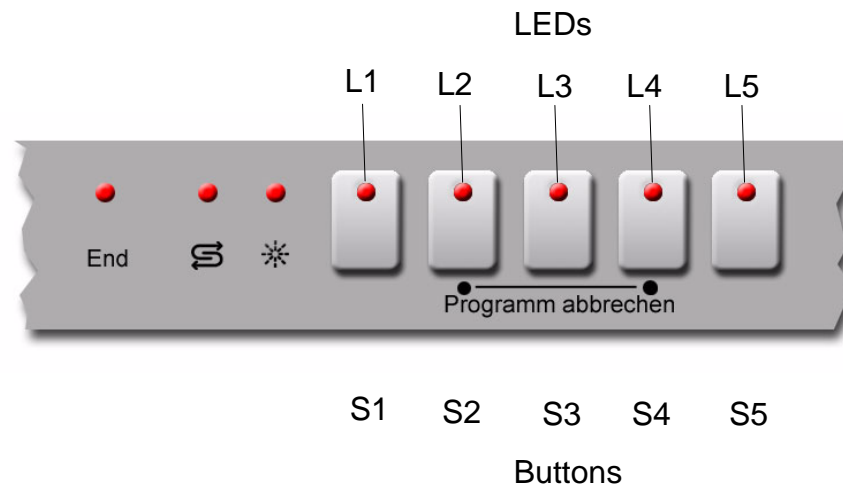


Table:

Coding	S1	S2	S3	S4	S5	LED L2	LED L3	LED L4
0						○	○	○
1	Intensive 70°	Normal	ECO 50°	Quick 35°	Prerinse	●	○	○
2	install coding one					○	●	○
3	install coding one					●	●	○
4		Intensive 70°	Normal	ECO 50°	Quick 35°	○	○	●
5		Normal	ECO 50°	Prerinse		●	○	●
6	install coding one					○	●	●
7	install coding five					●	●	●

Programme symbols:



Intensive 70°



ECO 50°



Prerinse



Normal



Quick 35°



5600 053 033	Ausg.: 07.03
J m. WE/WT GV450	S0-60/0728