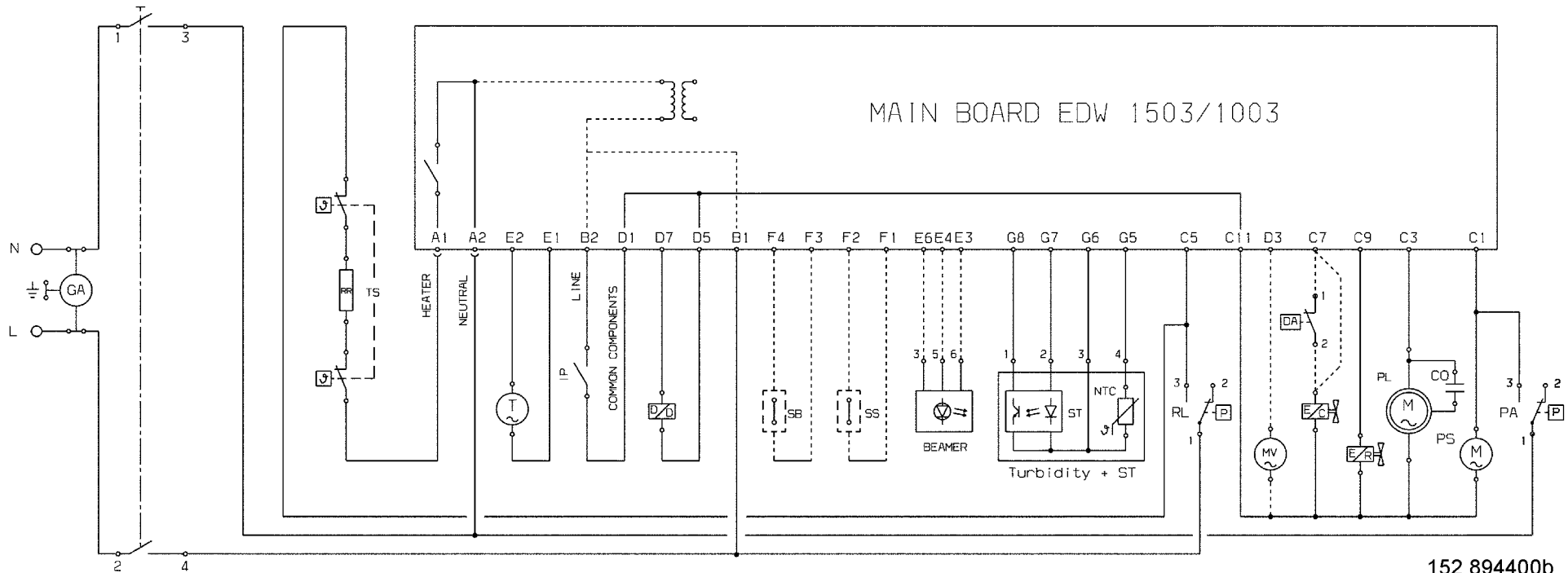


**P00ZM300001301**

|            |                                  |
|------------|----------------------------------|
| AA         | Wasserschutzschalter             |
| CO         | Kondensator                      |
| DD         | Spülmittelbehälter               |
| EC         | Wasserzulaufventil               |
| ER         | Regenerierungselektroventil      |
| IP         | Türschalter                      |
| MR         | Klemmleiste                      |
| MV         | Gebbläsemotor                    |
| PA         | Überlaufschutzdruckwächter       |
| PL         | Waschpumpe                       |
| PR         | Druckwächter                     |
| PS         | Ablaufpumpe                      |
| PU         | Tastenbrett                      |
| RR         | Heizelement                      |
| SB         | Glanzmittelsensor                |
| SS         | Salzerkennung                    |
| ST         | Temperatursensor                 |
| TAC        | Tachogenerator                   |
| MAIN BOARD | Hauptelektronik                  |
| BEAMER     | Tür-Kontrollampe ( geschlossen ) |


---

|       |           |
|-------|-----------|
| AR    | Orange    |
| BI    | Weiss     |
| BL    | Blau      |
| GI-VE | Gelb-Grün |
| GR    | Grau      |
| MA    | Braun     |
| NE    | Schwarz   |
| RO    | Rosa      |



MAIN BOARD EDW 1503/1003

## Programme Table

| Programmes    |                               | Prewash                  |                                   |           | Wash                         |                                   |                              |                                   |           | 1st cold rinse         |                        |           | 2nd cold rinse         |                        |           | Additional rinse       |           | Warm rinse               |                                   |           | Dry           |  |
|---------------|-------------------------------|--------------------------|-----------------------------------|-----------|------------------------------|-----------------------------------|------------------------------|-----------------------------------|-----------|------------------------|------------------------|-----------|------------------------|------------------------|-----------|------------------------|-----------|--------------------------|-----------------------------------|-----------|---------------|---|
| Type          | Programmes                    | Heating (Temperature °C) | Washing time after heating (min.) | Wash type | 1st Heating (Temperature °C) | Washing time after heating (min.) | 2nd Heating (Temperature °C) | Washing time after heating (min.) | Wash type | Washing time (minutes) | Washing time (minutes) | Wash type | Washing time (minutes) | Washing time (minutes) | Wash type | Washing time (minutes) | Wash type | Heating (Temperature °C) | Washing time after heating (min.) | Wash type | Drying (min.) | Cycle time (minutes)  |
| <b>I2</b>     | <b>Intensive (full speed)</b> | 55°C                     | 10'                               | ctrl      | 55°C                         | 5'                                | 68°C                         | 14'                               | ctrl      | 3' (<65°C)             | 3'                     | ctrl      | 3'                     | 3'                     | ctrl      | 5'                     | PW1       | 69°C                     | 16'                               | ctrl      | 24'           | 116'  |
| <b>E1</b>     | <b>Energy label Axx</b>       | ---                      | 10'                               | PW1       | 15,5' <62°C                  | 42'                               | ---                          | ---                               | PW1       | 5' (<60°C)             | ---                    | PW1       | ---                    | ---                    | ---       | 4'                     | PW1       | 16' <68°C                | 2'                                | PW1       | 54'           | 162'  |
| <b>Auto 2</b> | <b>Auto 50-65°C</b>           | ---                      | 8'                                | ctrl      | 50°C                         | 4'                                | 68°C                         | 8'                                | ctrl      | ---                    | 4'                     | PW1       | ---                    | ---                    | ---       | 5'                     | PW1       | 69°C                     | 1'                                | PW1       | 24'           | 92-115'   |
| <b>Q4</b>     | <b>Rinse &amp; Hold</b>       | ---                      | 8'                                | PW1       | ---                          | ---                               | ---                          | ---                               | ---       | ---                    | ---                    | ---       | ---                    | ---                    | ---       | ---                    | ---       | ---                      | ---                               | ---       | ---           | 12'   |
| <b>Q5</b>     | <b>Quick 30 min.</b>          | ---                      | ---                               | ---       | 14,5' <65°C                  | ---                               | ---                          | ---                               | ctrl      | ---                    | ---                    | ---       | ---                    | ---                    | ---       | 5'                     | PW1       | 9' <68°C                 | ---                               | ctrl      | ---           | 31'   |

**Note:** The total duration of the programmes is approximate and does not include the additional rinse, which is optional. The regeneration times in the different phases are not reported, as they are “Una Tantum” and can be performed in any cycle.

**ctrl** ⇨ Wash at constant speed of 2800 rpm. **PW** ⇨ Pulse washing 1600 > 2800 rpm.