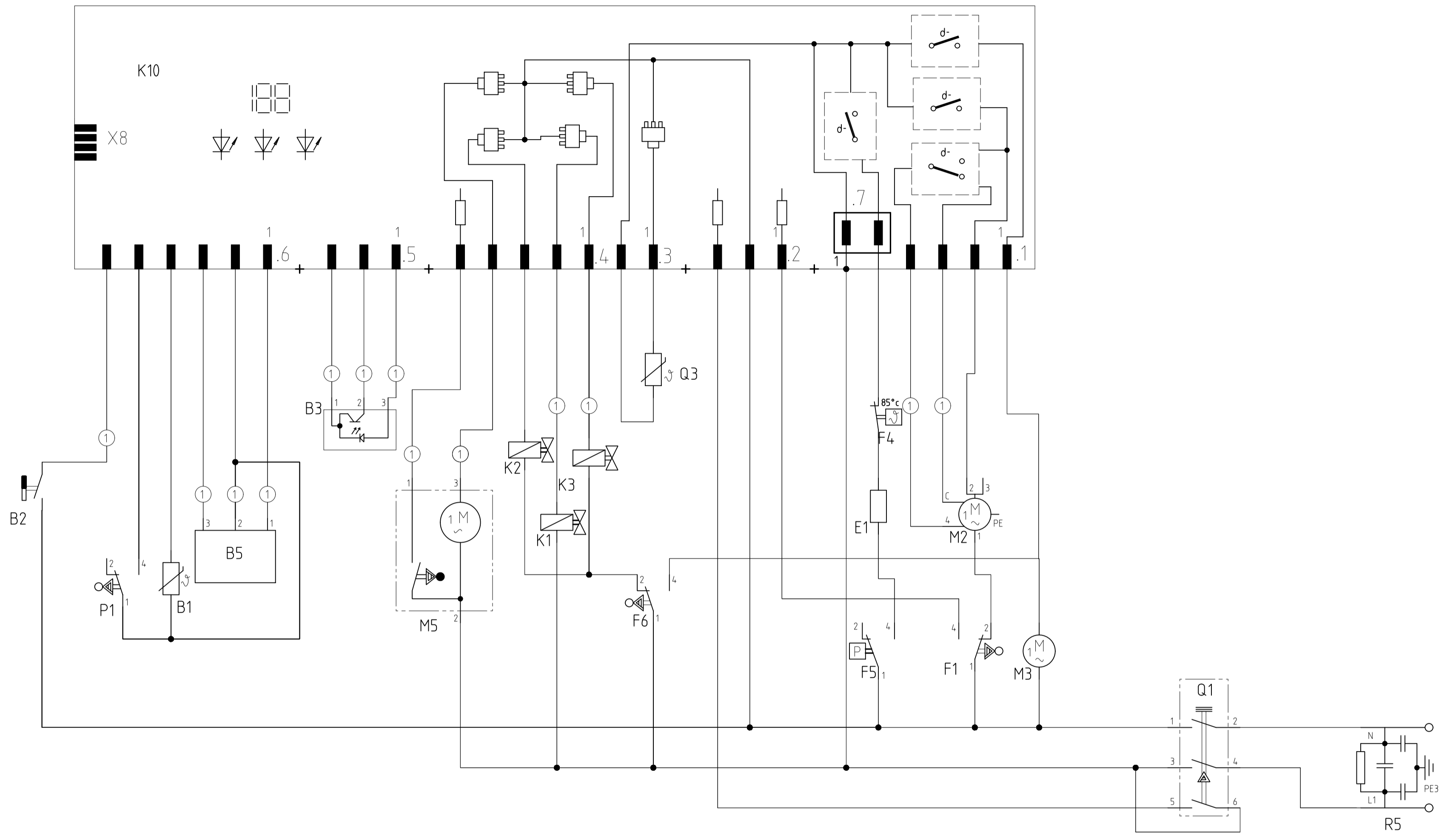


① Fitted depending on features

Designation Connection Diagram GV 450 G/H/I/J	LCS EN	Document No. 5600 0000122467	Rev A	Sheet-No. 1 of 1
		Material No. 9000100033		



REF	Components	Path	REF	Components	Path
B1	Temperature sensor ntc	15	Q1	Main switch	46,48
B2	Low salt sensor	11	Q3	Dispenser actuator	30
B3	Low rinse aid sensor optical	20-22	R5	Mains connection with interference suppressor	52,54
B5	Aqua sensor 1	16-18			
E1	Heater	37			
F1	Door switch	39,40			
F4	Safety thermostat	37			
F5	Safety pressure switch	36,37			
F6	safety pressure switch	29-31			
K1	Regeneration valve	27			
K2	Filler valve	26			
K3	Drainage valve	28			
K10	Control unit	#####			
M2	Circulation pump	39-41			
M3	Detergent solution pump	42			
M5	Water switch	22,24			

① Fitted depending on features

The reproduction, transmission or use of this document or its contents is not permitted without express written authority. Offenders will be liable for damages. All rights including rights created by patent grant or registration of a utility model or design are reserved. Copyright reserved.