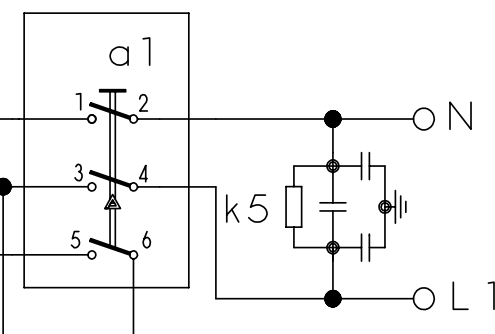


- a1 = main switch
- e1 = door switch
- e2/3 = reed switch
- e6 = float switch
- P1 = flow meter
- NTC = temperature sensor
- f5 = thermostat
- k5 = interference suppression
- K1 = display modul
- K2 = control modul
- K3 = timer modul
- m2 = circulation motor
- m3 = drain motor
- r1 = heating element
- e5 = pressure switch
- s1 = regenerating valve
- s2 = filling valve
- s3 = transfer valve
- A2 = actuator
- x2 = service-connector
- m5 = water switch
- l4 = aqua sensor
- s4 = raw water valve

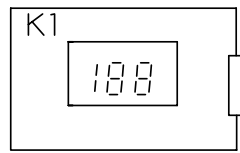
① exit according to equipment  
 ② exit according to version



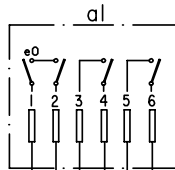
Mat. Nr. 5600060772	
Ausg.: 09.03	S0-60/0799

(GB)

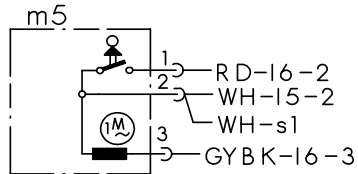
display



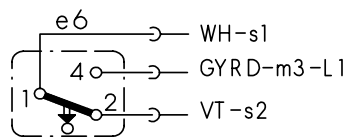
main switch



water points

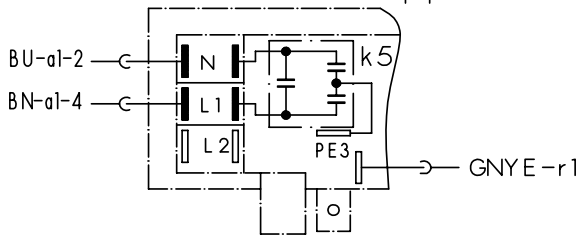


float switch

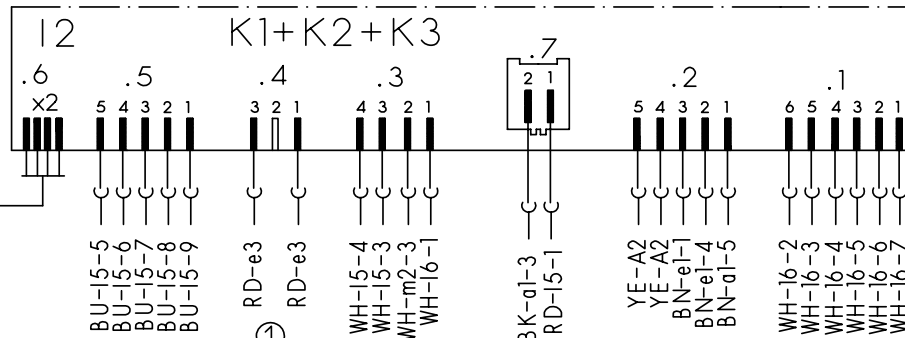


level switch

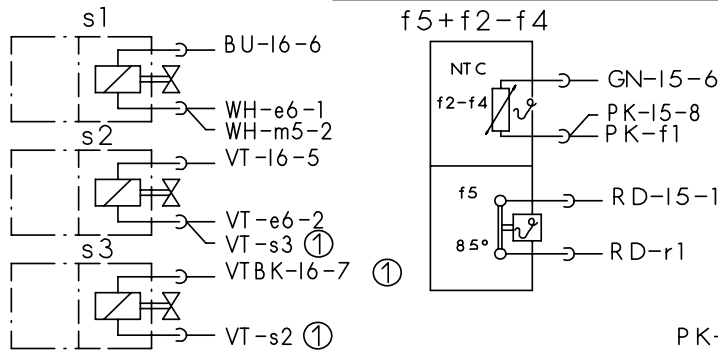
terminal 11 with interference suppression



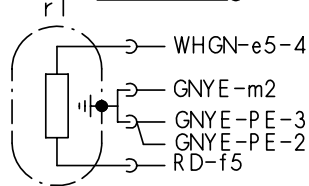
on-off and selector switch



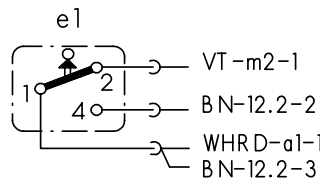
solenoid valves thermostat + NTC



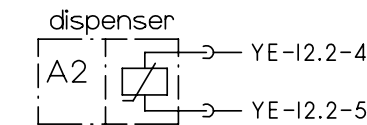
heating



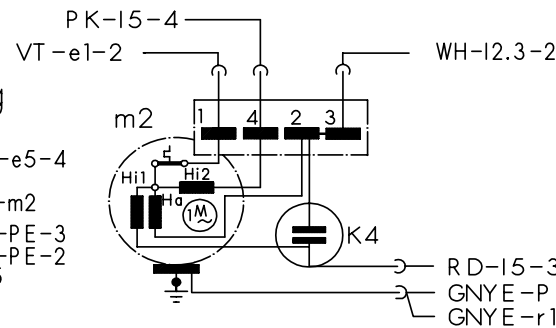
door switch



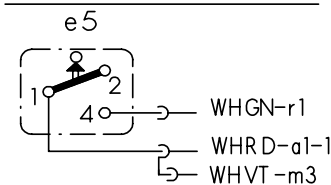
aktuator



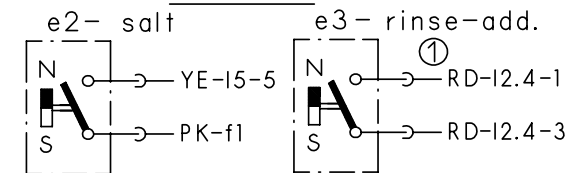
motor



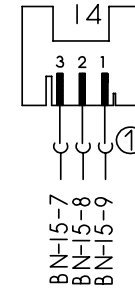
safety switch



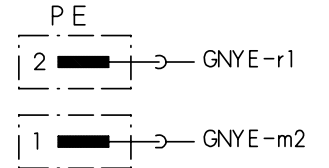
sensor



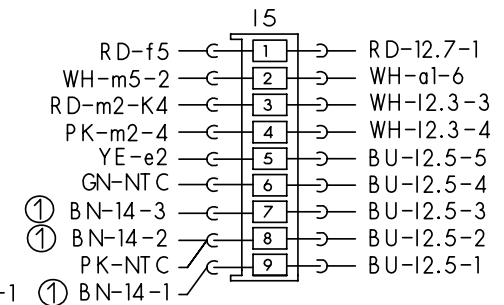
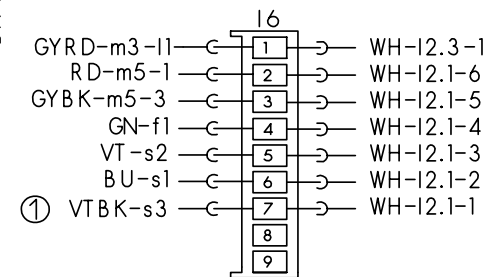
aqua-sensor



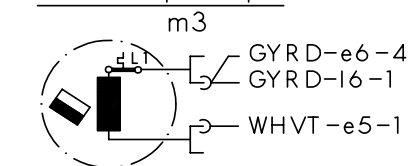
earth terminal



clutch



drain pump



Ⓛ exist according to equipment  
(.) previous color



Mat.Nr.: 9000006175	
Ausg.: 01.04	S0-60/ 0864

# Customer service test programme

## 1 Selection:

When the door is open, hold down two buttons and actuate the main switch until the model code is displayed.

## 2 Select special programme:

When the two buttons are released, LED L3 illuminates and LED L4 flashes. P0 is displayed. Press button S3 to select the required special programme.

- **P0** = Read out fault memory
- **P1** = Customer service test programme
- **P2/P3** = Factory test programmes
- **P4** = Model code

**Press button S4 to acknowledge the selected programme.**

## Read out fault memory (P0)

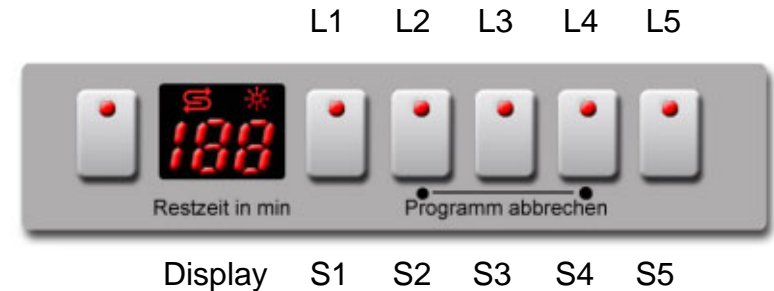
Press button S4 to scan the faults of the last 8 rinse cycles. When the button is pressed, rinse cycle is displayed (00 – 07). When the button is released, the associated fault (see table) is displayed. If several faults occur in one rinse cycle, only the fault with the highest value is displayed.

## Customer service test programme (P1)

Close the door to start the customer service programme.

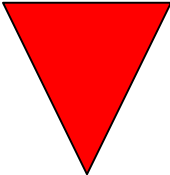
Press button S3 to move to the next programme position.  
(Exception: Move to the next filling step by pressing filling switch F1 only)

A fault which has occurred is displayed immediately (heating fault after 60 minutes). If several faults occur, only the fault with the highest value is displayed. Following each repair, a customer service test programme must be run in order to detect any other faults.



5600 052 469	Ausg.: 02.03
I, WT, GV630	S0-60/0746 2/1

**Fault code:**

Fault code	Fault type	Value
E0	Not a fault	<div style="text-align: center;">                     High                        Low                 </div>
E1	Heating fault	
E2	NTC fault	
E3	Filling fault	
E4	Water points cannot be positioned	
E5	Tachogenerator	
E6	Aqua sensor	
E7	- - -	

**Sequence of the customer service test programme:**

	Function	Temperature	Capacity	Time (s)	Sensor	Symbol
0	P			15		P = Pump
1	VF				F1	VF = Prefill
2	F + AWT + U (Circulation for 100 s at end of filling only)		3.9 l	X		F = Fill (level F1)
3	U + H + ZR	max. 72°C		120		U = Circulate
4	U + H	60°C				H = Heat
5	U + H + R	max. 72°C		120		ZR = Dispense detergent
6	U + ZK			120		ZK = Dispense rinse aid
7	AS_KAL			max240		R = Regeneration valve
8	WP			30		FWW = Fill soft water
9	P			45		AWT = Heat exchanger outlet valve
10	FWW + AWT			60		AS_KAL= Calibrate Aqua sensor
11	SP			30		WP = Alternating pumping
12	P + AWT			30		SP = Intermittent pumping
13						X = calculated refill time

5600 052 469	Ausg.: 02.03
I, WT, GV630	S0-60/0746 2/2