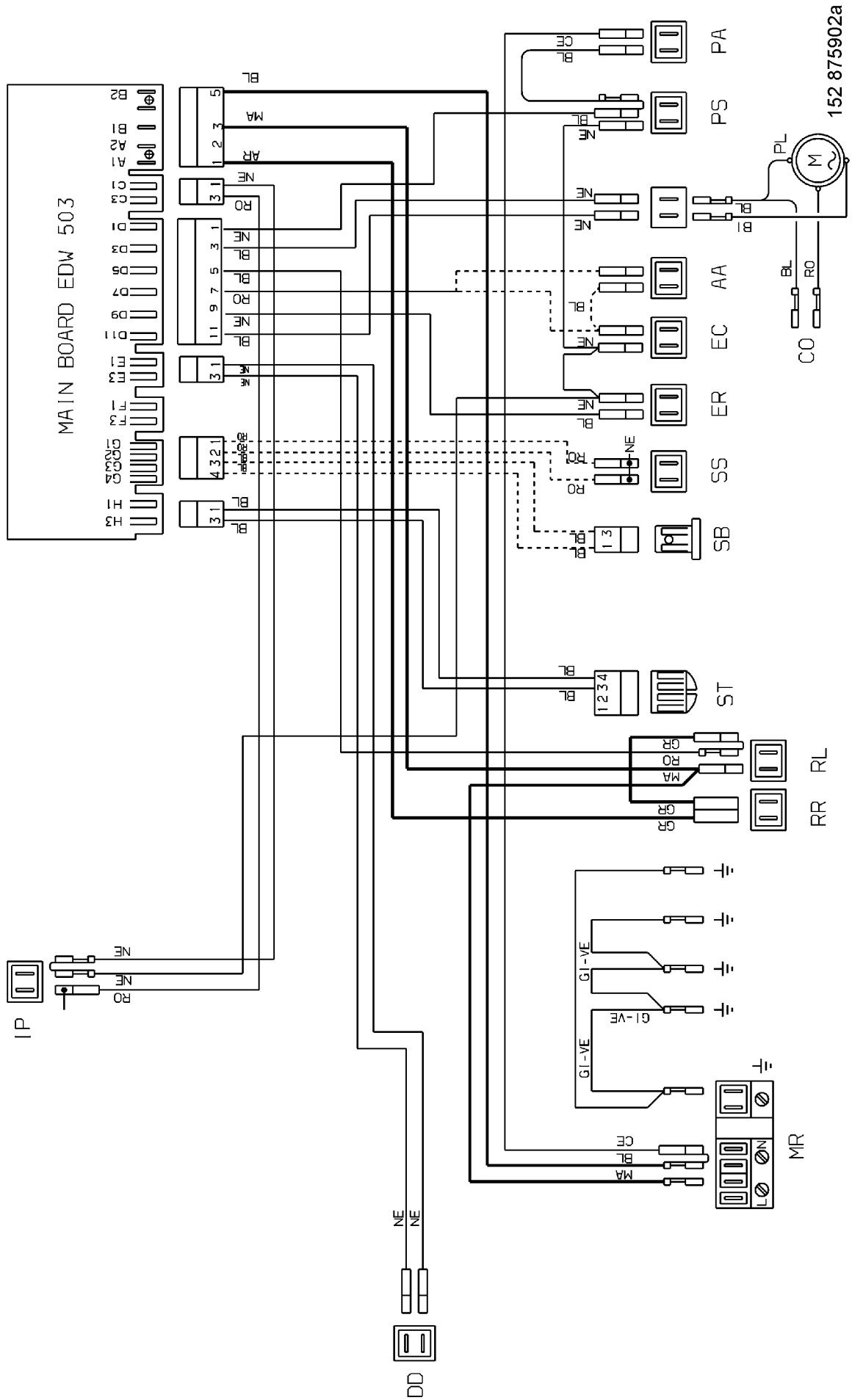
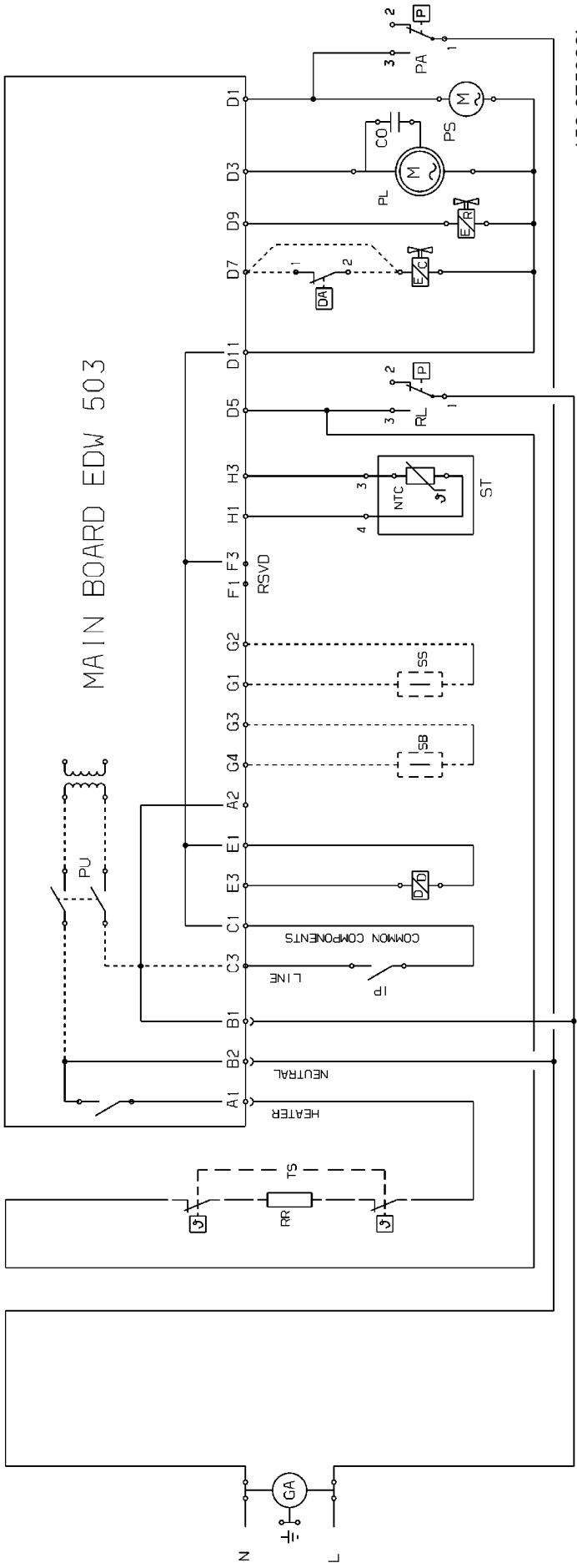


MAIN BOARD EDW 503



MAIN BOARD EDW 503



P00ZM300001553

AA	Wasserschutzschalter
CO	Kondensator
DD	Spülmittelbehälter
EC	Wasserzulaufventil
ER	Regenerierungselektroventil
IP	Türschalter
MR	Klemmleiste
PA	Überlaufschutzdruckwächter
PL	Waschpumpe
PS	Ablaufpumpe
RL	Niveauschalter
RR	Heizelement
SB	Glanzmittelsensor
SS	Salzerkennung
ST	Temperatursensor
MAIN BOARD	Hauptelektronik

AR	Orange
BI	Weiss
BL	Blau
CE	Hellblau
GI-VE	Gelb-Grün
GR	Grau
MA	Braun
NE	Schwarz
RO	Rosa

Programme Table

Programmes		Pre wash			Wash					Rinses			Additional rinse			Hot rinse			⊕
Type	Programmes	Temperature (°C)	Wash time after heating (min.)	Type of Wash	Temperature (°C)	Wash time after heating (min.)	Temperature (°C)	Wash time after heating (min.)	Type of Wash	Temperature (°C)	Wash time after heating (min.)	Type of Wash	Temperature (°C)	Wash time after heating (min.)	Type of Wash	Temperature (°C)	Wash time after heating (min.)	Type of Wash	Cycle time (minutes)
IC	Intensive (ctrl)	55°C	10'	ctrl	55°C	5'	68°C	14'	ctrl	2x3' <65°C	---	ctrl	5' <60°C	---	pw1	69°C	---	ctrl	130
NC	Regular with 3 rinses sanitize	---	6'	ctrl	50°C	4'	68°C	8'	ctrl	---	4'	ctrl	5' <60°C	---	pw1	69°C	---	ctrl	115
E1	Energy label xxx	---	7'	ctrl	15,5' <69°C	26'	---	---	ctrl	5' <60°C	---	pw1	---	2'	3x3s with 2800	16' <69°C	---	pw1	136
Q4	Soak	---	8'	pw1	---	---	---	---	---	---	---	---	---	---	---	---	---	---	12
Q5	Short 30 min.	---	---	---	14,5' <65°C	---	---	---	ctrl	---	---	---	5' <60°C	---	pw1	9' <69°C	---	ctrl	31

152851350/EN/60
 152851380/EN/60
 152851390/EN/60