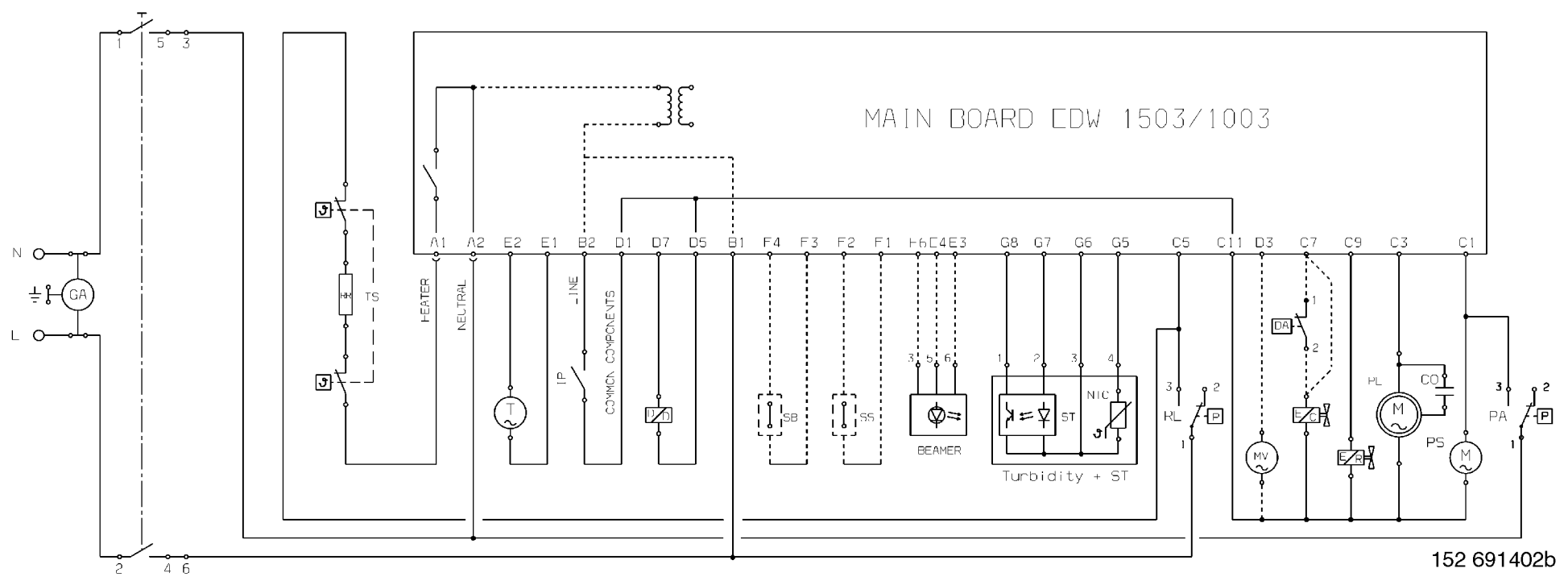



MAIN BOARD EDW 1503/1003



Programme Table

Programmes		Prewash			Wash					1st cold rinse			2nd cold rinse			Additional rinse		Warm rinse			Dry	
Type	Programmes	Heating (Temperature °C)	Washing time after heating (min.)	Wash type	1st Heating (Temperature °C)	Washing time after heating (min.)	2nd Heating (Temperature °C)	Washing time after heating (min.)	Wash type	Washing time (minutes)	Washing time (minutes)	Wash type	Washing time (minutes)	Washing time (minutes)	Wash type	Washing time (minutes)	Wash type	Heating (Temperature °C)	Washing time after heating (min.)	Wash type	Drying (min.)	Cycle time (minutes)
I3	Intensive (short)	50°C	2,5'	ctrl	50°C	10'	68°C	---	ctrl	5' (<68°C)	5'	ctrl	5'	5'	ctrl	5'	PW1	69°C	---	ctrl	6'	88'
E1	Energy label Axx	---	10'	PW1	15,5' <62°C	42'	---	---	PW1	5' (<60°C)	---	PW1	---	---	---	4'	PW1	16' <68°C	2'	PW1	54'	162'
Auto 2	Auto 50-65°C	---	8'	ctrl	50°C	4'	68°C	8'	ctrl	---	4'	PW1	---	---	---	5'	PW1	69°C	1'	PW1	24'	92-115'
Q4	Rinse & Hold	---	8'	PW1	---	---	---	---	---	---	---	---	---	---	---	---	---	---	---	---	---	12'
Q5	Quick 30 min.	---	---	---	14,5' <65°C	---	---	---	ctrl	---	---	---	---	---	---	5'	PW1	9' <68°C	---	ctrl	---	31'

Note: The total duration of the programmes is approximate and does not include the additional rinse, which is optional. The regeneration times in the different phases are not reported, as they are “Una Tantum” and can be performed in any cycle.

ctrl ⇒ Wash at constant speed of 2800 rpm. **PW** ⇒ Pulse washing 1600 > 2800 rpm.