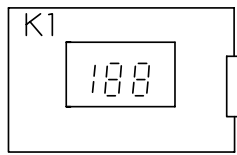
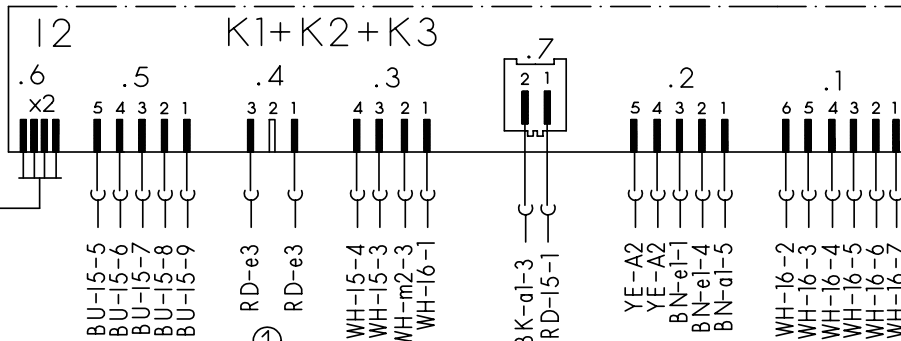


display



main switch

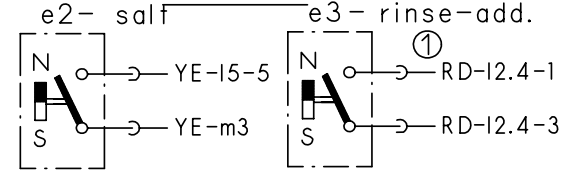
on-off and selector switch



solenoid valves

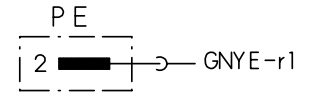
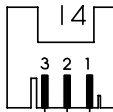
thermostat + NTC

sensor

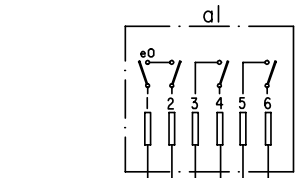
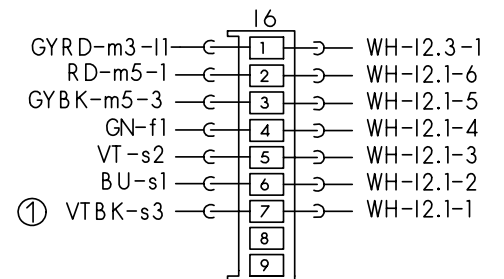


aqua-sensor

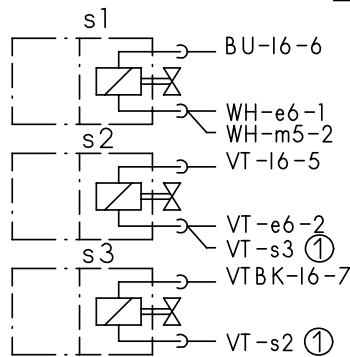
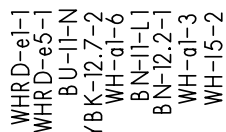
earth terminal



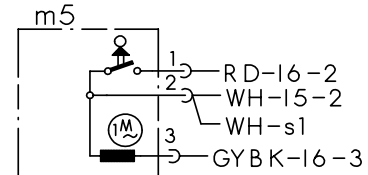
clutch



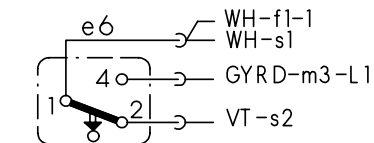
water points



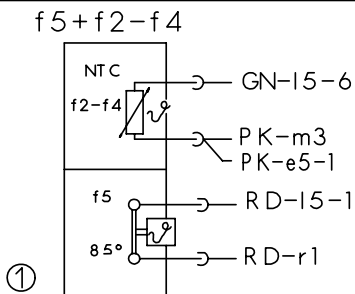
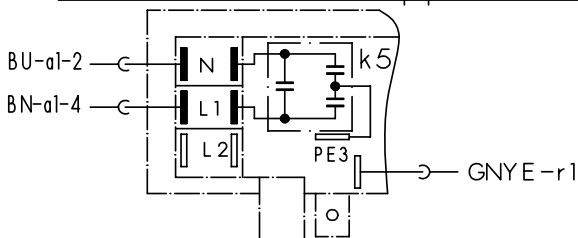
level switch



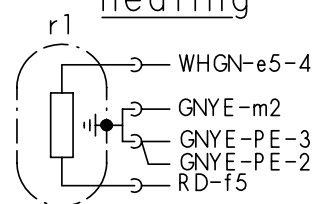
float switch



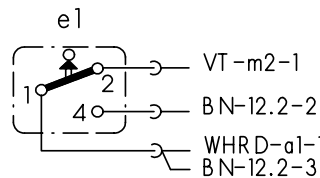
terminal I1 with interference suppression



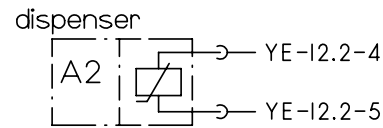
heating



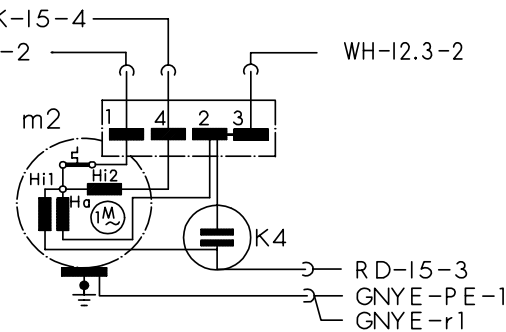
door switch



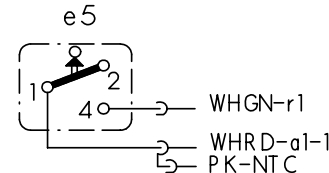
aktuator



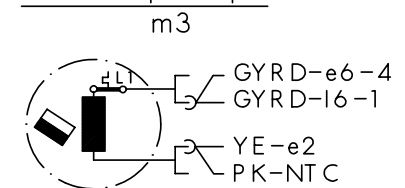
motor



safety switch



drain pump



Ⓛ exist according to equipment
(.) previous color



Mat.Nr.: 5600046314	
Ausg.: 03.02	S0-60/ 0645