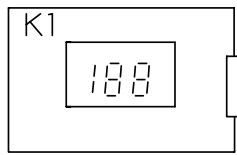
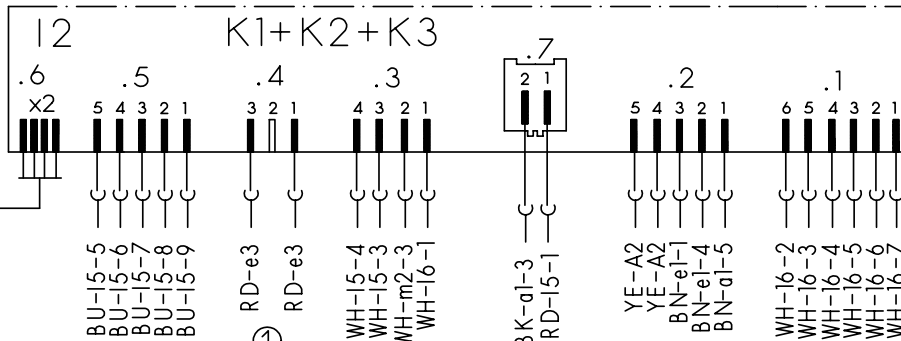


display



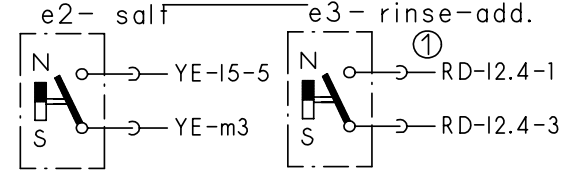
main switch

on-off and selector switch



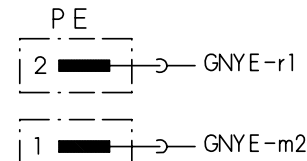
solenoid valves thermostat + NTC

sensor

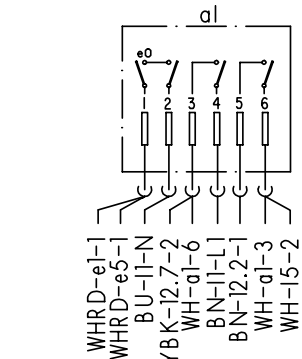
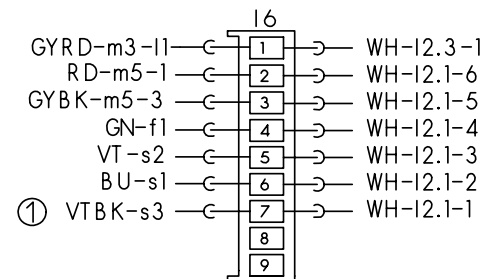


aqua-sensor

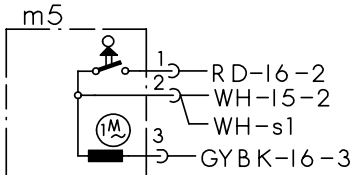
earth terminal



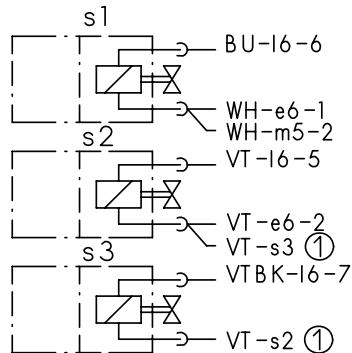
clutch



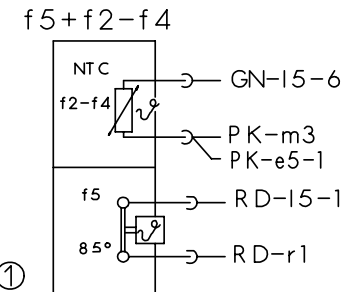
water points



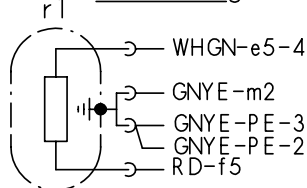
float switch



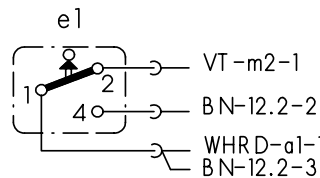
level switch



heating

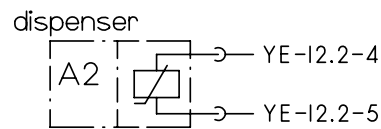


door switch

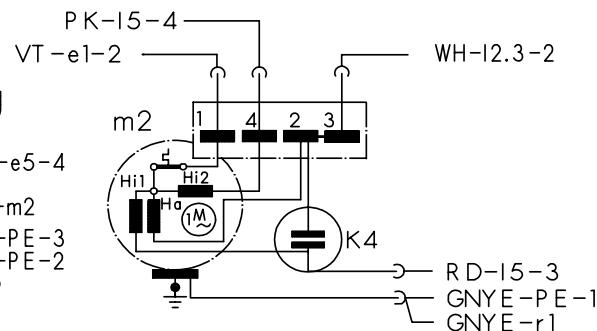


① exist according to equipment
(..) previous color

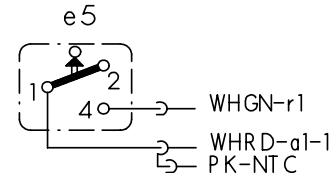
aktuator



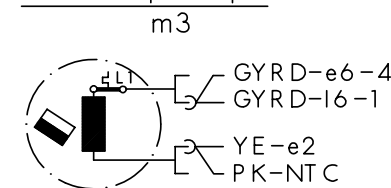
motor



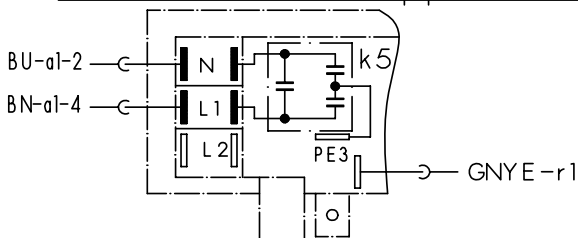
safety switch



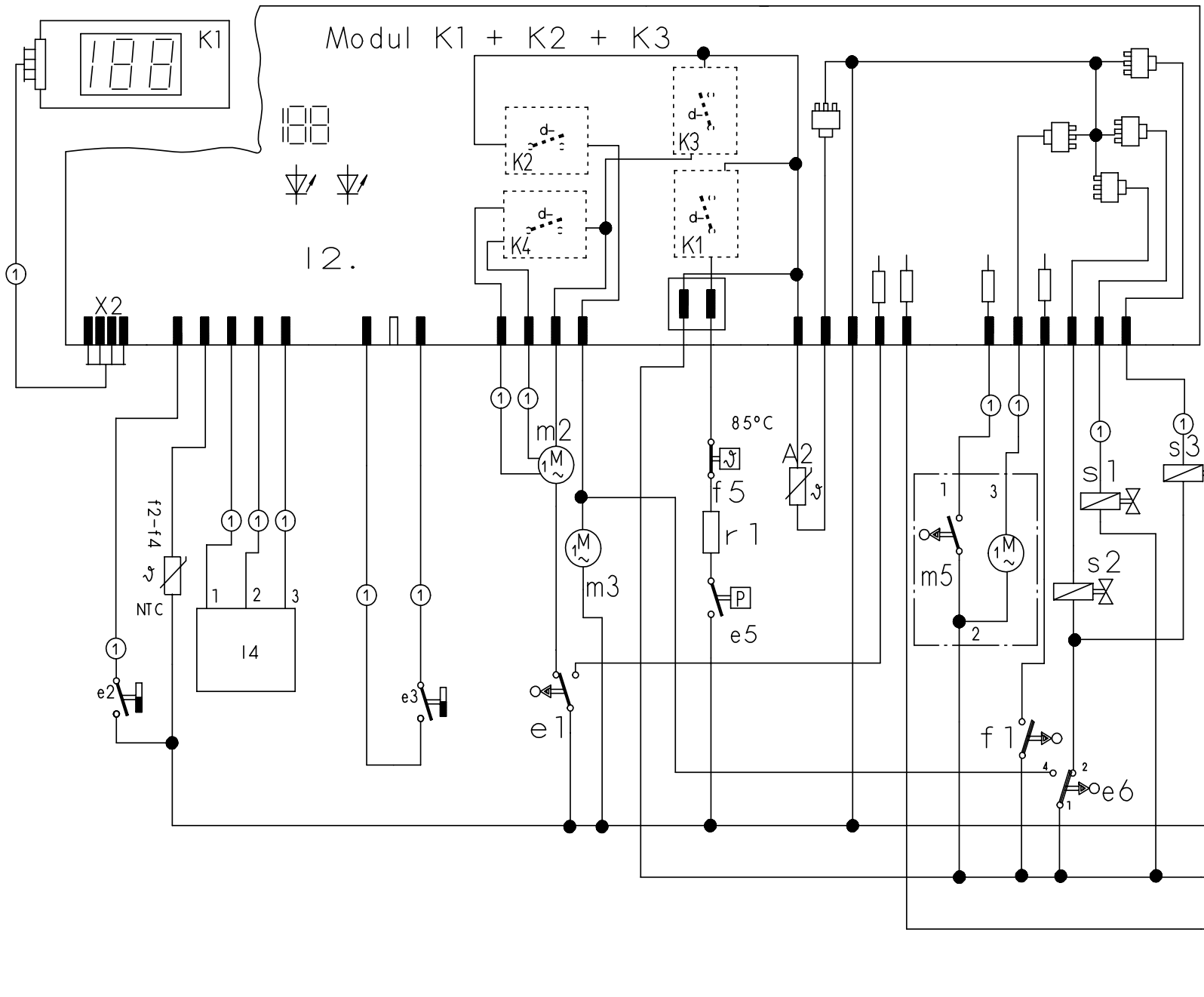
drain pump



terminal l1 with interference suppression

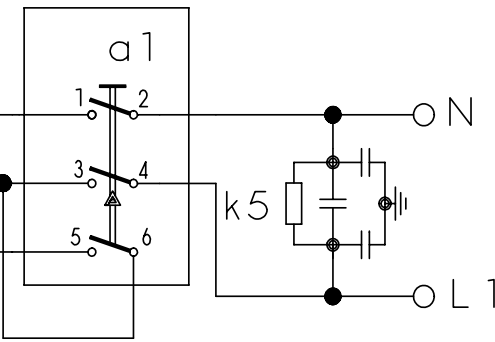


Mat.Nr.: 5600046314	
Ausg.: 03.02	S0-60/ 0645



- a1 = main switch
- e1 = door switch
- e2/3 = reed switch
- e6 = float switch
- f1 = level switch
- f2 = NTC
- f3 = temperature sensor
- f4 = thermostat
- k5 = interference suppression
- K1 = display modul
- K2 = control modul
- K3 = timer modul
- k4 = m2 = circulation motor
- m3 = drain motor
- r1 = heating element
- e5 = pressure switch
- s1 = regenerating valve
- s2 = filling valve
- s3 = transfer valve
- A2 = actuator
- x2 = service-connector
- m5 = water switch
- l4 = aqua sensor
- s4 = raw water valve

① exit according to equipmt



Mat. Nr. 5600046311	
Ausg.: 08.01	S0-60/0675



Customer service test programme

1 Selection:

When the door is open, hold down two buttons and actuate the main switch until the model code is displayed.

2 Select special programme:

When the two buttons are released, LED L3 illuminates and LED L4 flashes. P0 is displayed. Press button S3 to select the required special programme.

- **P0** = Read out fault memory
- **P1** = Customer service test programme
- **P2/P3** = Factory test programmes
- **P4** = Model code

Press button S4 to acknowledge the selected programme.

Read out fault memory (P0)

Press button S4 to scan the faults of the last 8 rinse cycles. When the button is pressed, rinse cycle is displayed (00 – 07). When the button is released, the associated fault (see table) is displayed. If several faults occur in one rinse cycle, only the fault with the highest value is displayed.

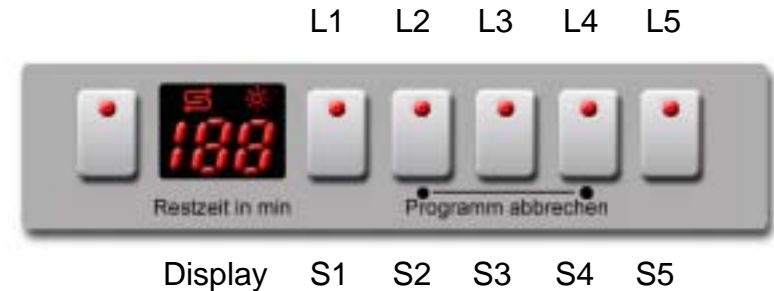
Customer service test programme (P1)

Close the door to start the customer service programme.

Press button S3 to move to the next programme position.

(Exception: Move to the next filling step by pressing filling switch F1 only)

A fault which has occurred is displayed immediately (heating fault after 60 minutes). If several faults occur, only the fault with the highest value is displayed. Following each repair, a customer service test programme must be run in order to detect any other faults.



5600 052 469	Ausg.: 02.03
I, WT, GV630	S0-60/0746 2/1

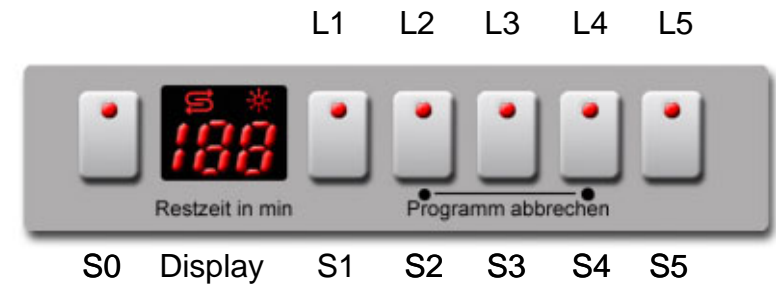
Model code

1 Selection:

When the door is open, hold down two buttons and actuate the main switch until the model code is displayed.

2 Select special programme:

When the two buttons are released, LED L3 illuminates and LED L4 flashes. P0 is displayed. Press button S3 to select the required special programme. Keep pressing button S3 until **P4** is displayed.



Press button S4 to acknowledge the selected programme.

3 Select model:

Press button S3 to select the different codes according to the programme symbols (see table).

4 Save the model:

Switch off the appliance to save the new code

Code table:

S0	S1	S2	S3	S4	S5	Display
TIME DELAY	INTENSIVE 70°	AUTO 55/65°	ECO 50°	QUICK 35°	PRERINSE	C1
TIME DELAY	TOP BASKET	AUTO 55/65°	ECO 50°	QUICK 35°	PRERINSE	C2
TIME DELAY	INTENSIVE 70°	NORMAL 65°	ECO 50°	QUICK 35°	PRERINSE	C3



Intensive 70°



Normal 65°

auto

Auto 55°/ 65°



ECO 50°



Quick 35°



Prerinse



Top basket



Timer

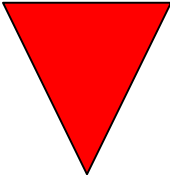
5600 052 055

Ausg.: 11.03

I, WT, GV630

S0-60/0712

Fault code:

Fault code	Fault type	Value
E0	Not a fault	<div style="text-align: center;"> High  Low </div>
E1	Heating fault	
E2	NTC fault	
E3	Filling fault	
E4	Water points cannot be positioned	
E5	Tachogenerator	
E6	Aqua sensor	
E7	- - -	

Sequence of the customer service test programme:

	Function	Temperature	Capacity	Time (s)	Sensor	Symbol
0	P			15		P = Pump
1	VF				F1	VF = Prefill
2	F + AWT + U (Circulation for 100 s at end of filling only)		3.9 l	X		F = Fill (level F1)
3	U + H + ZR	max. 72°C		120		U = Circulate
4	U + H	60°C				H = Heat
5	U + H + R	max. 72°C		120		ZR = Dispense detergent
6	U + ZK			120		ZK = Dispense rinse aid
7	AS_KAL			max240		R = Regeneration valve
8	WP			30		FWW = Fill soft water
9	P			45		AWT = Heat exchanger outlet valve
10	FWW + AWT			60		AS_KAL= Calibrate Aqua sensor
11	SP			30		WP = Alternating pumping
12	P + AWT			30		SP = Intermittent pumping
13						X = calculated refill time

5600 052 469	Ausg.: 02.03
I, WT, GV630	S0-60/0746 2/2