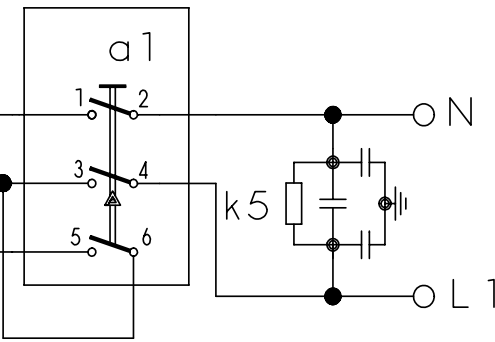


- a1 = main switch
- e1 = door switch
- e2/3 = reed switch
- e6 = float switch
- f1 = level switch
- f5 = temperature sensor
- NTC = thermostat
- k5 = interference suppression
- K1 = display modul
- K2 = control modul
- K3 = timer modul
- m2 = circulation motor
- m3 = drain motor
- r1 = heating element
- e5 = pressure switch
- s1 = regenerating valve
- s2 = filling valve
- s3 = transfer valve
- A2 = actuator
- x2 = service-connector
- m5 = water switch
- L4 = aqua sensor
- s4 = raw water valve

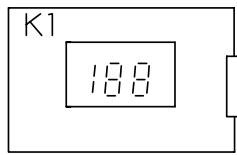
① exit according to equipmt



Mat. Nr. 5600046311	
Ausg.: 08.01	S0-60/0675

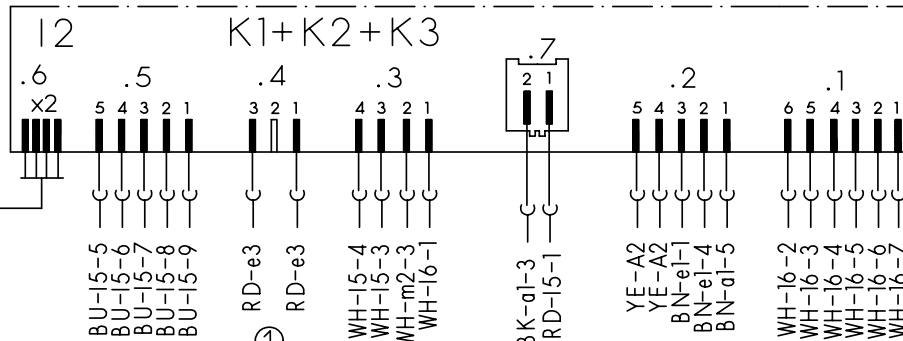


display



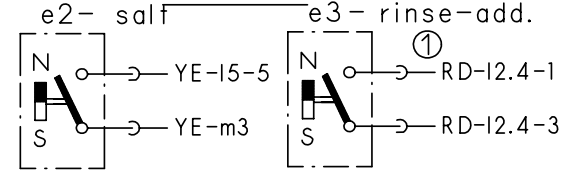
main switch

on-off and selector switch



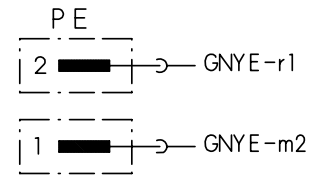
solenoid valves thermostat + NTC

sensor

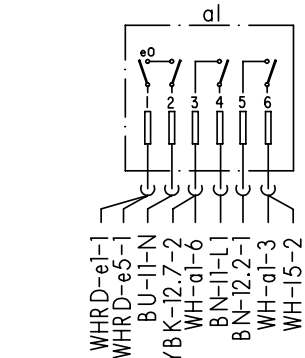
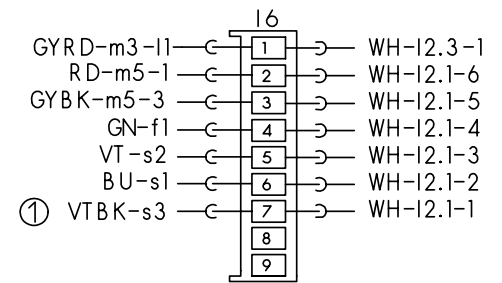


aqua-sensor

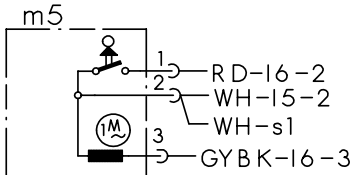
earth terminal



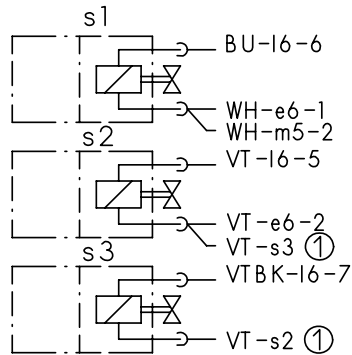
clutch



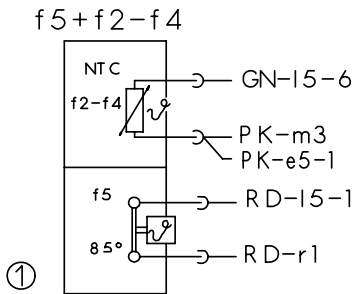
water points



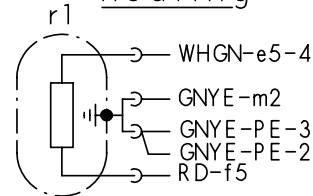
float switch



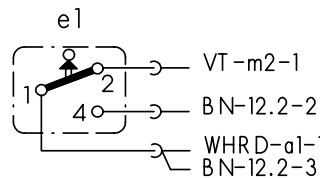
level switch



heating

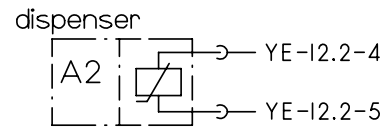


door switch

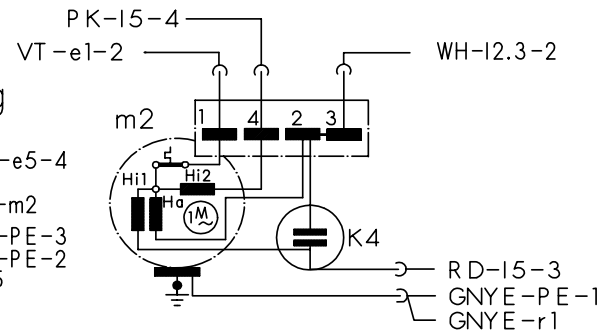


① exist according to equipment
(..) previous color

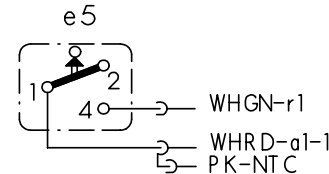
aktuator



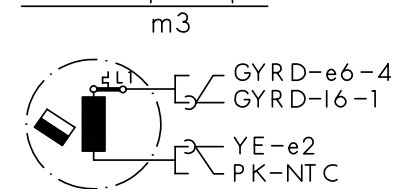
motor



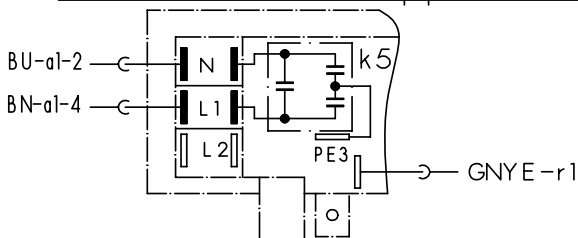
safety switch



drain pump



terminal l1 with interference suppression



Mat.Nr.: 5600046314	
Ausg.: 03.02	S0-60/ 0645