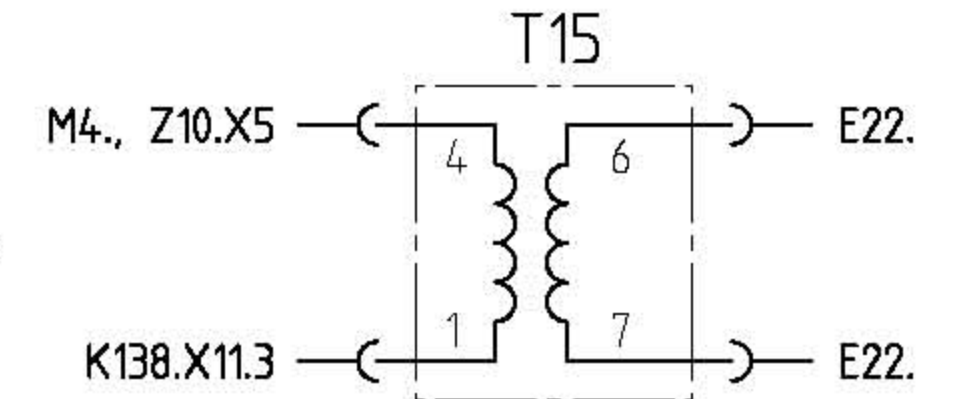
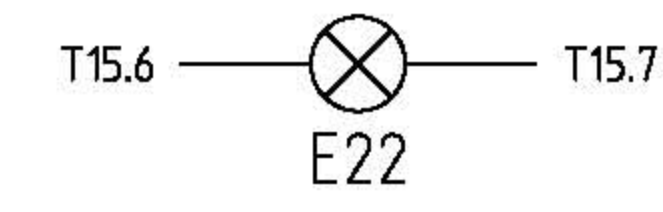
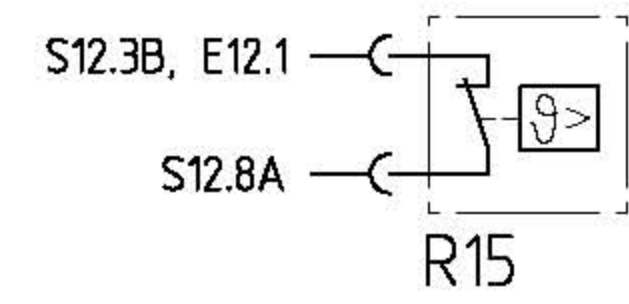
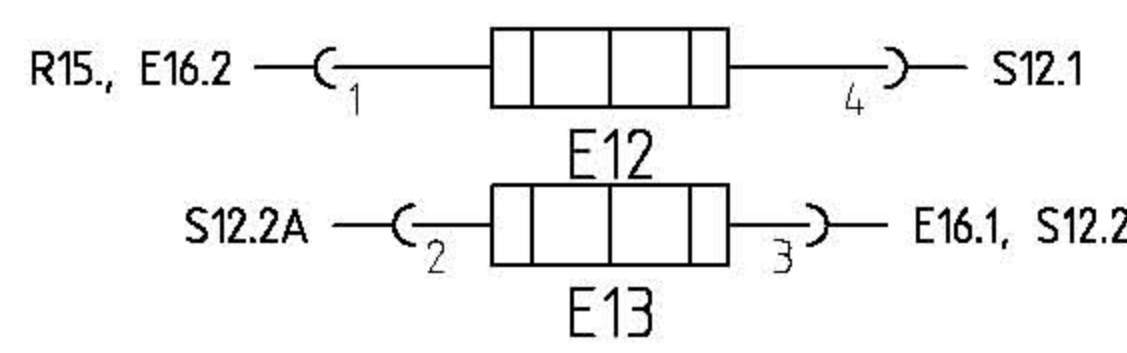
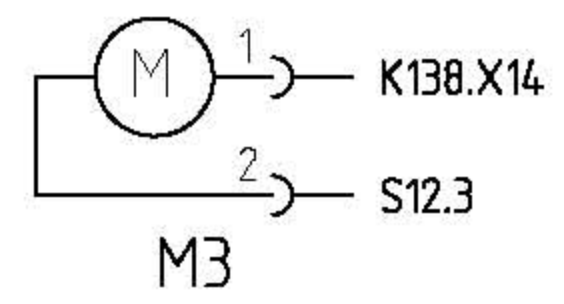
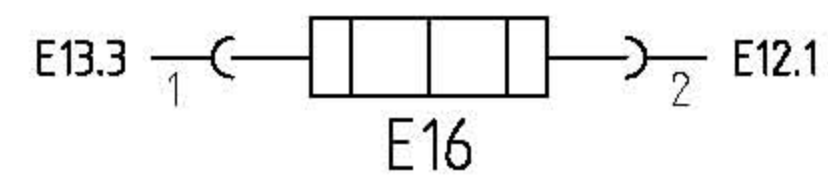
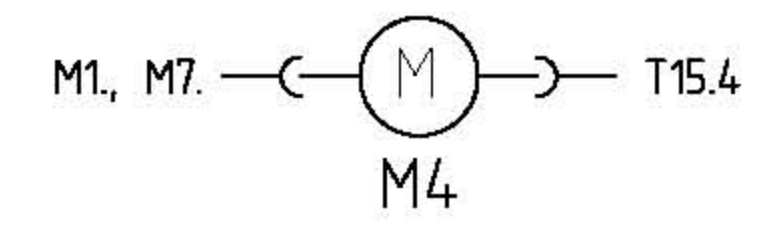
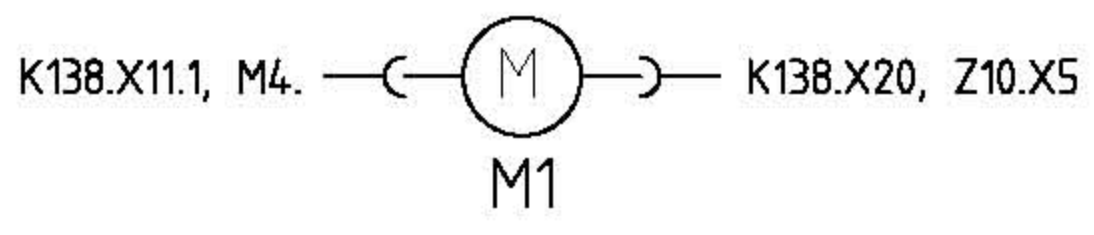
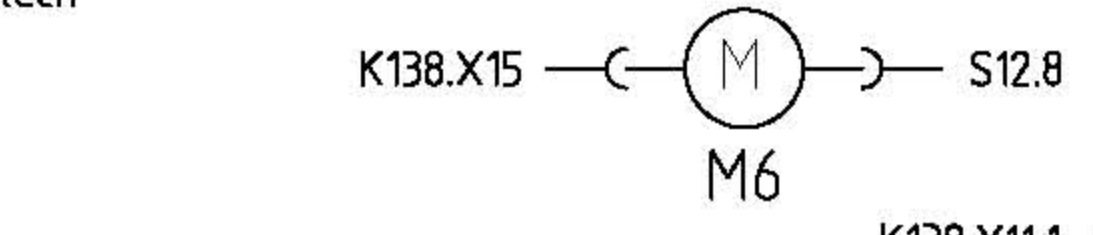
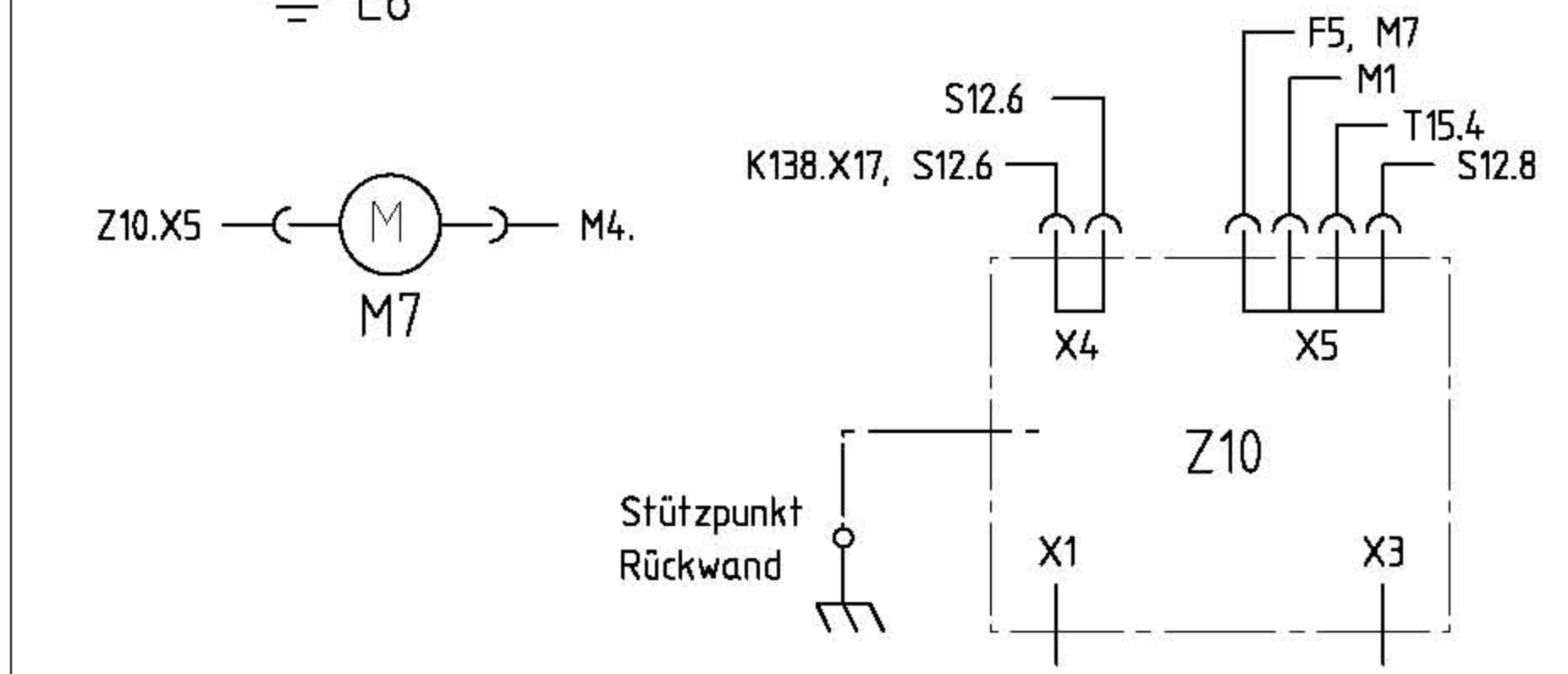
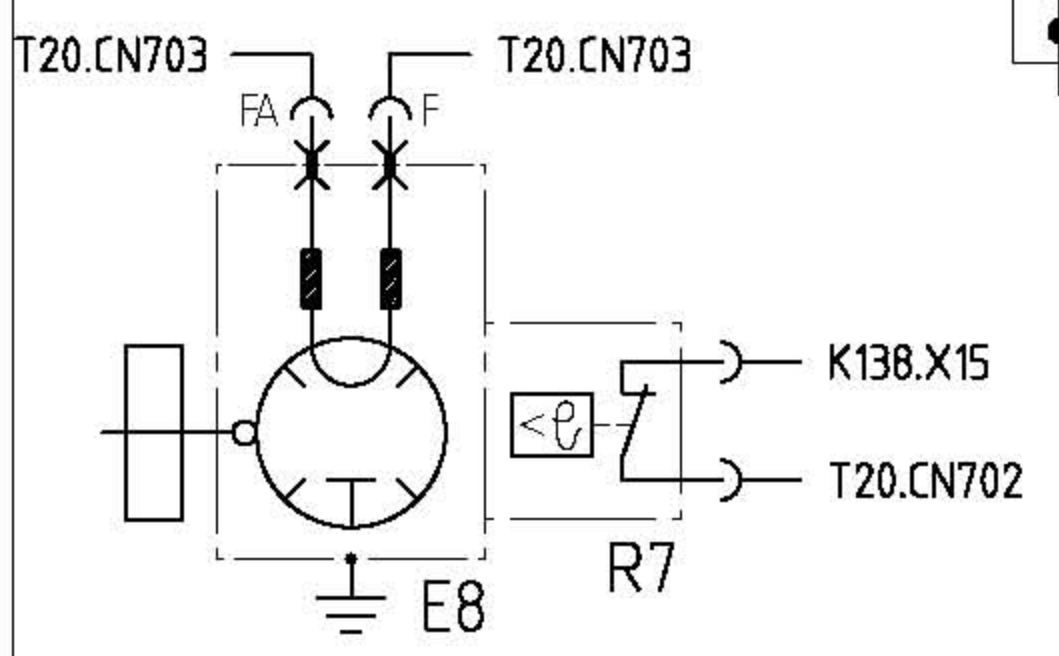
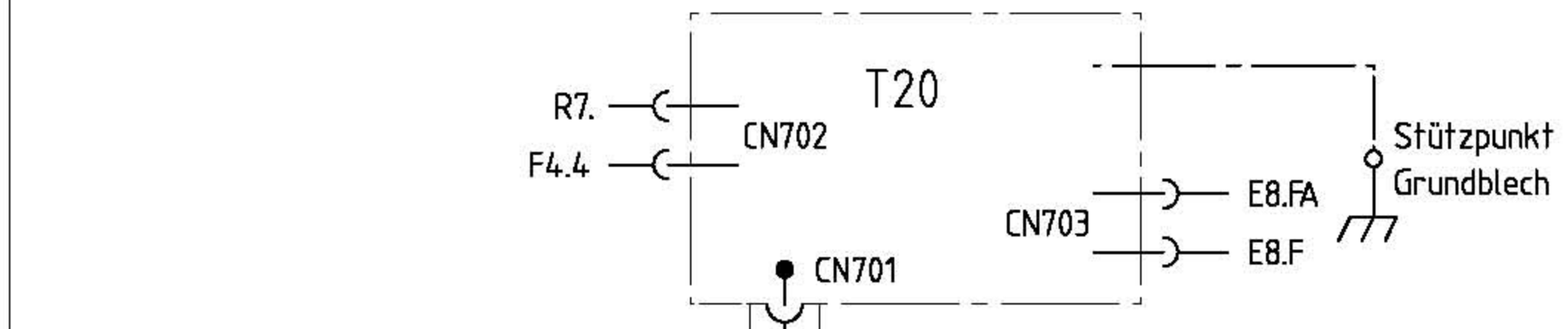
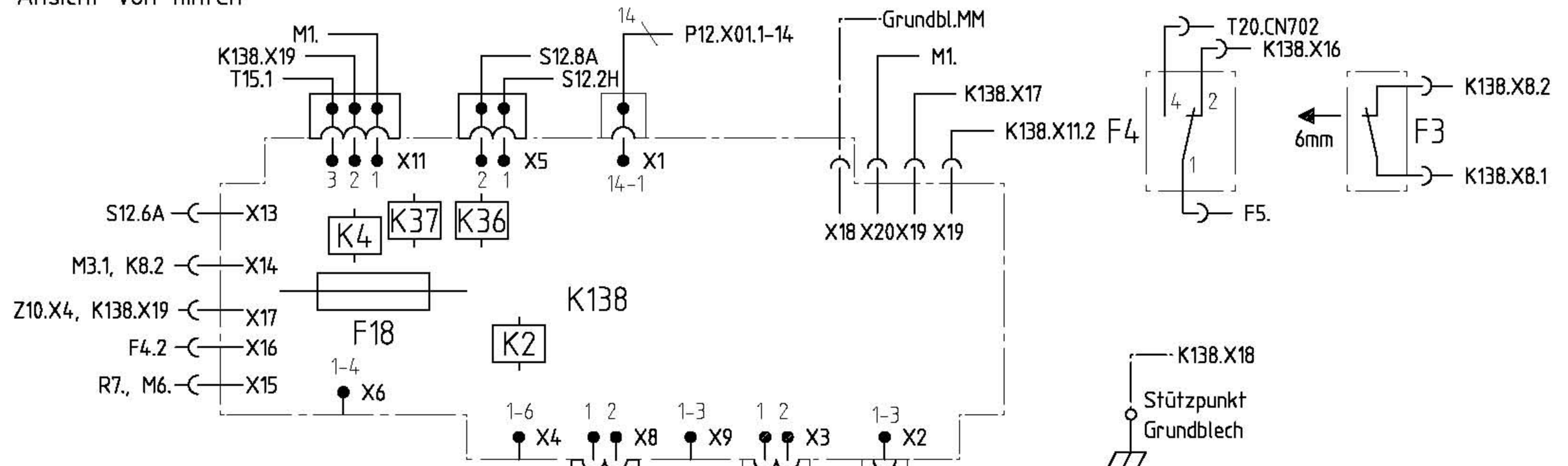
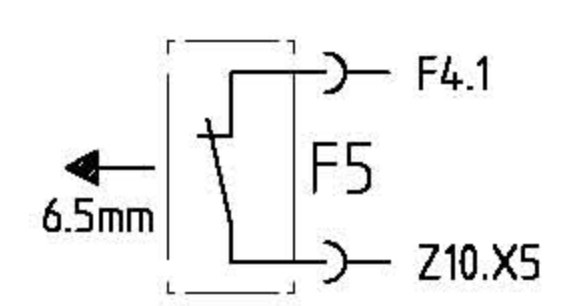
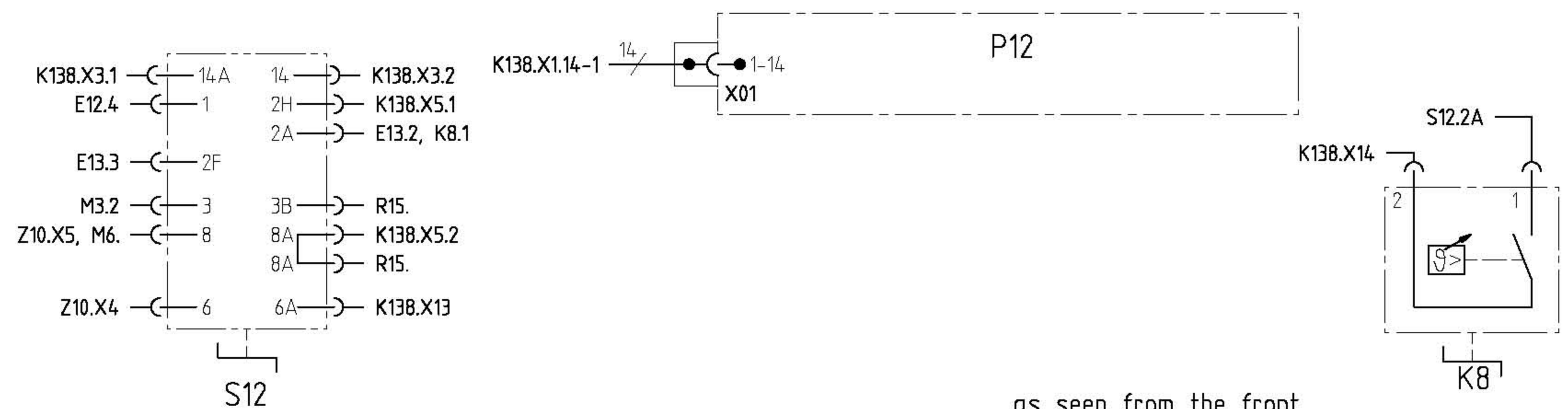


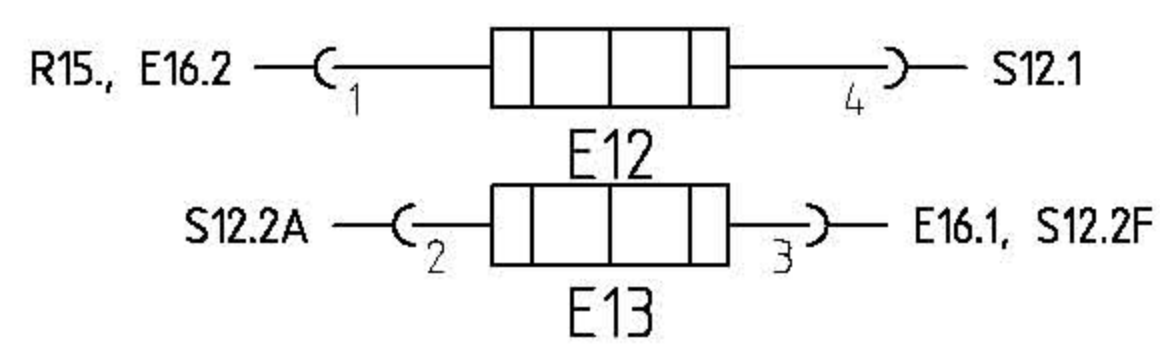
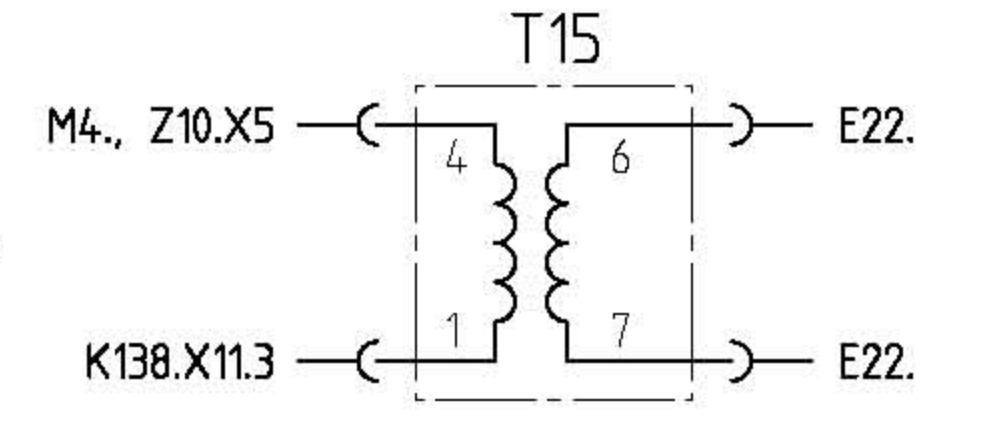
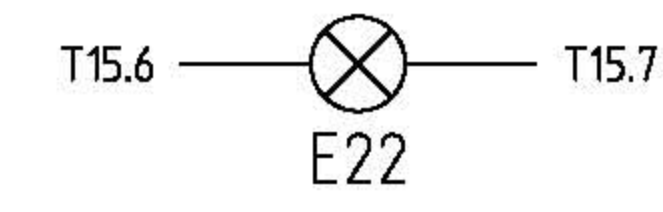
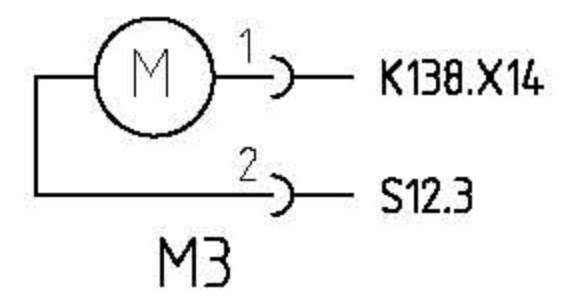
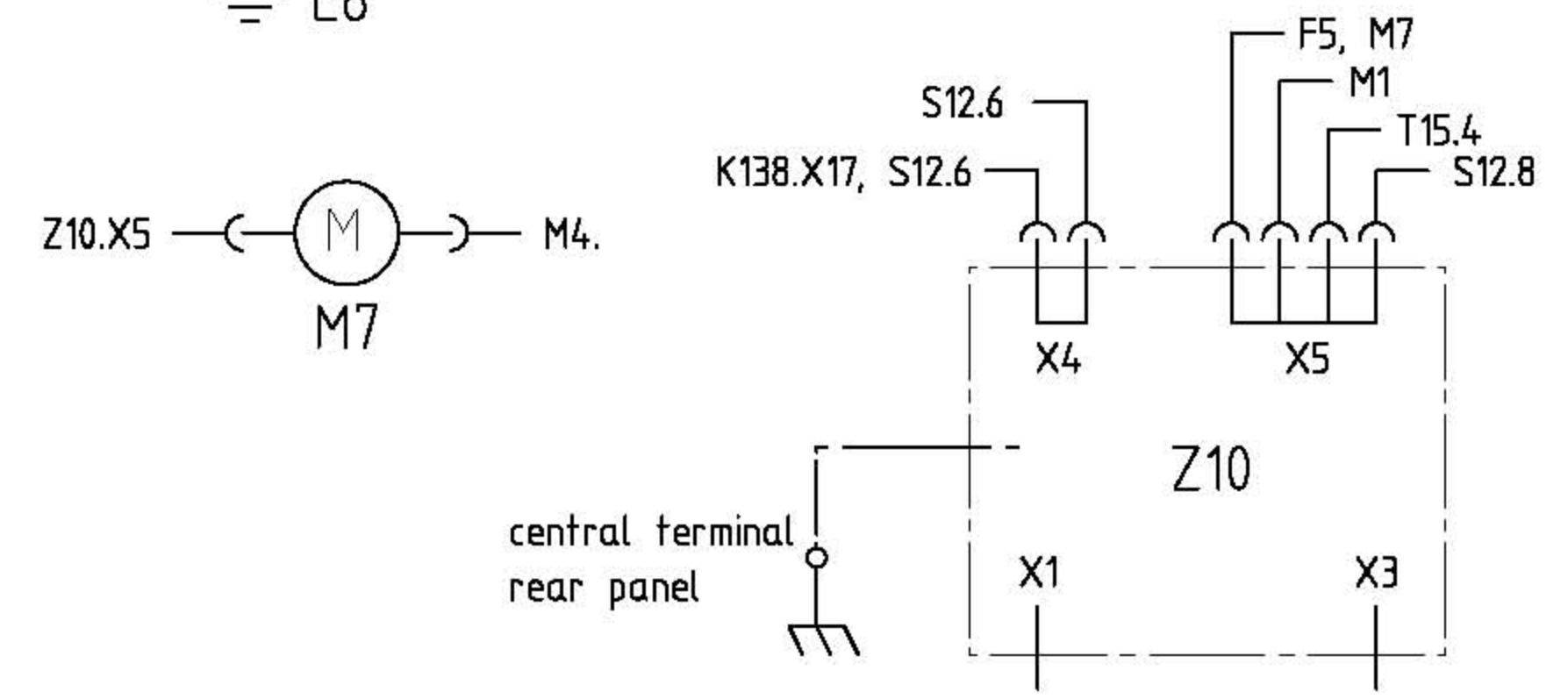
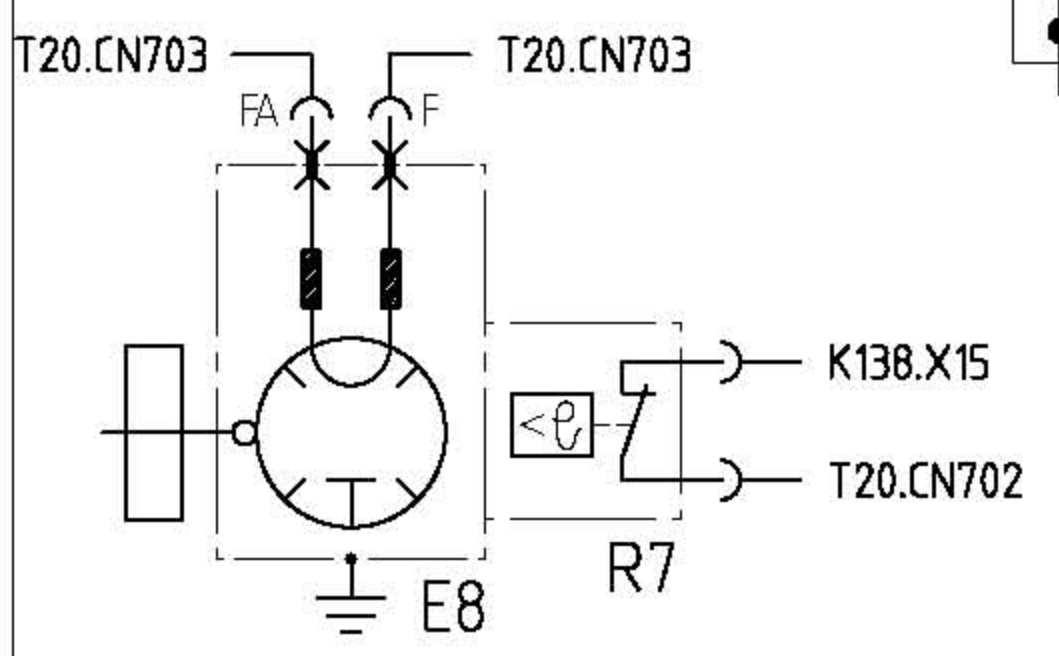
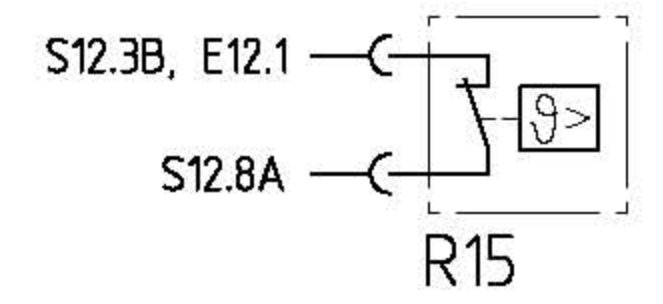
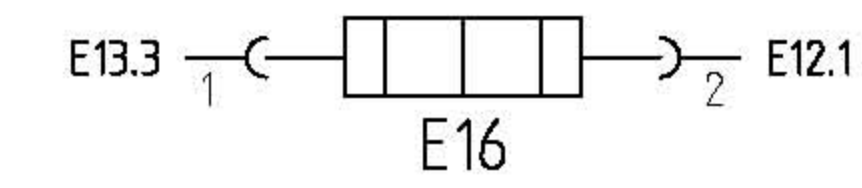
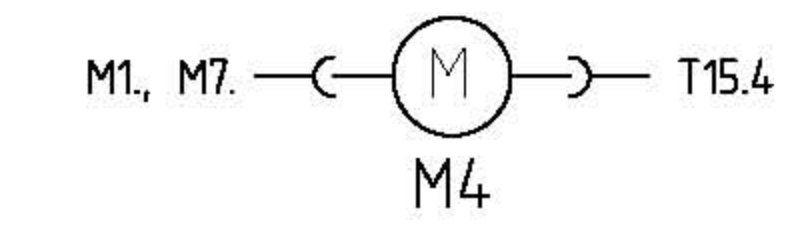
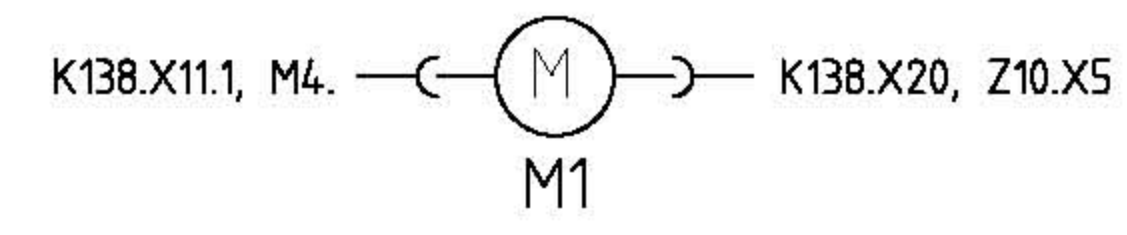
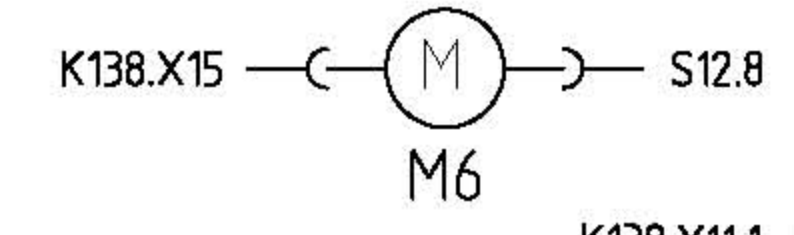
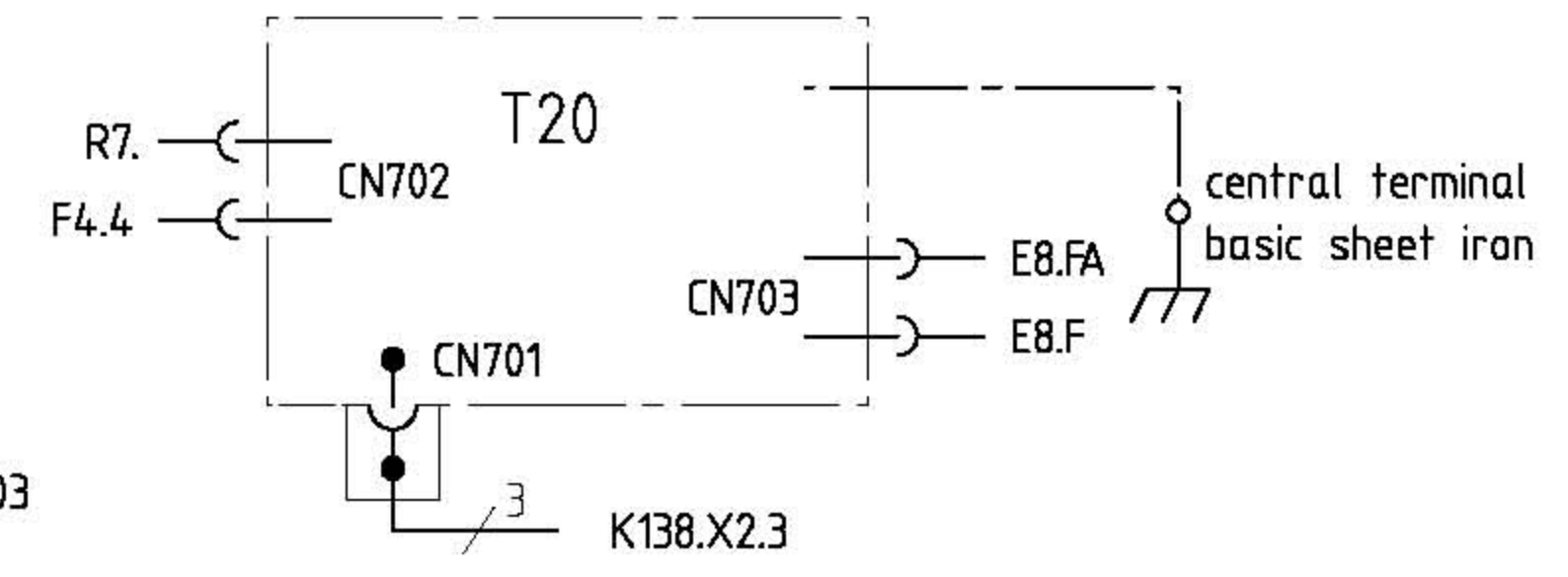
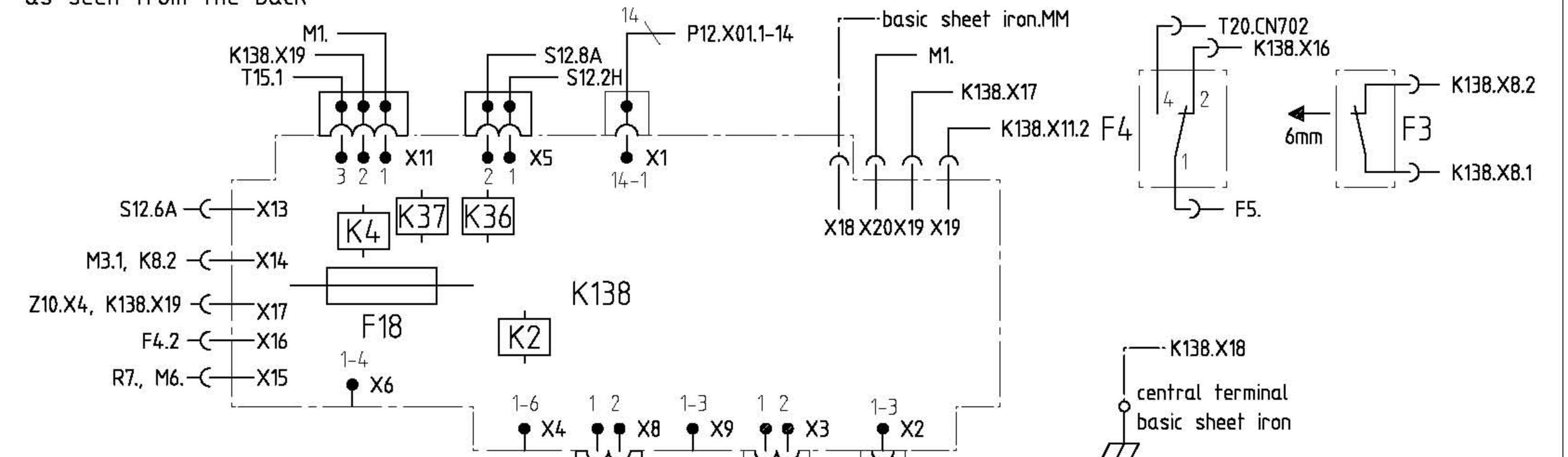
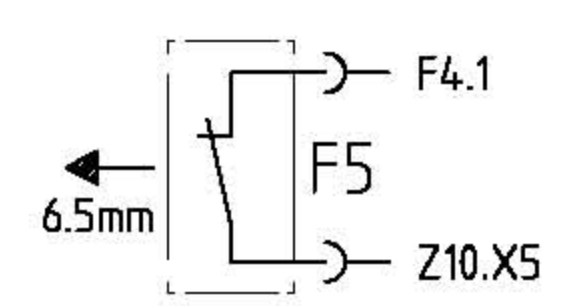
Ansicht von vorne
Ansicht von hinten



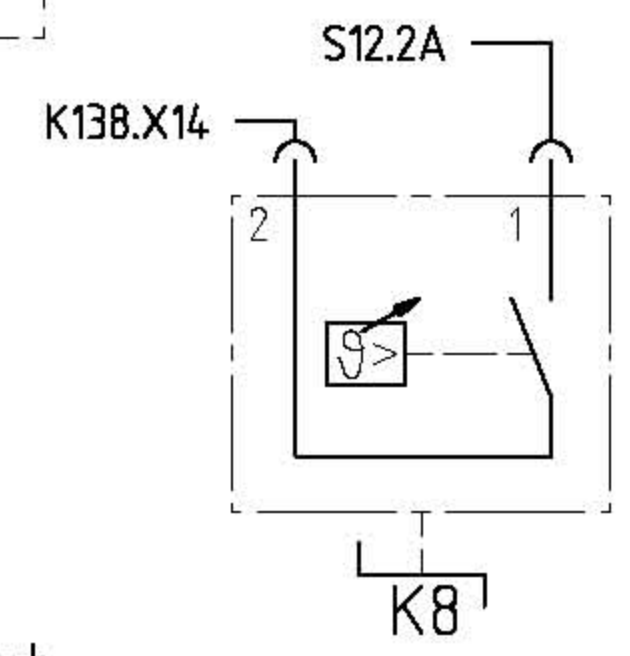
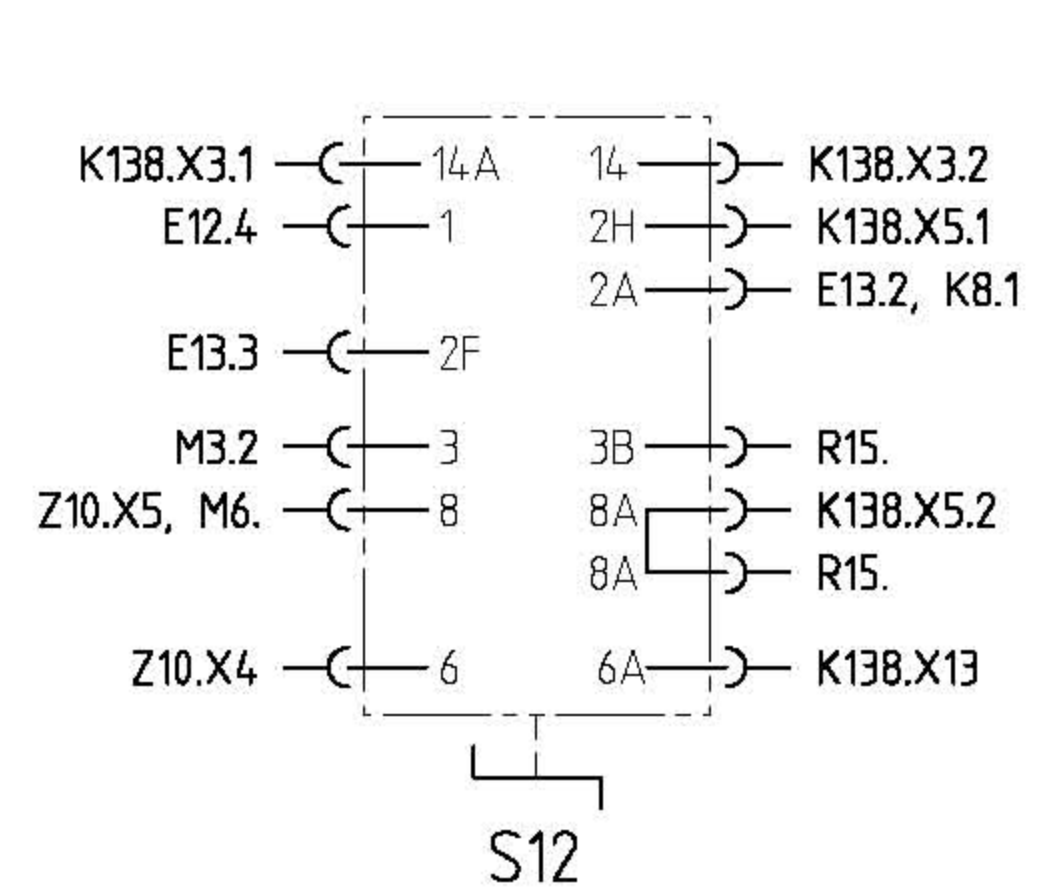
Designation HB84K550	LCS DE	Document No.	Rev	Sheet-No.
		5650 0000066665	A	1 of 1
		Material No. 9000199703		



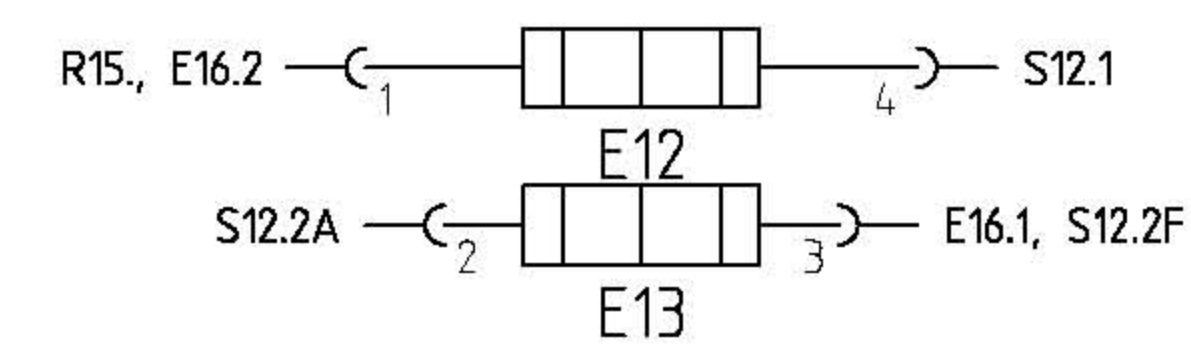
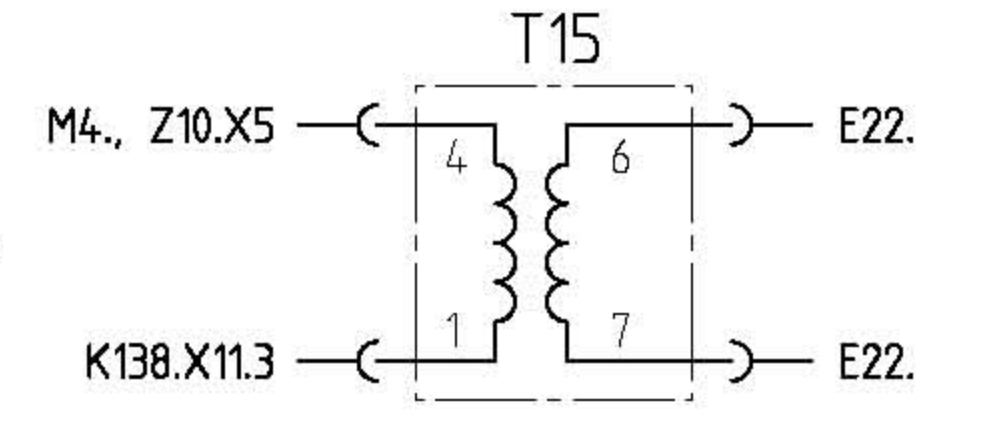
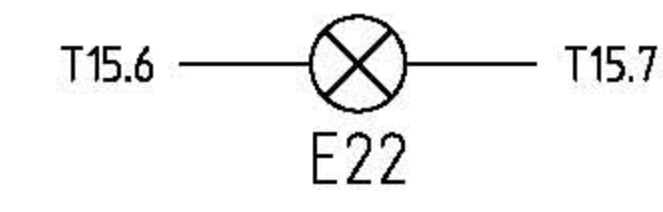
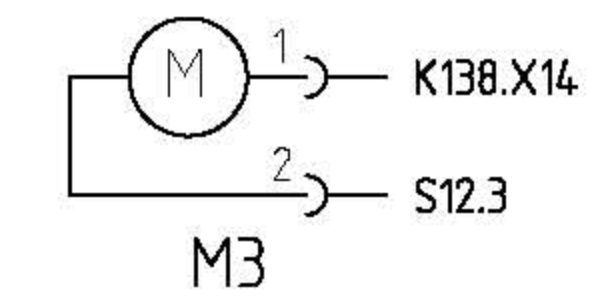
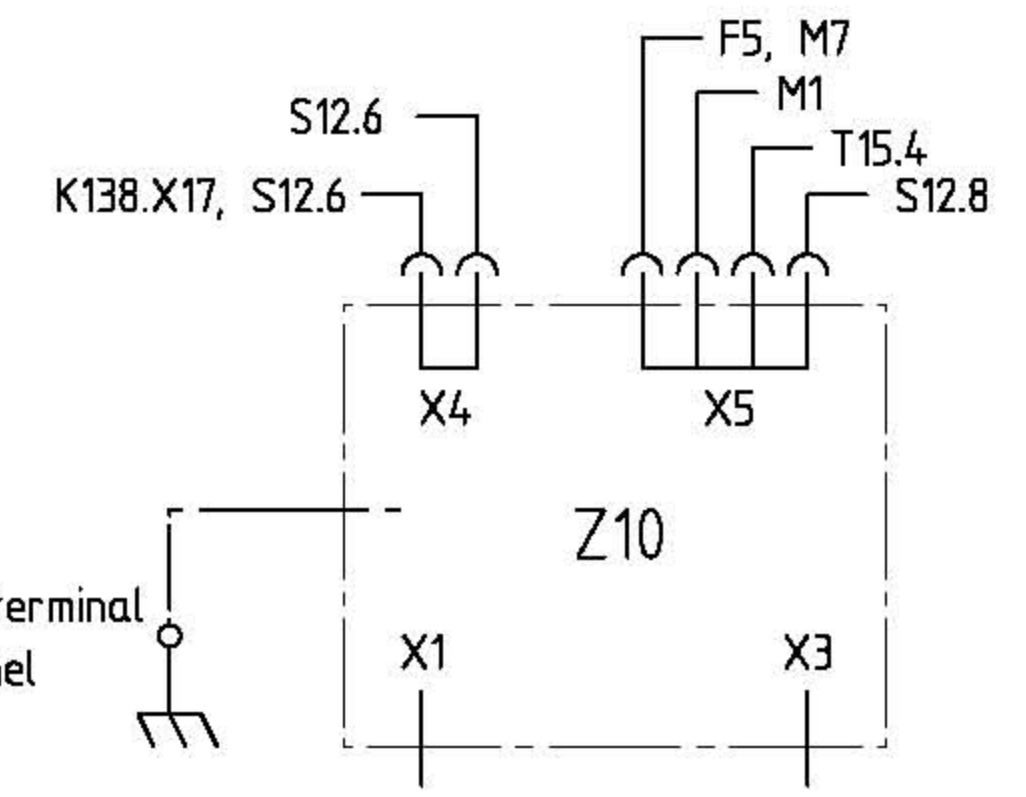
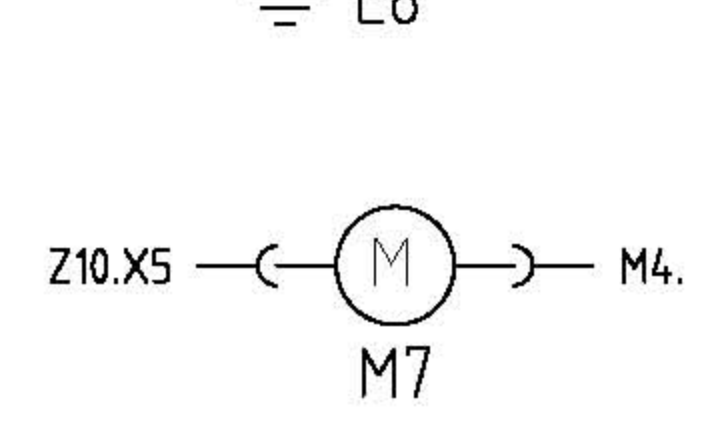
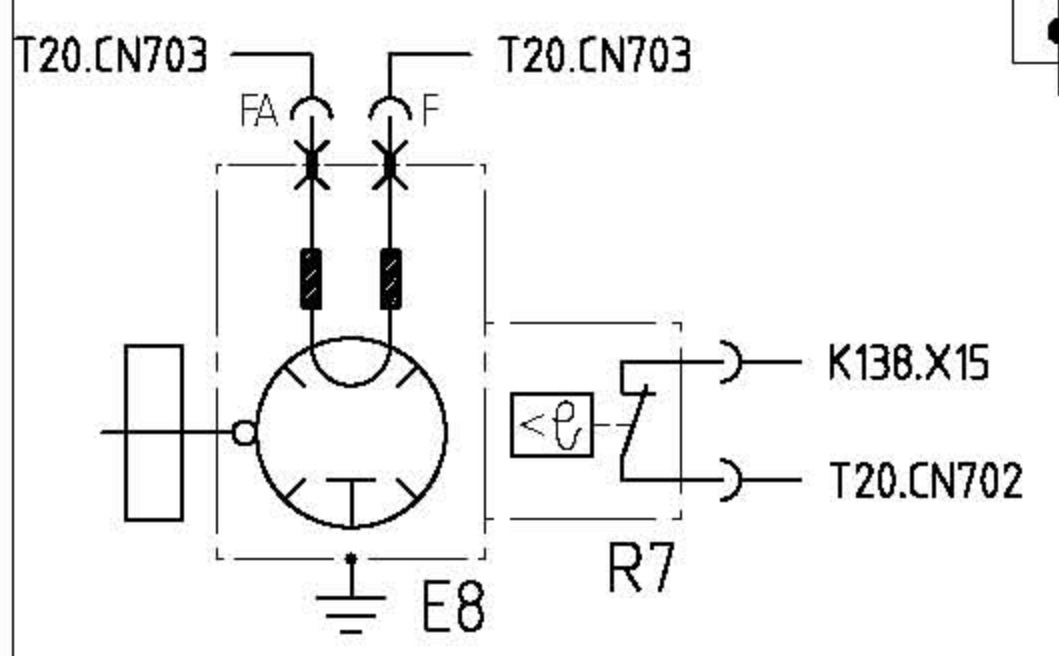
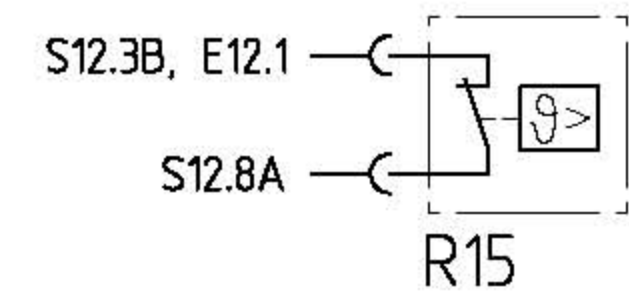
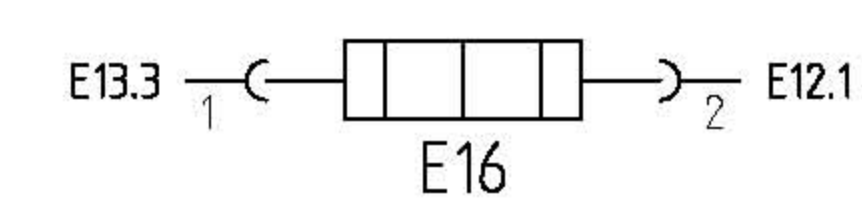
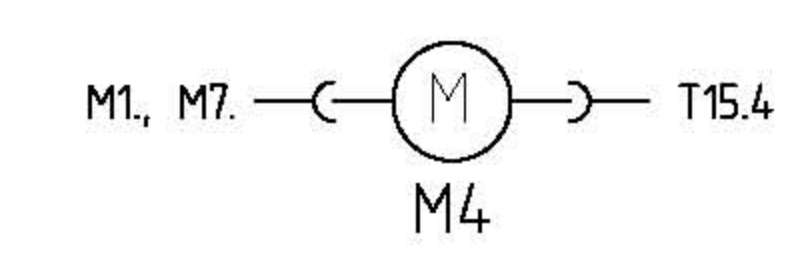
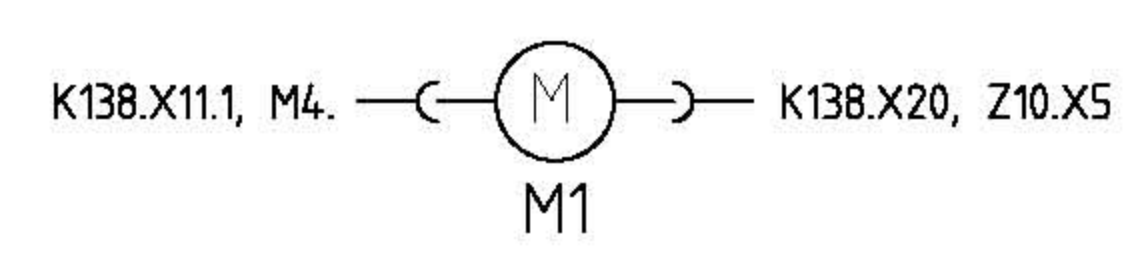
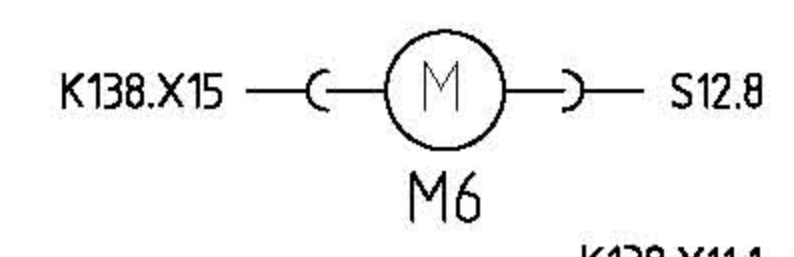
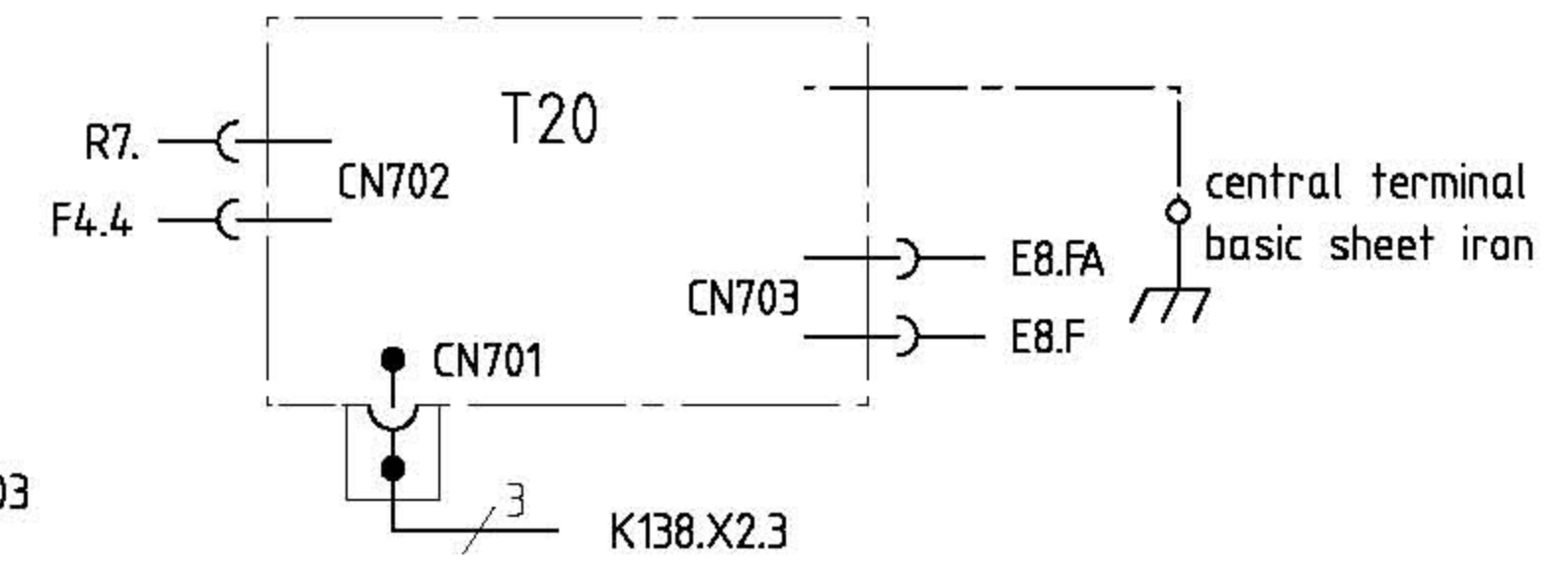
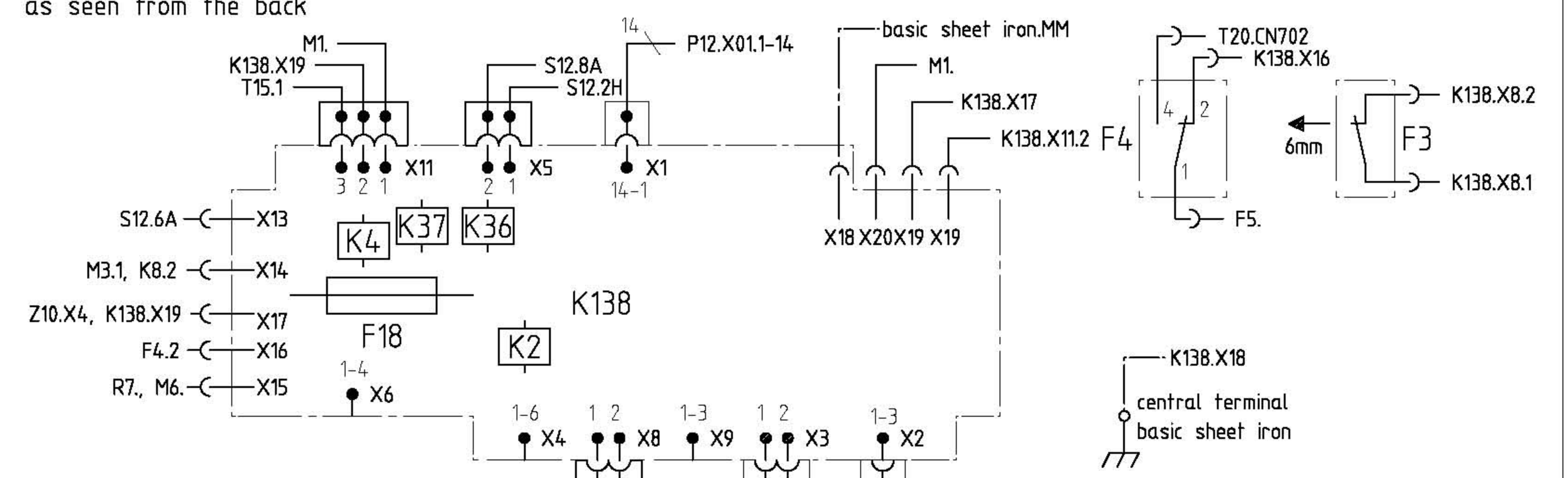
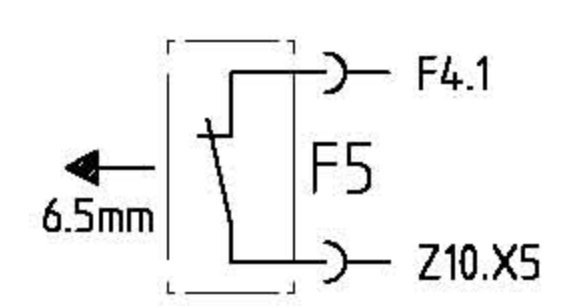
as seen from the front
as seen from the back



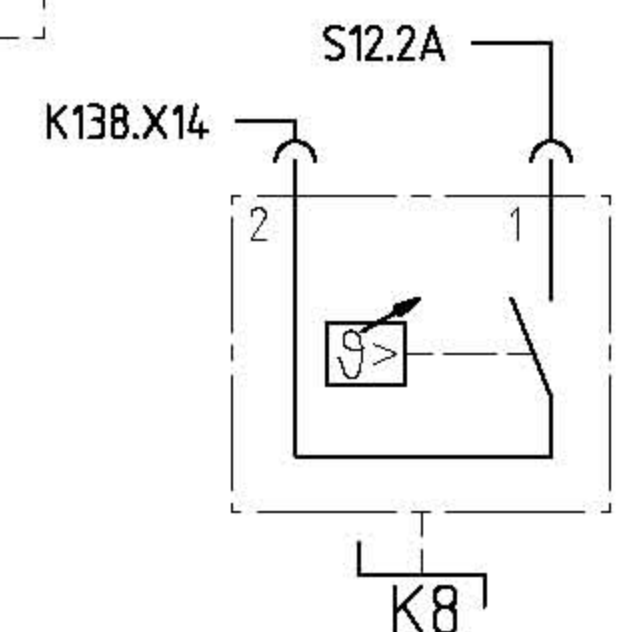
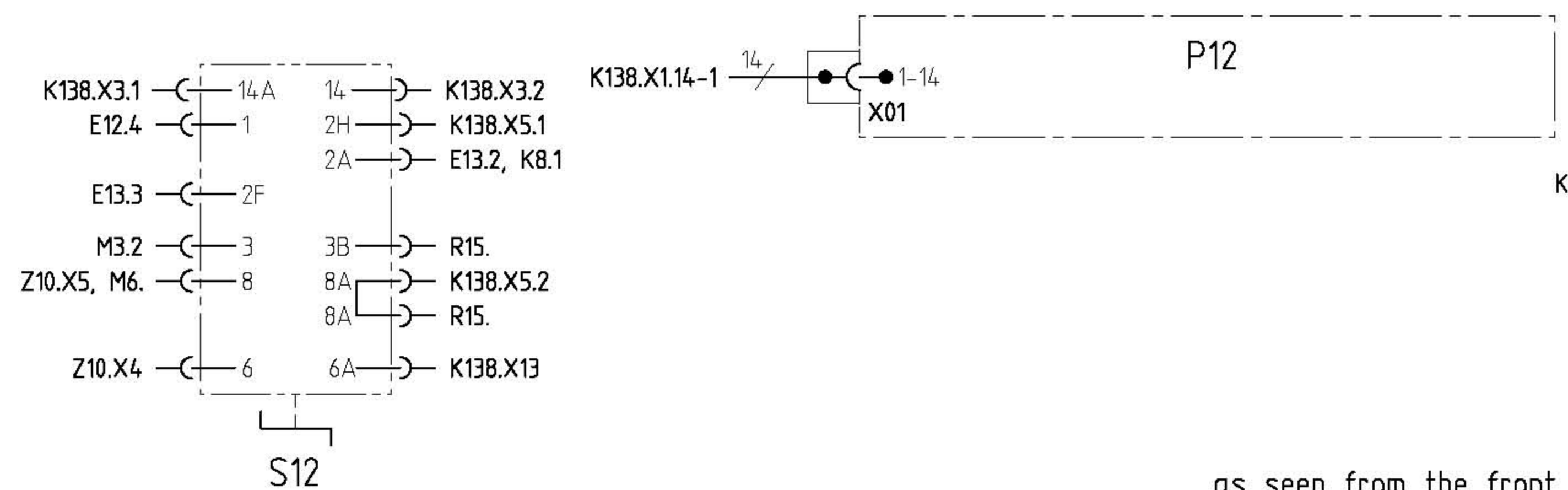
Designation	LCS	Document No.	Rev	Sheet-No.
connection diagram	EL	5650 0000066665	A	1
HB84K550		Material No. 9000199703		of 1



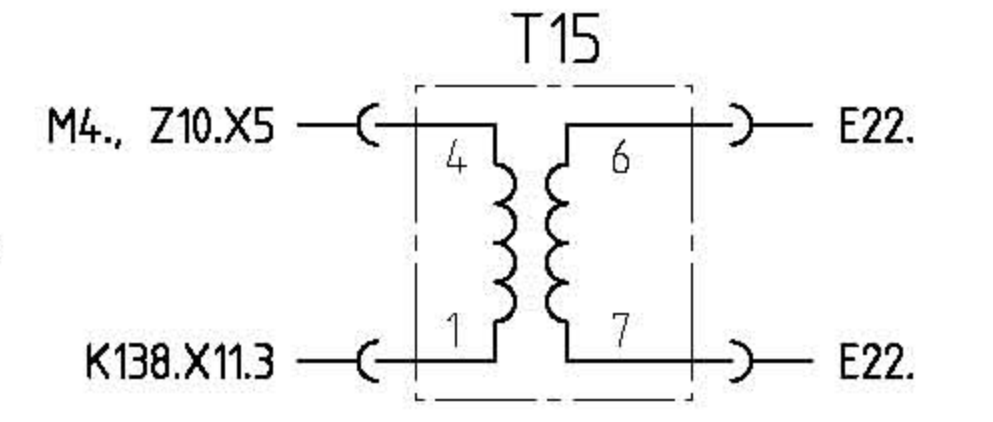
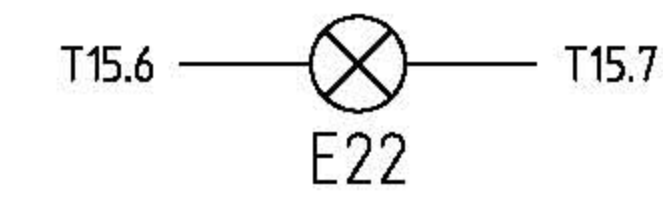
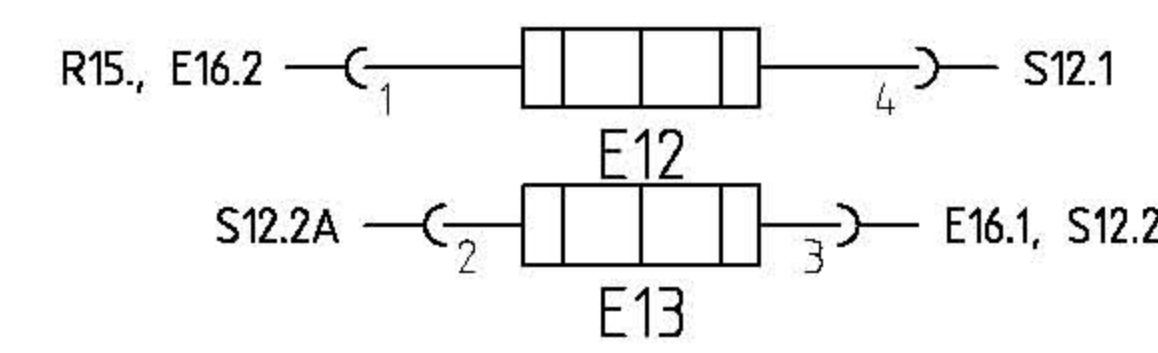
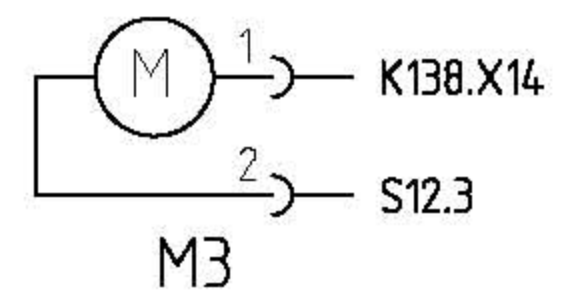
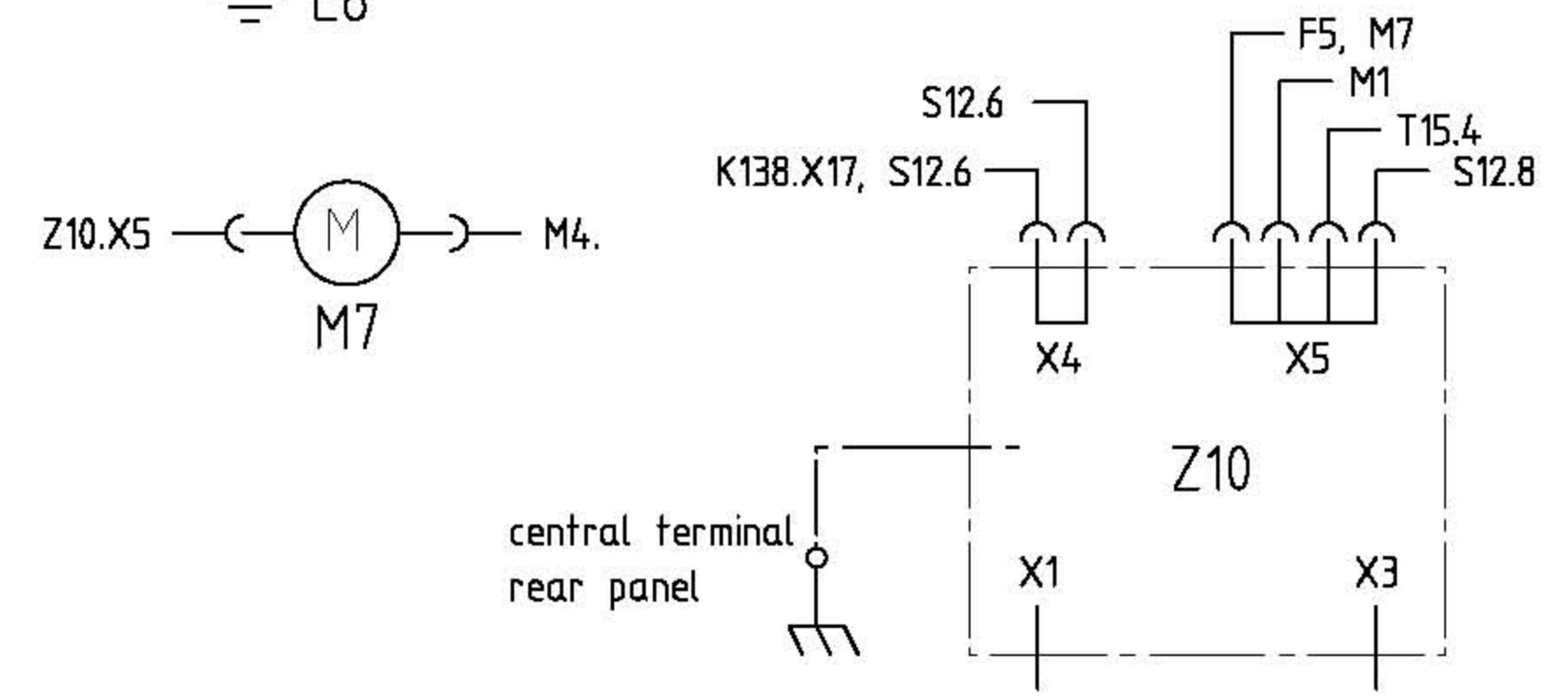
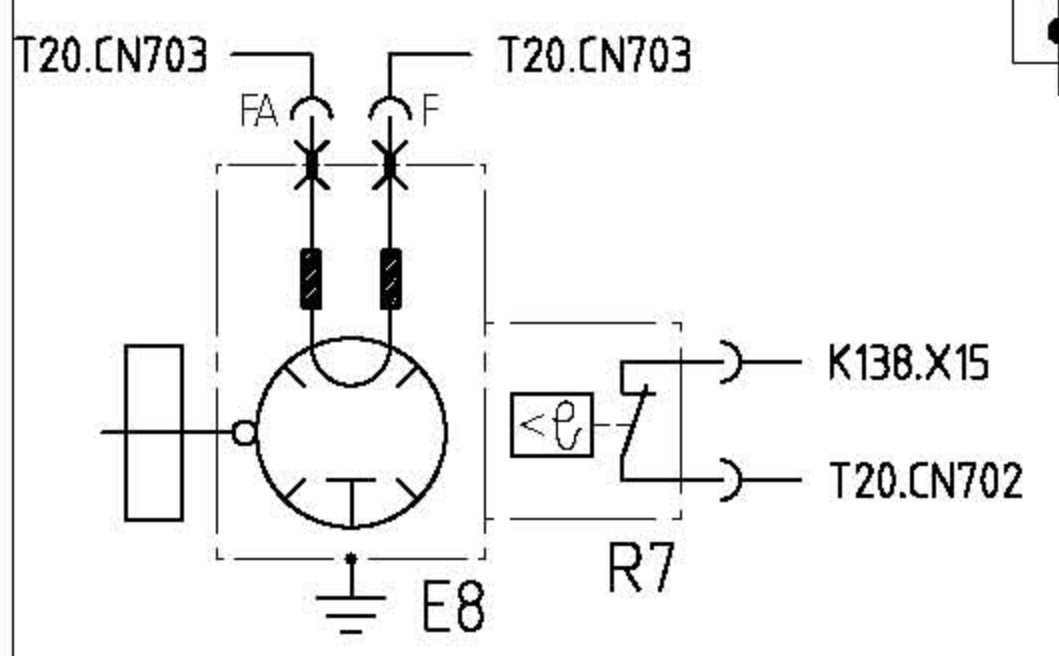
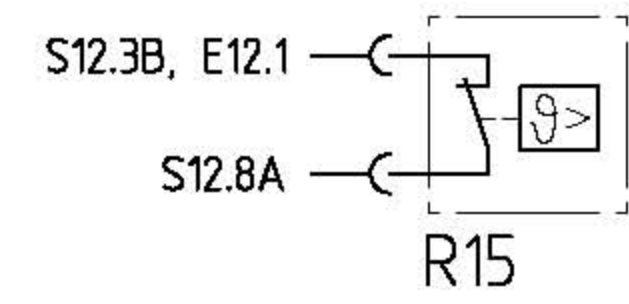
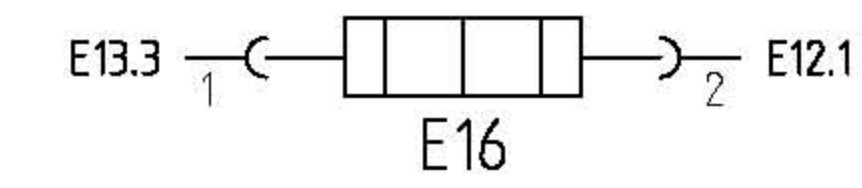
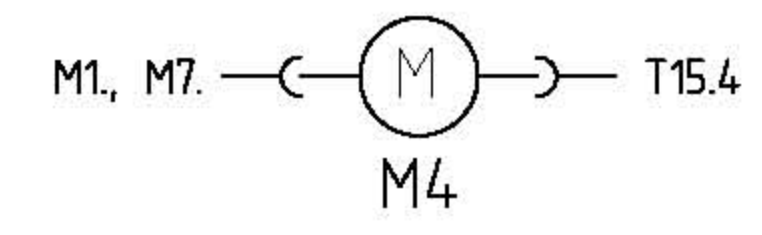
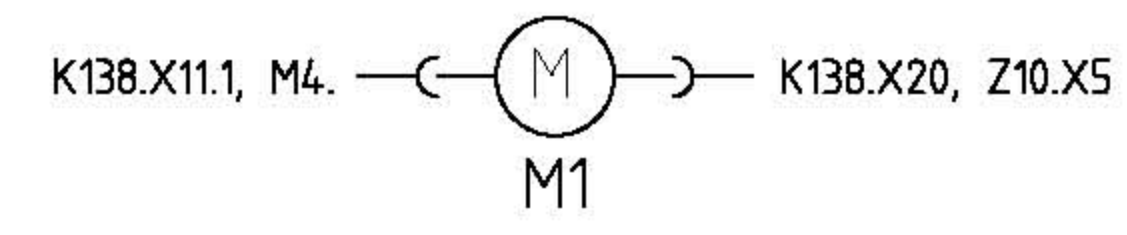
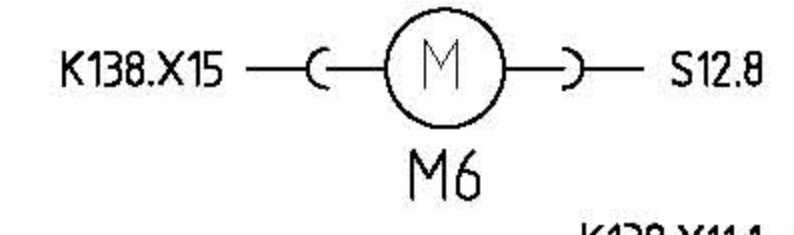
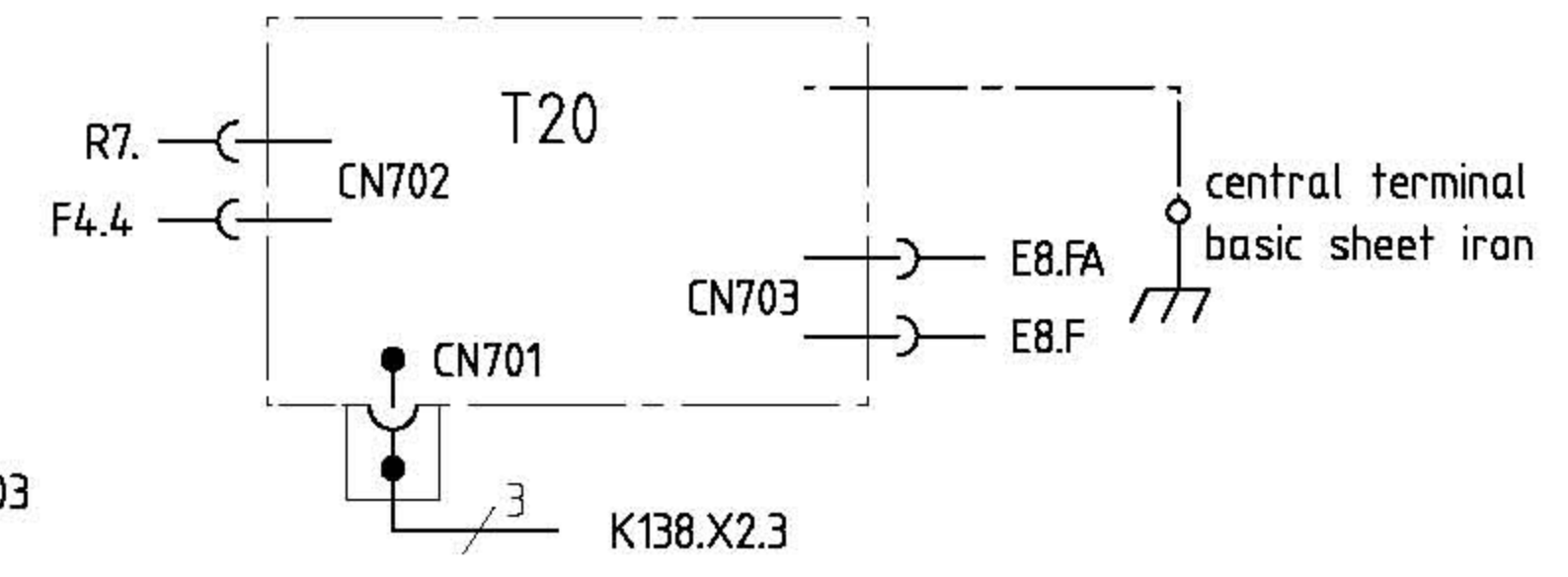
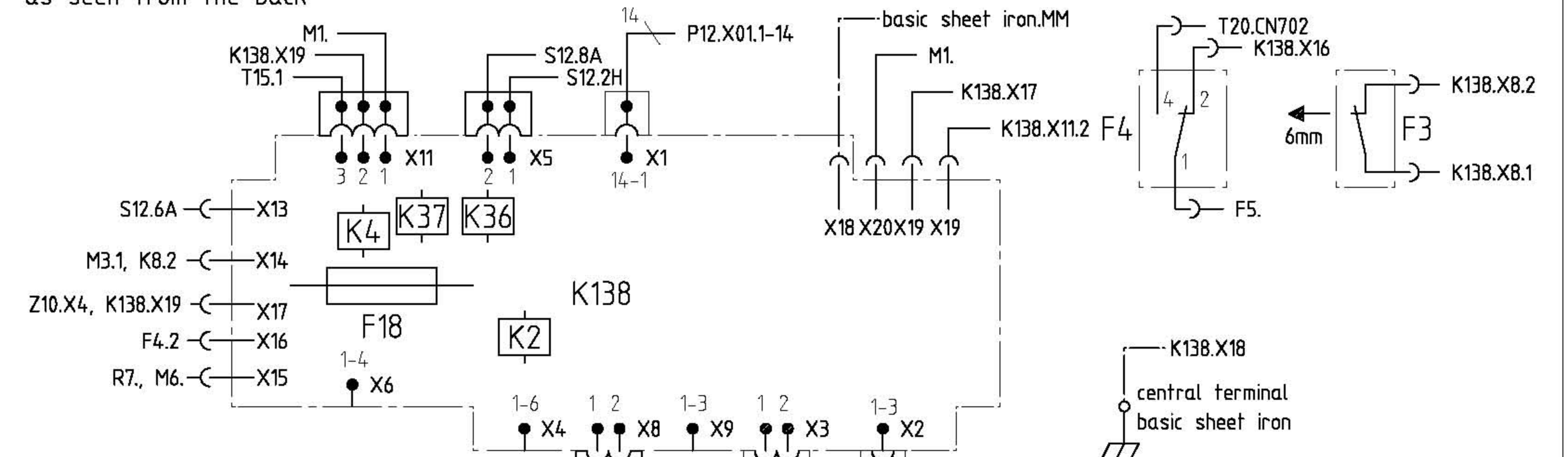
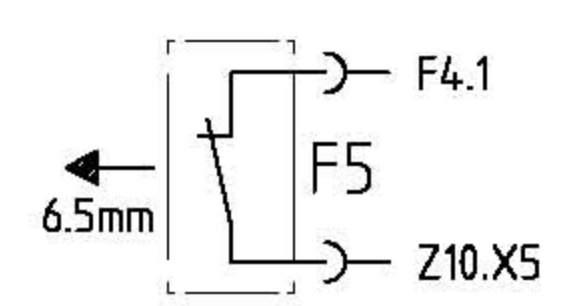
as seen from the front
as seen from the back



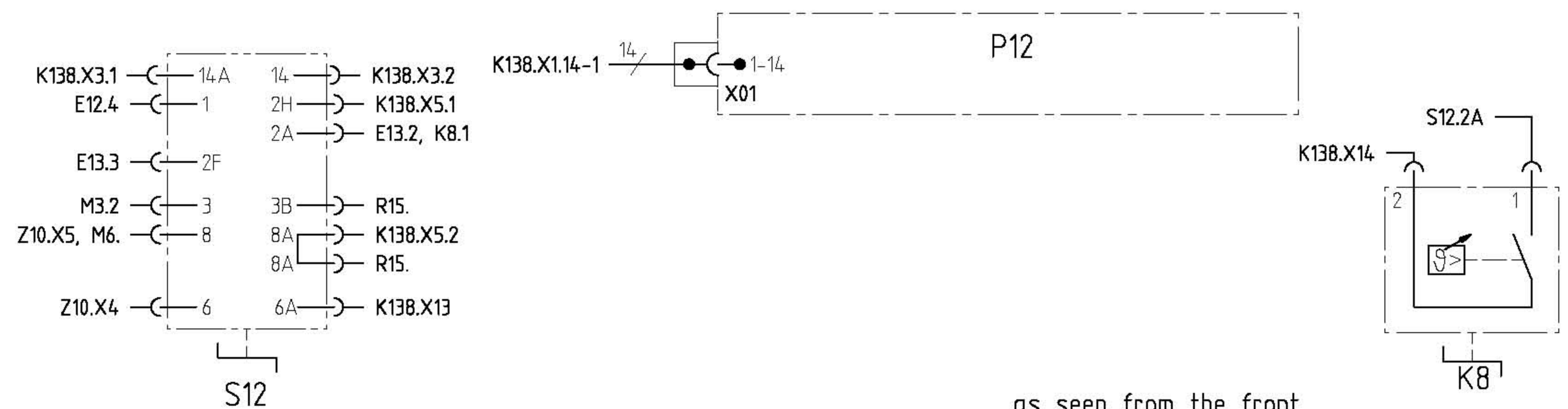
Designation	LCS	Document No.	Rev	Sheet-No.
connection diagram	EN	5650 0000066665	A	1
HB84K550		Material No. 9000199703		of 1



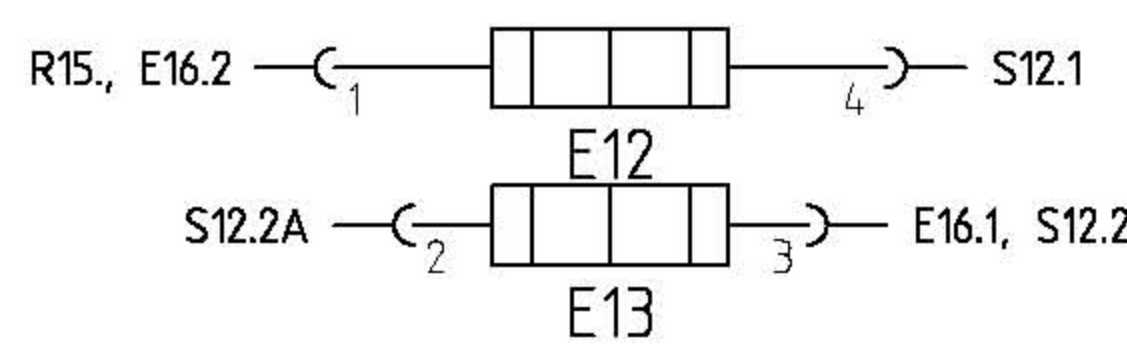
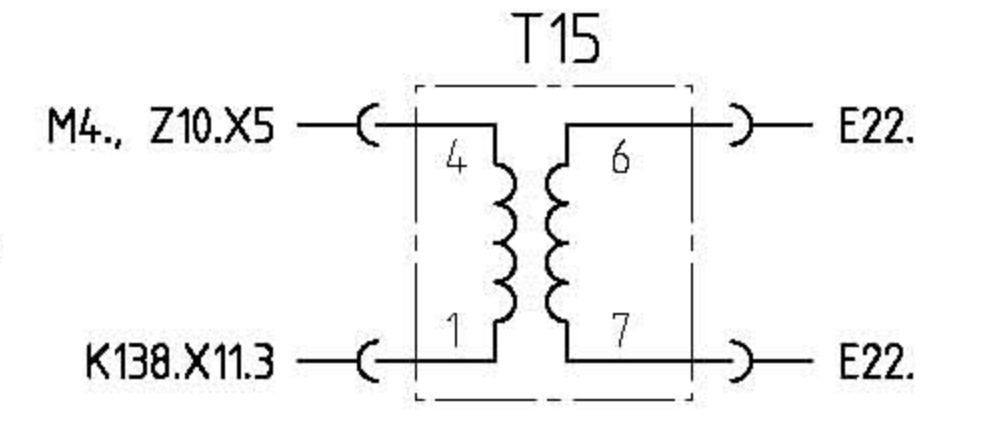
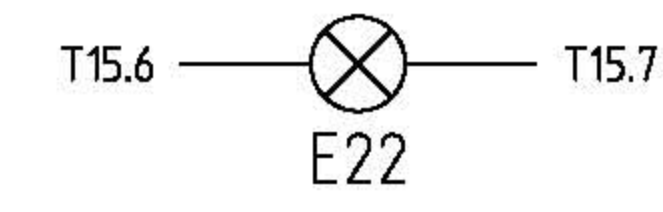
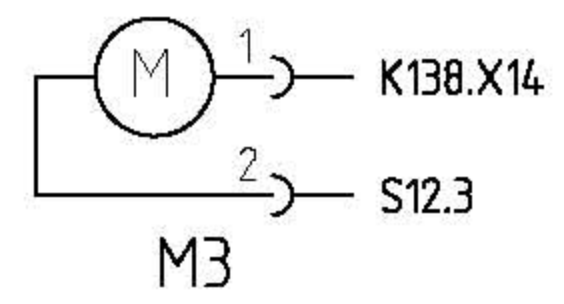
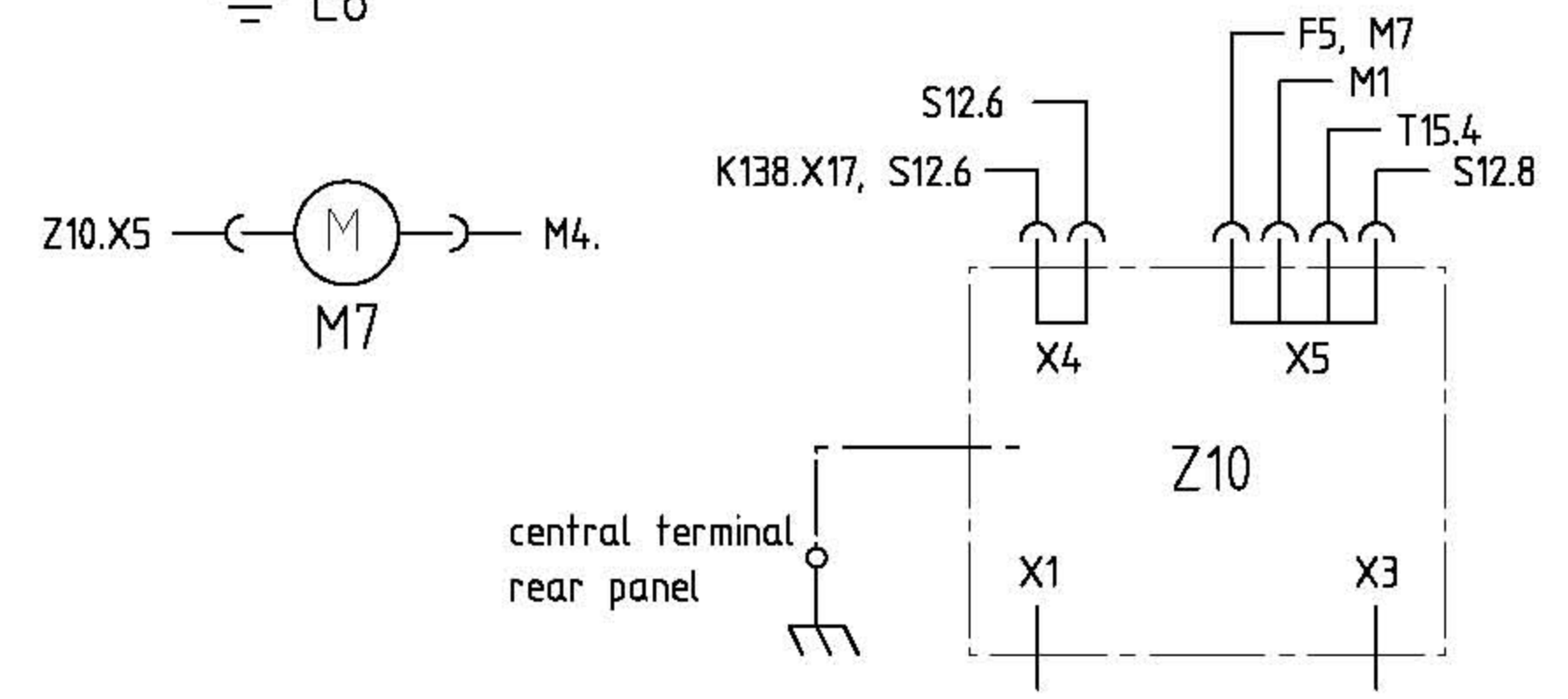
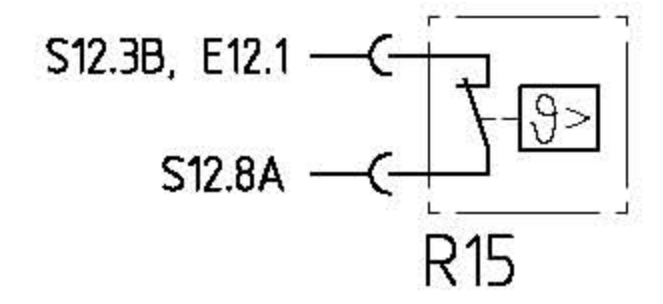
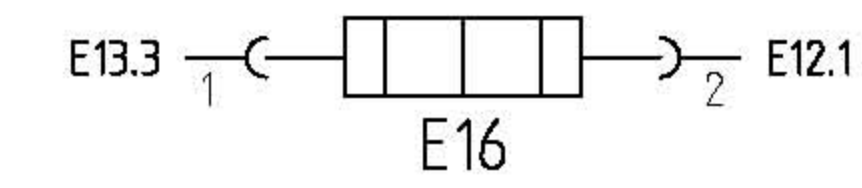
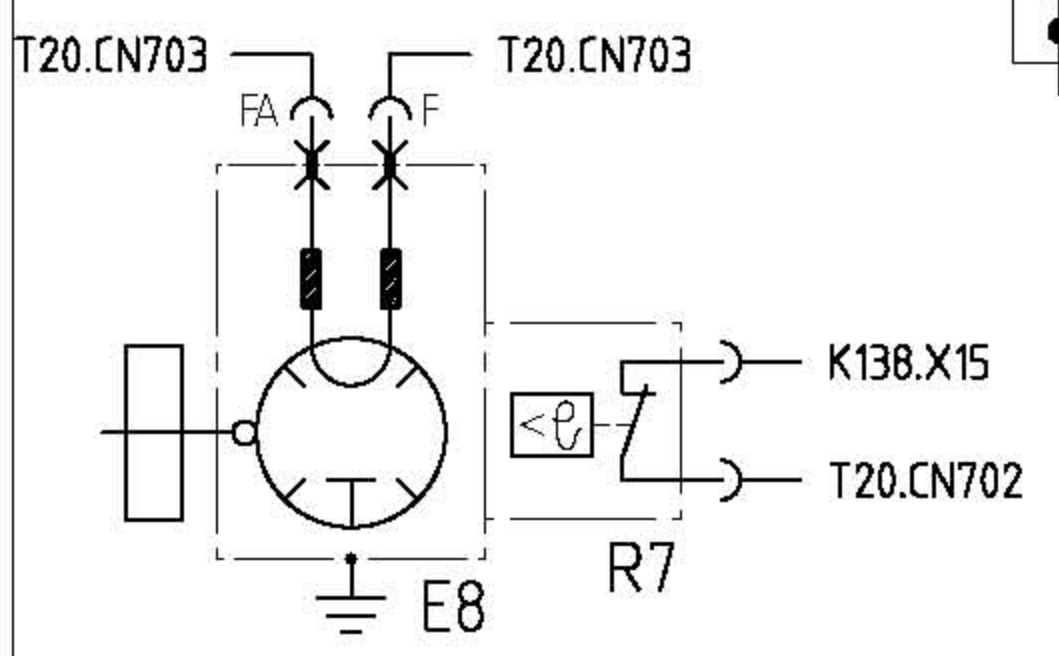
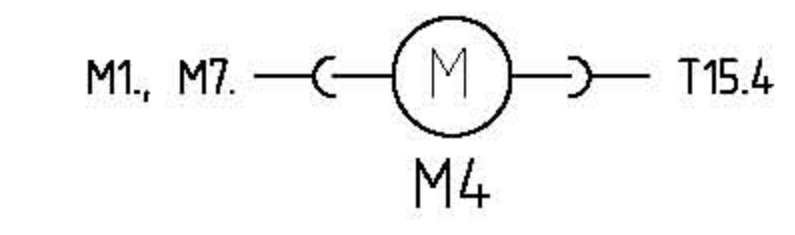
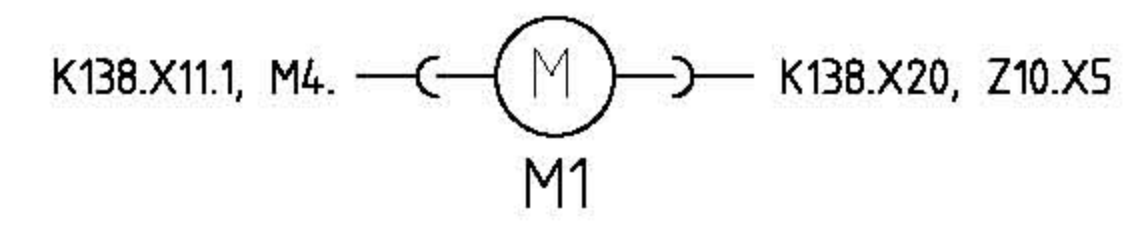
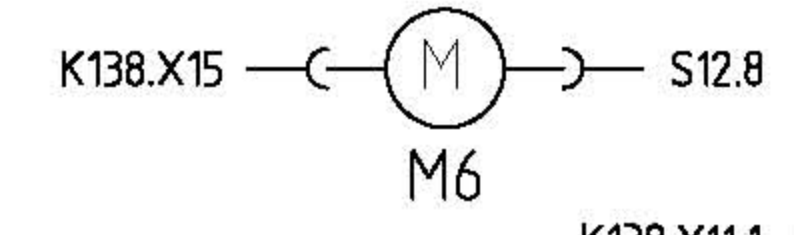
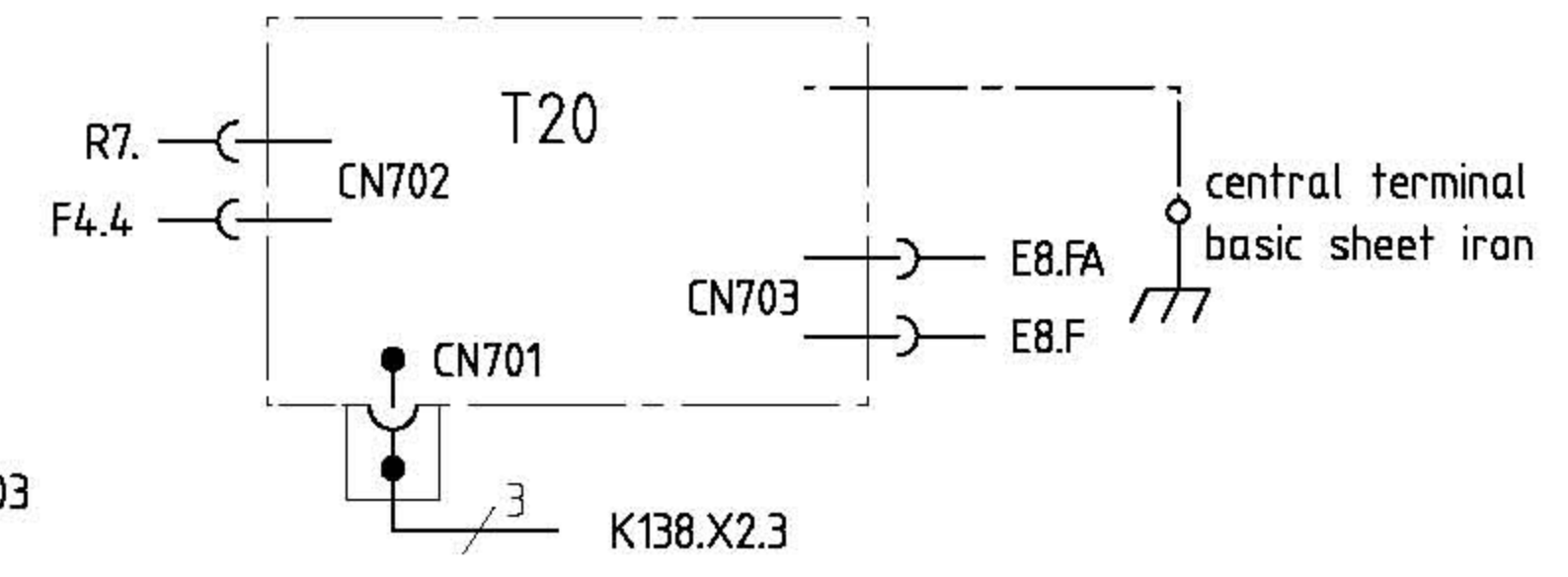
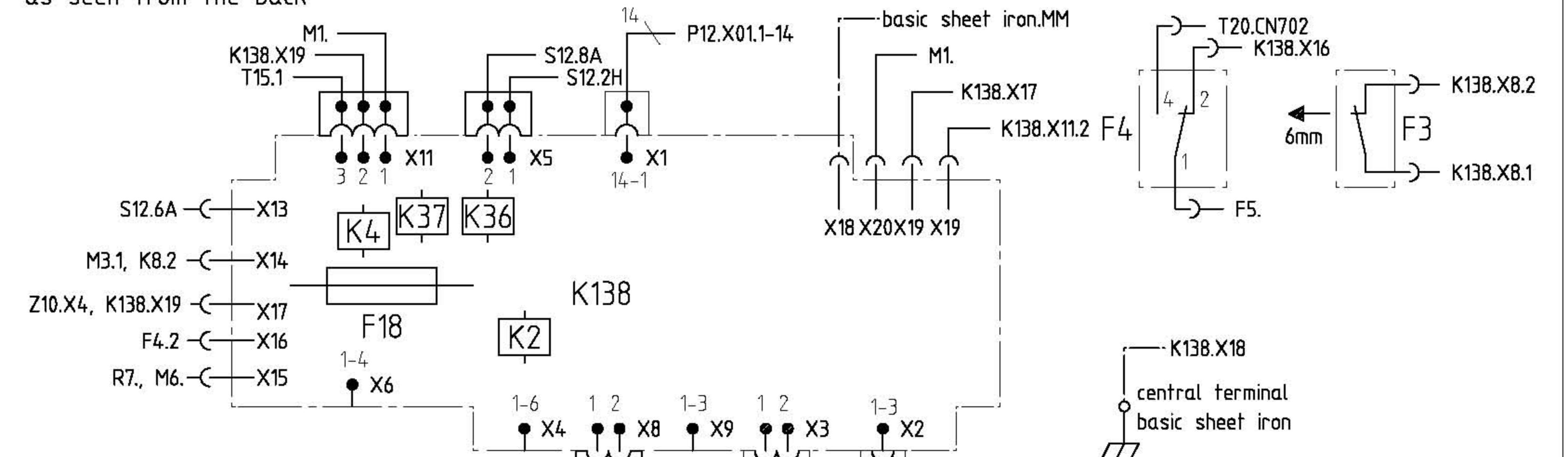
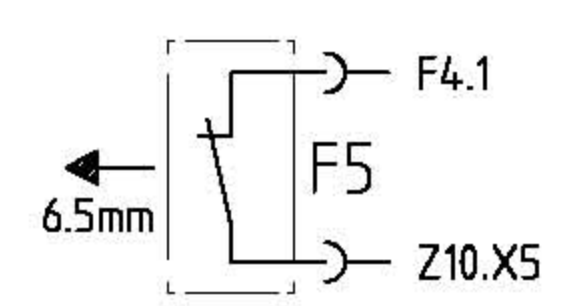
as seen from the front
as seen from the back



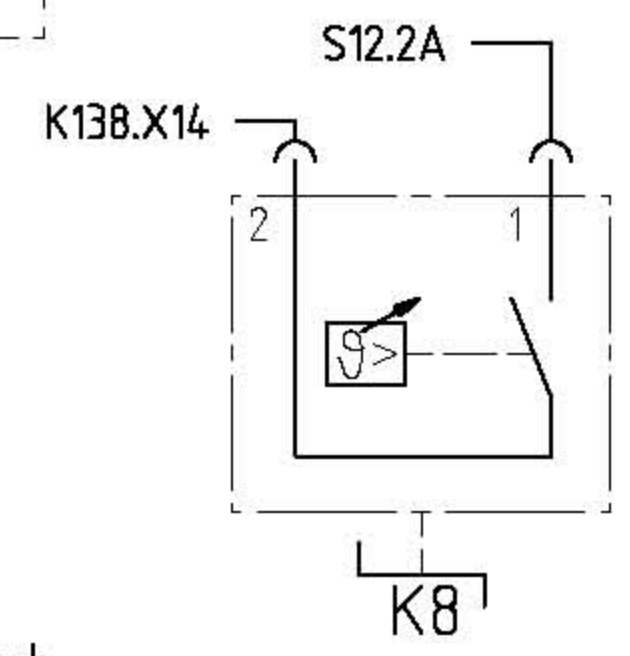
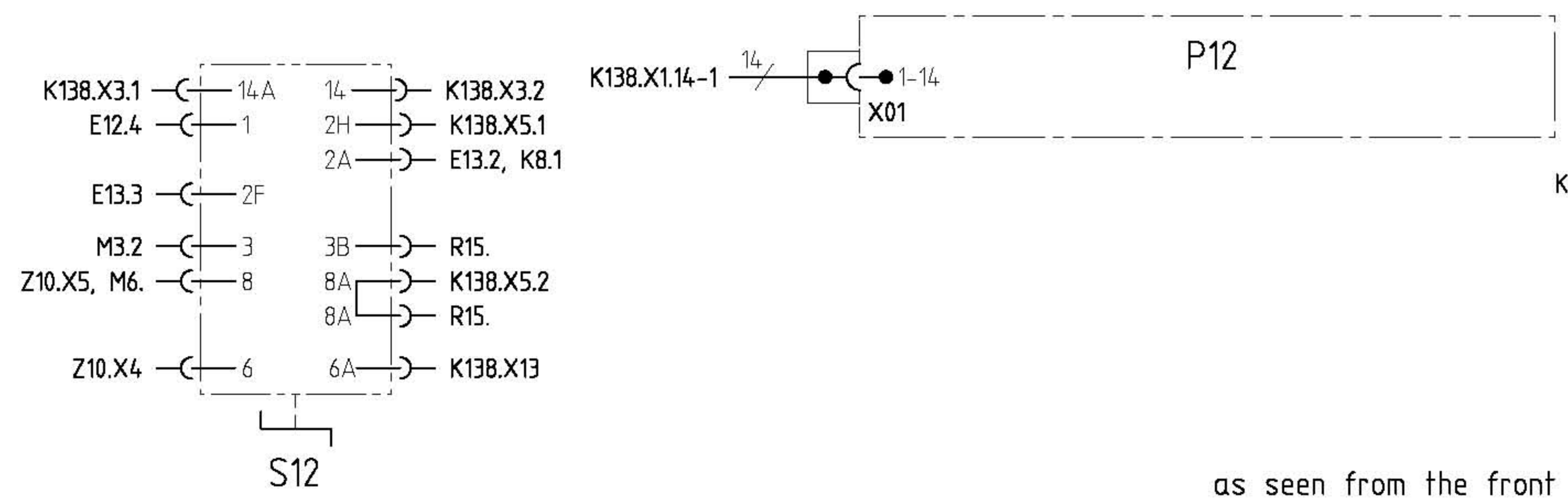
Designation connection diagram HB84K550	LCS ES	Document No. 5650 0000066665	Rev A	Sheet-No. 1
		Material No. 9000199703		of 1



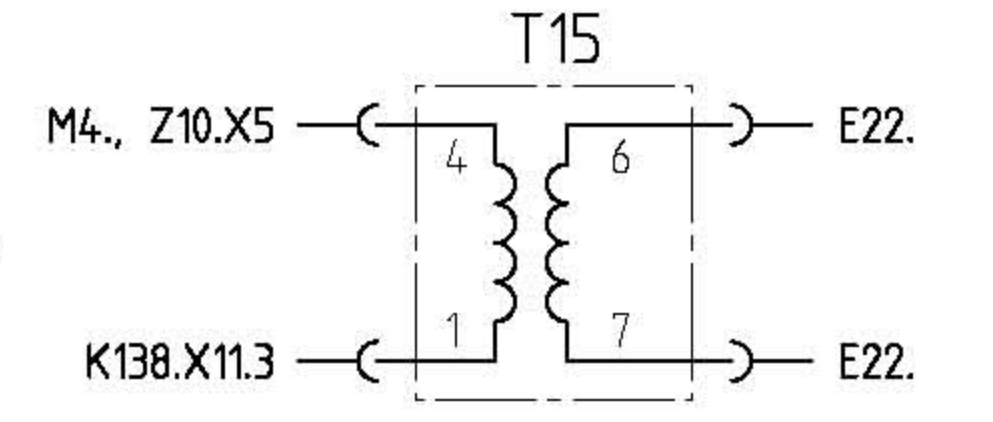
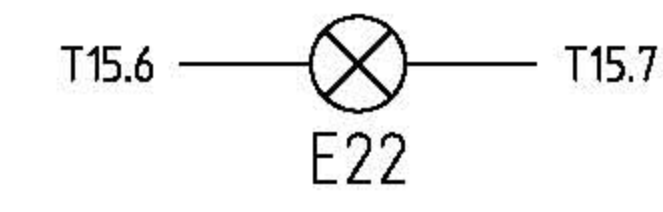
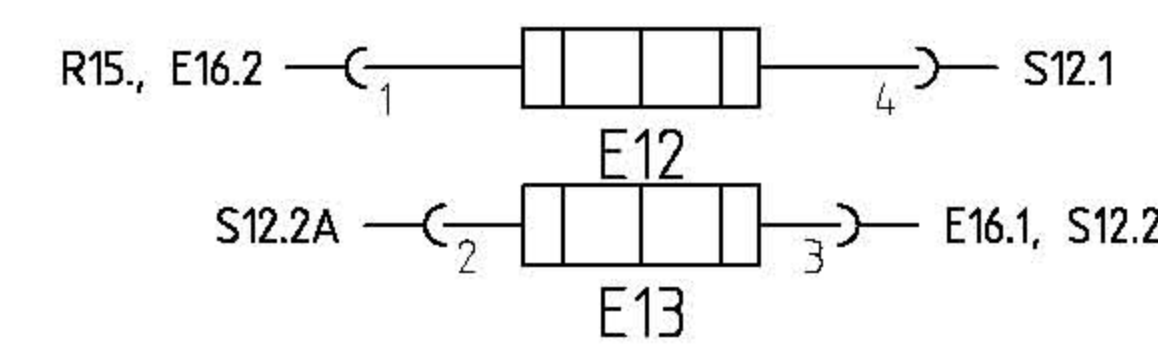
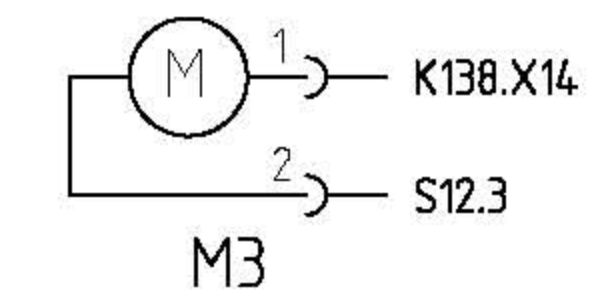
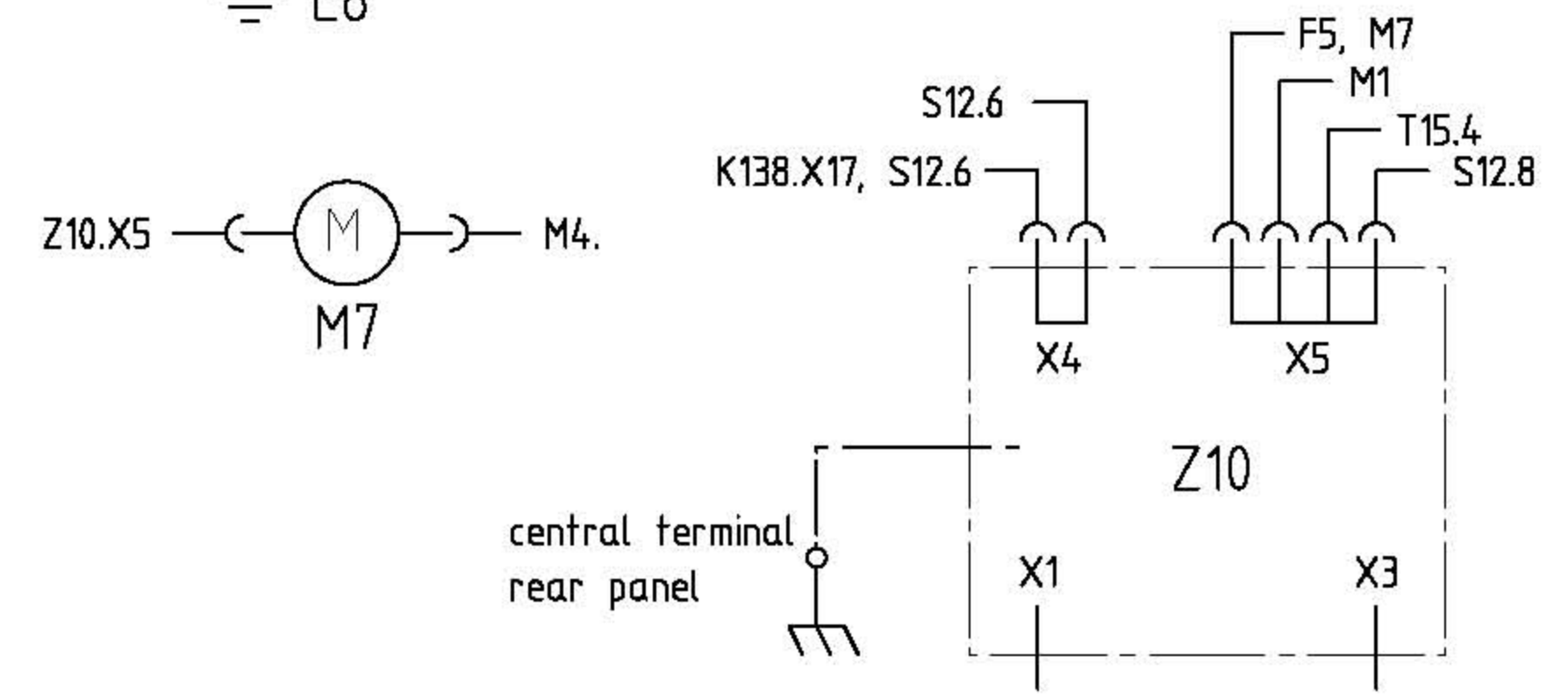
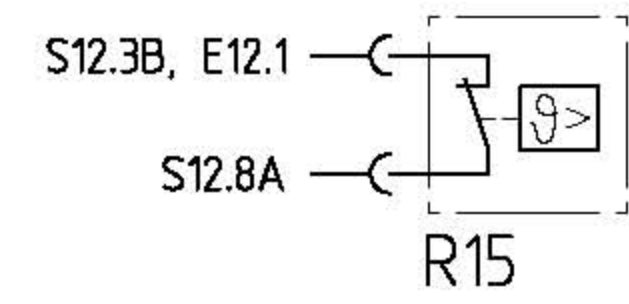
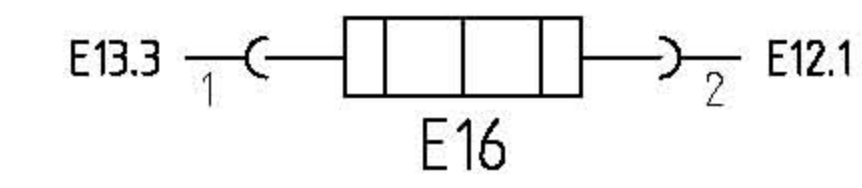
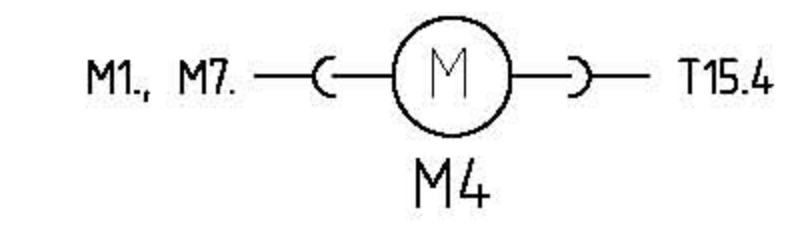
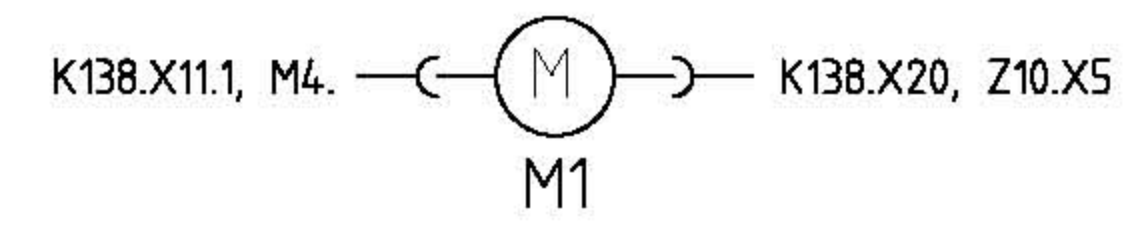
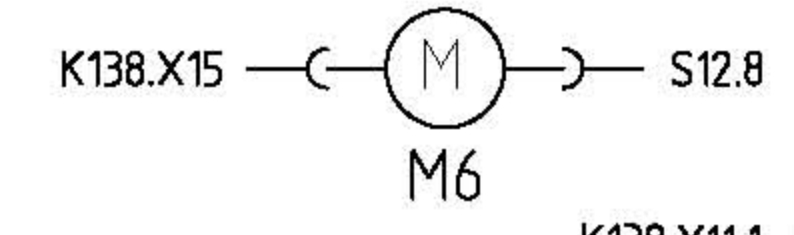
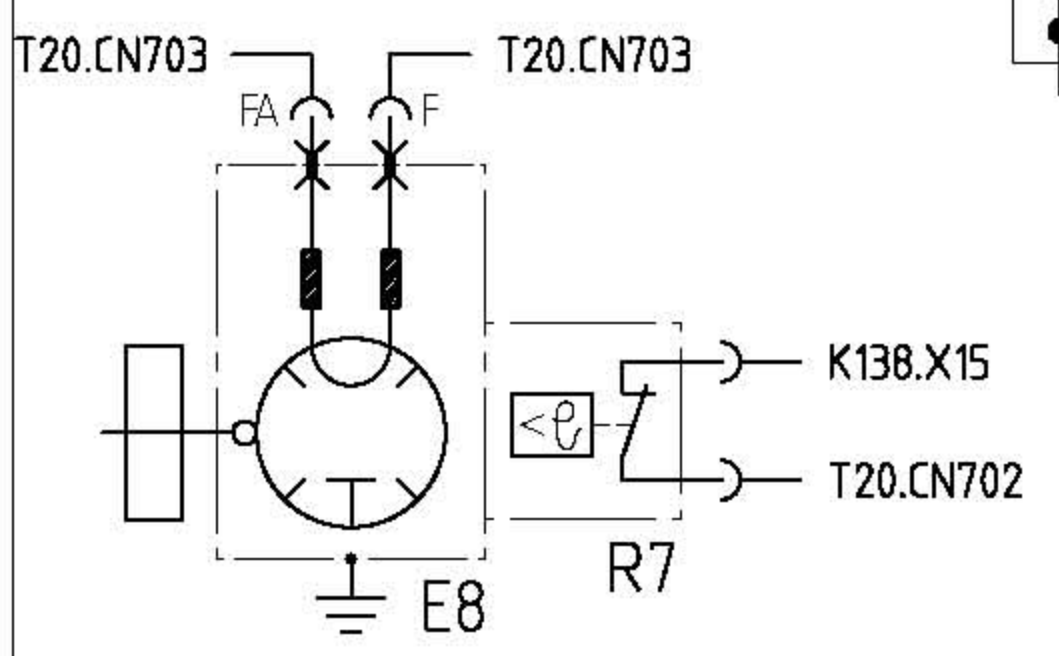
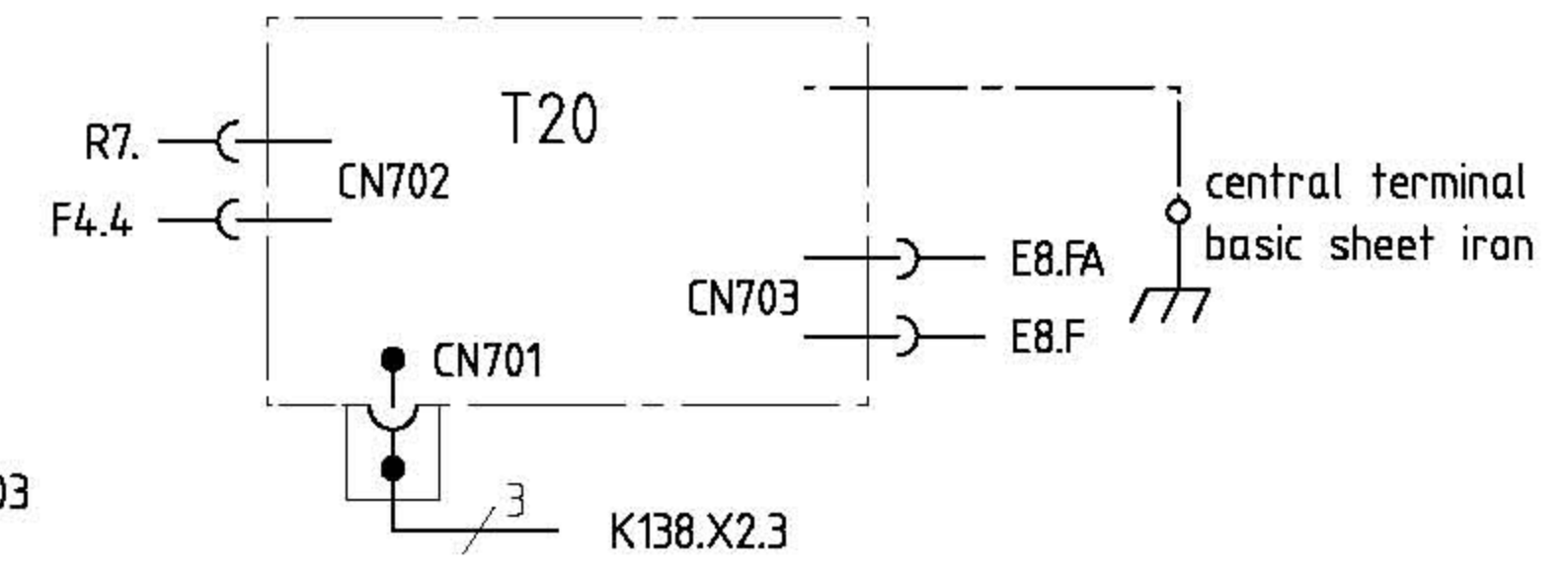
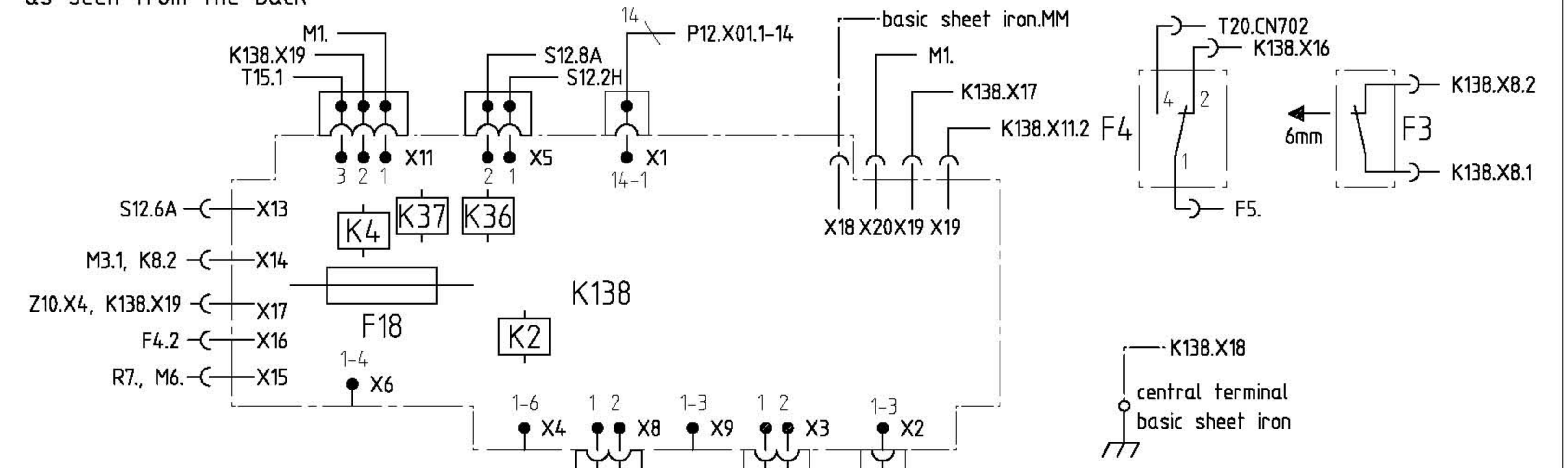
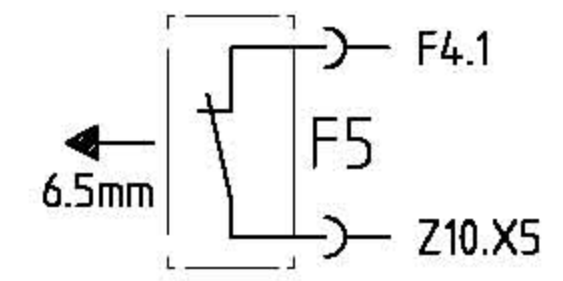
as seen from the front
as seen from the back



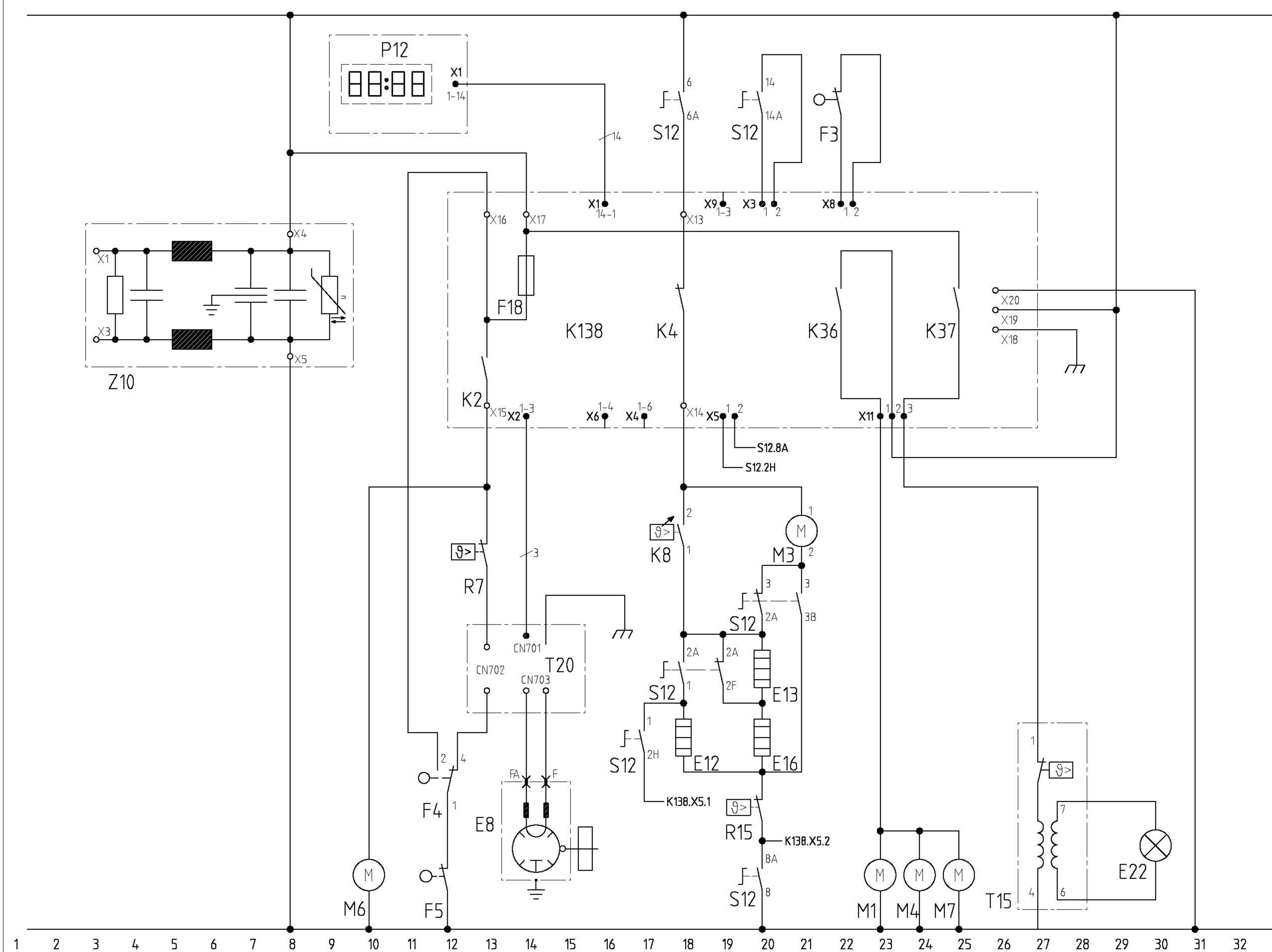
Designation connection diagram HB84K550	LCS FR	Document No. 5650 0000066665	Rev A	Sheet-No. 1
		Material No. 9000199703		of 1



as seen from the front
as seen from the back



Designation connection diagram HB84K550	LCS PT	Document No. 5650 0000066665	Rev A	Sheet-No. 1
		Material No. 9000199703		of 1



REF	Bauteile	Pfad
E8	Magnetron	14
E12	Unterhitze 450W /230V	18
E13	Unterhitze 528W /182V	20
E16	Grillheizkörper 2150W /230V	20
E22	Backofenlampe 20W	30
F3	Sicherheitsschalter	22
F4	Sicherheitsschalter	12
F5	Sicherheitsschalter	12
F18	Sicherung 8A	14
K2	Leistungsrelais	13
K4	Leistungsrelais	18
K8	Backofenregler	18
K36	Relais	22
K37	Relais	25
K138	Steuerplatine	12-27
M1	Kühlgebläsemotor	23
M3	Umluftmotor	21
M4	Wrasenlüfter	24
M6	Antennenmotor	10
M7	Magnetronlüfter	25
P12	Eingabe Anzeigeplatine	9-12
R7	Temperaturbegrenzer	13
R15	Temperaturbegrenzer	20
S12	Vorwählschalter	17-21
T15	Transformator	27
T20	Inverter	12-15
Z10	Funkentstörfilter	3-8

1 2 3 4 5 6 7 8 9 10 11 12 13 14 15 16 17 18 19 20 21 22 23 24 25 26 27 28 29 30 31 32

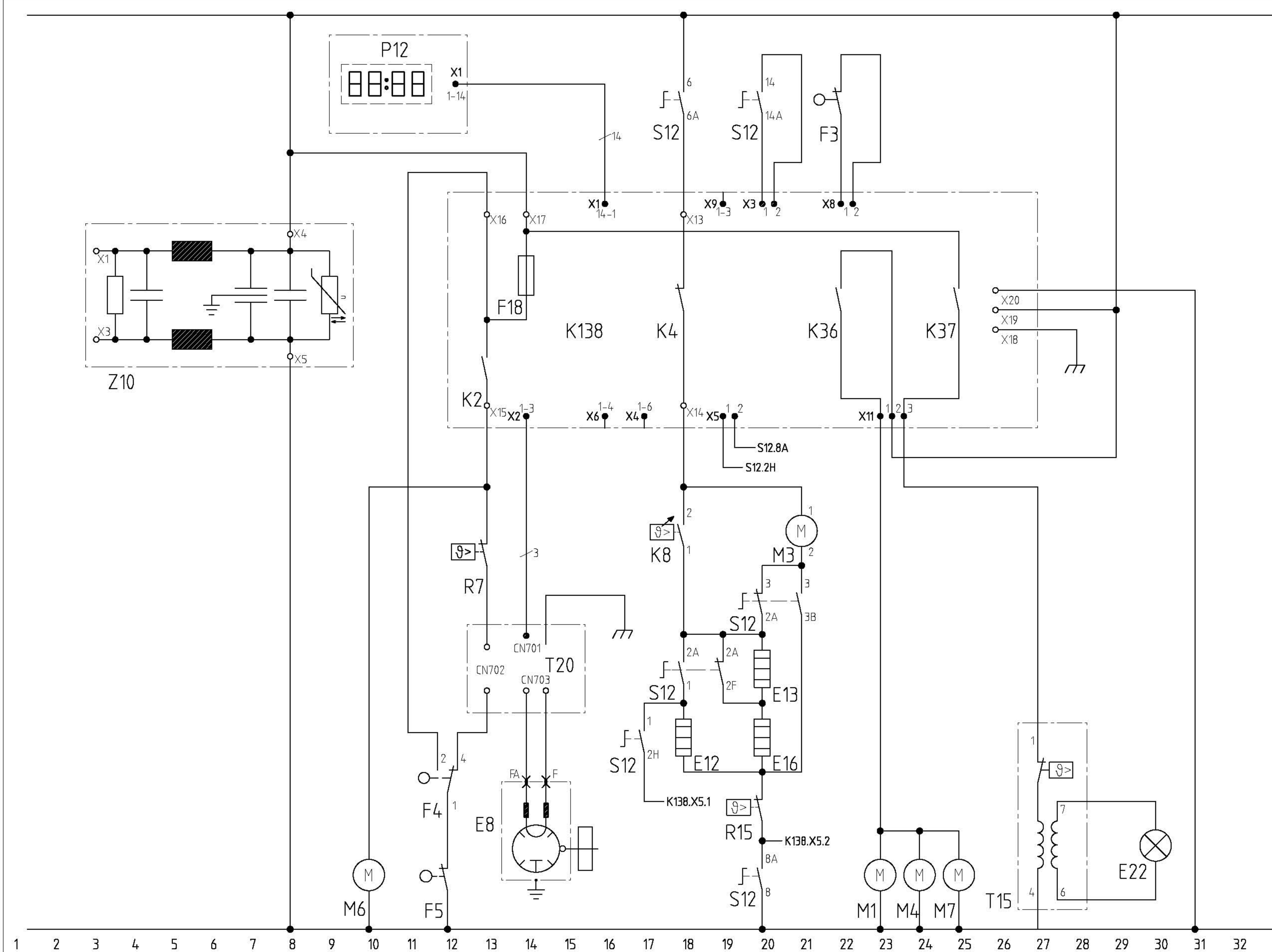
diagram: 56500942534P01
 Sicherheitsschalter bei geschlossener Tür

Designation
 circuit diagram
 HB84K550

LCS
 DE

Document No.
 5650 0000065726
 Material No. 9000199702

Rev
 A
 Sheet-No.
 1
 of 1

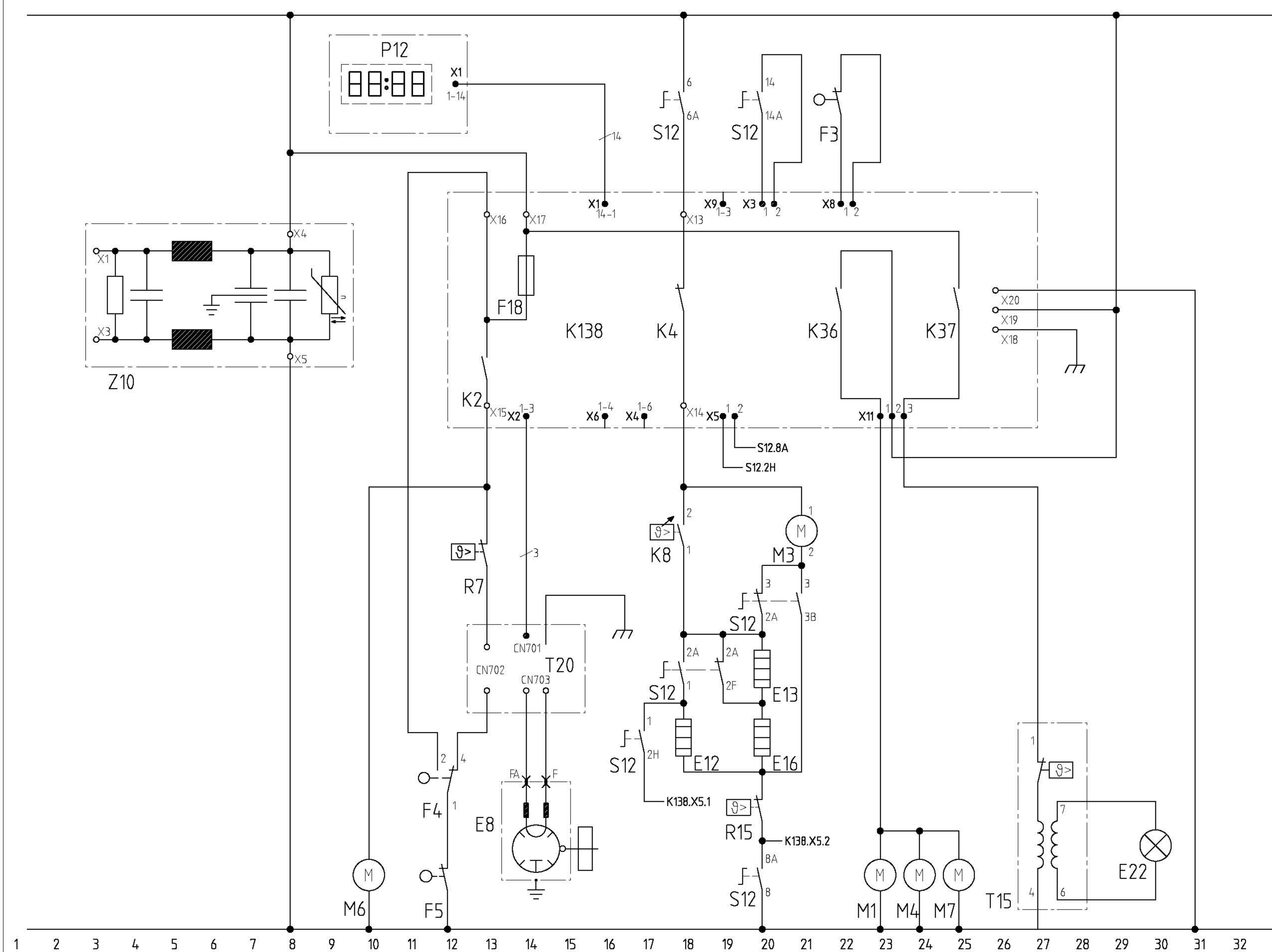


REF	Components	Path
E8	Magnetron	14
E12	Bottom heat 450W /230V	18
E13	Bottom heat 528W /82V	20
E16	Grill heating element 2150W /230V	20
E22	Oven light 20W	30
F3	Safety switch	22
F4	Safety switch	12
F5	Safety switch	12
F18	Fuse 8A	14
K2	Power relay	13
K4	Power relay	18
K8	Oven controller	18
K36	Relay	22
K37	Relay	25
K138	Control pc board	12-27
M1	Cooling blower motor	23
M3	Circulating air motor	21
M4	Vapour fan	24
M6	Antenna motor	10
M7	Magnetron fan	25
P12	Input indicator pcb	9-12
R7	Temperature limiter	13
R15	Temperature limiter	20
S12	Pre selection switch	17-21
T15	Transformer	27
T20	Inverter	12-15
Z10	Interference suppression filters	3-8

1 2 3 4 5 6 7 8 9 10 11 12 13 14 15 16 17 18 19 20 21 22 23 24 25 26 27 28 29 30 31 32

diagram: 56500942534P01
 safety switches by closed door

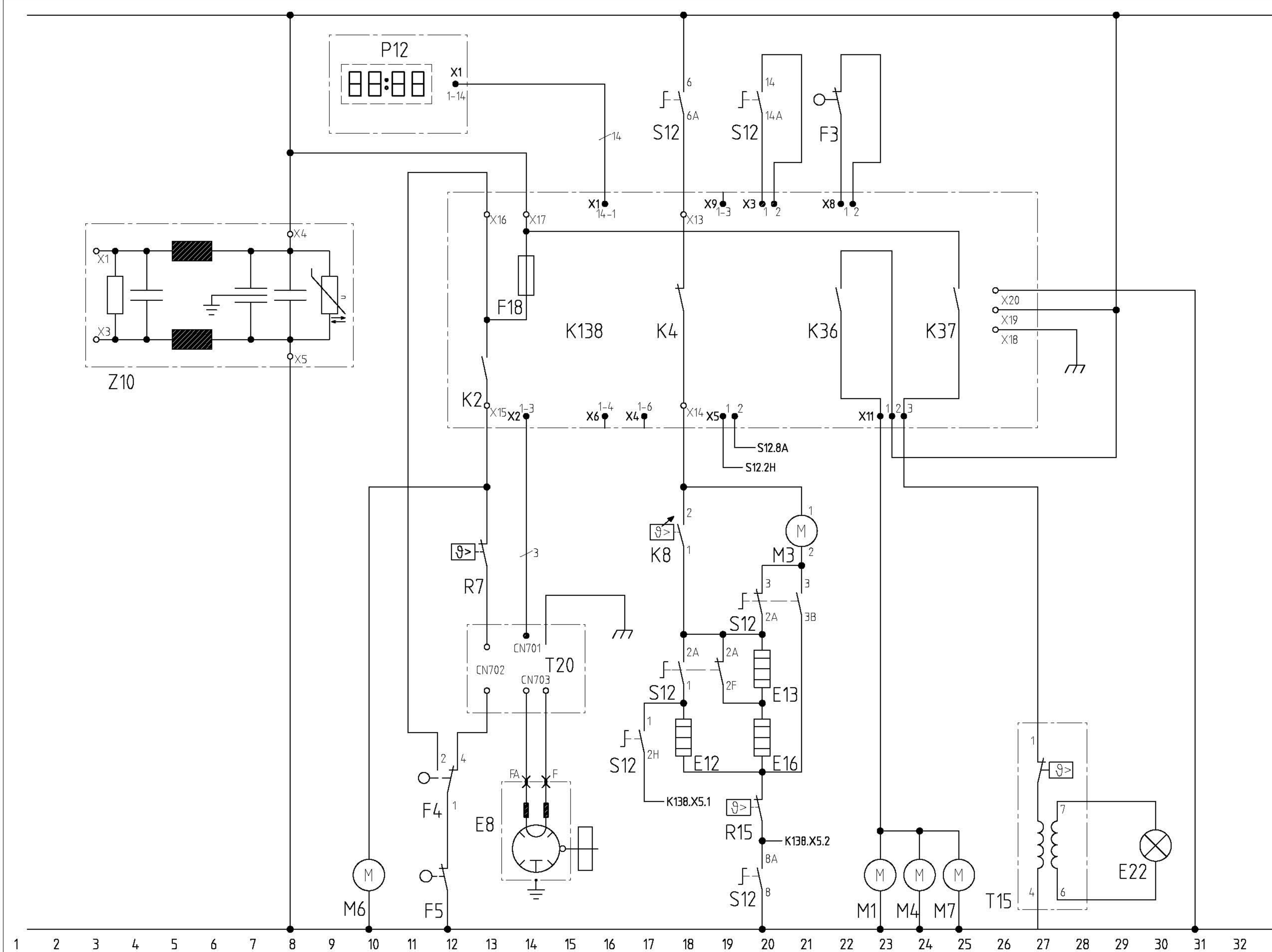
Designation circuit diagram HB84K550	LCS EN	Document No. 5650 0000065726	Rev A	Sheet-No. 1
		Material No. 9000199702	of 1	



REF	Componentes	Posición
E8	Magnetron	14
E12	Calor inferior 450W /230V	18
E13	Calor inferior 528W /82V	20
E16	Resistencia del grill 2150W /230V	20
E22	Lámpara del horno 20W	30
F3	Interruptor de seguridad	22
F4	Interruptor de seguridad	12
F5	Interruptor de seguridad	12
F18	Fusible 8A	14
K2	Relé de potencia	13
K4	Relé de potencia	18
K8	Termostato del horno	18
K36	Relé	22
K37	Relé	25
K138	Placa electrónica de mando	12-27
M1	Ventilador	23
M3	Turbina del aire circulante	21
M4	Ventilador para la salida de humos	24
M6	Motor de accionamiento de la antena	10
M7	Ventilador del magnetron	25
P12	Platina de programación y visualización	9-12
R7	Limitador de temperatura	13
R15	Limitador de temperatura	20
S12	Mando selector	17-21
T15	Transformador	27
T20	Inversor	12-15
Z10	Filtro supresor de interferencias	3-8

diagram: 56500942534P01
 safety switches by closed door

Designation circuit diagram HB84K550	LCS ES	Document No.	Rev	Sheet-No.
		5650 0000065726	A	1 of 1
		Material No. 9000199702		

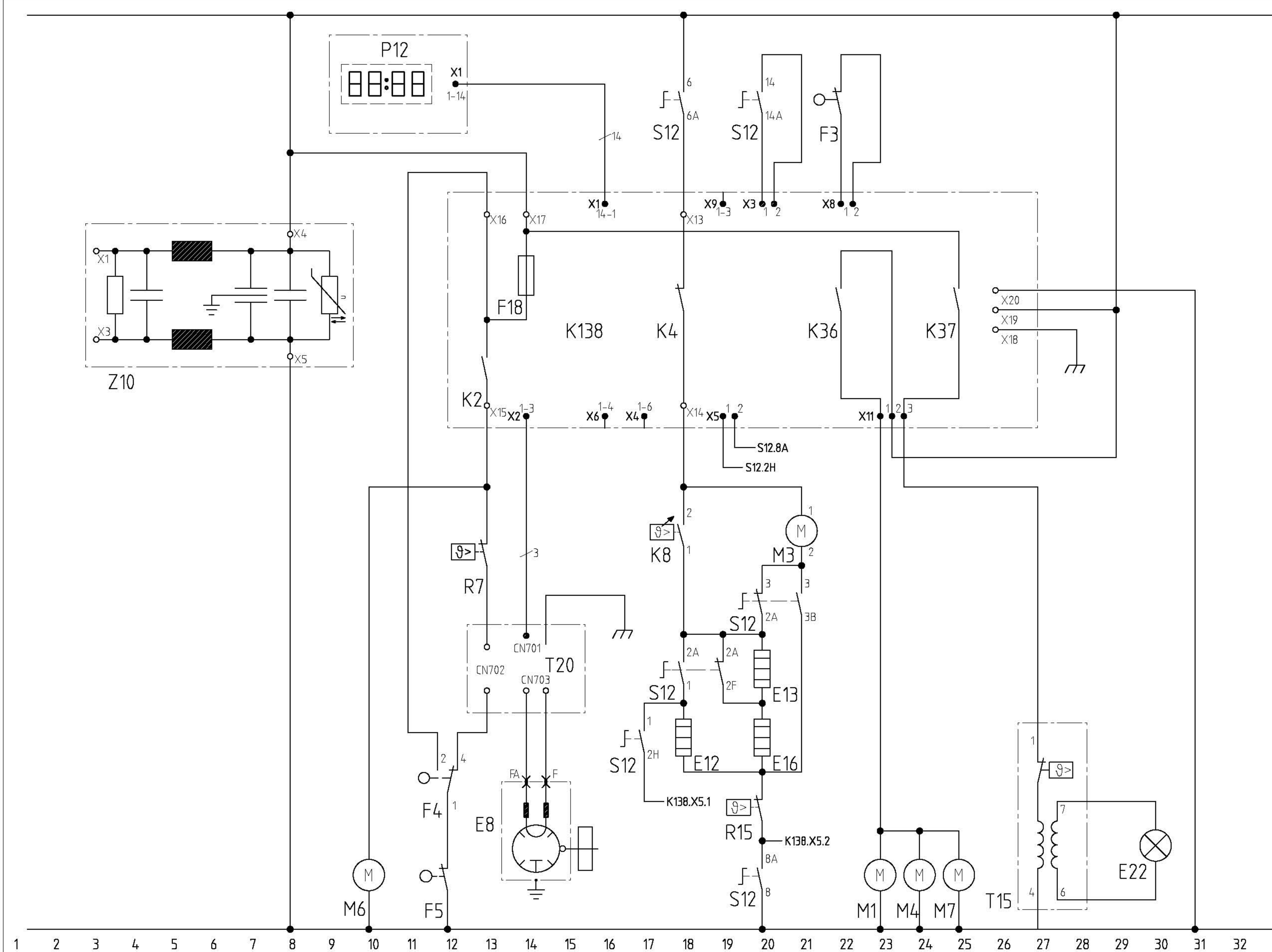


REF	Composants	Circuit
E8	Magnétron	14
E12	Chaleur de sole 450W /230V	18
E13	Chaleur de sole 528W /82V	20
E16	Résistance du gril 2150W /230V	20
E22	Éclairage du four 20W	30
F3	Interrupteur de sécurité	22
F4	Interrupteur de sécurité	12
F5	Interrupteur de sécurité	12
F18	Fusible disjoncteur 8A	14
K2	Relais de puissance	13
K4	Relais de puissance	18
K8	Thermostat du four	18
K36	Relais	22
K37	Relais	25
K138	Carte de commande	12-27
M1	Moteur du ventilateur de refroid	23
M3	Moteur de ventil à air pulsé	21
M4	Ventilateur à buées	24
M6	Motor d'entraînement de l'antenne	10
M7	Ventilateur du magnétron	25
P12	Platine de visualisat et de prog	9-12
R7	Limiteur de température	13
R15	Limiteur de température	20
S12	Sélecteur	17-21
T15	Transformateur	27
T20	Inverseur	12-15
Z10	Filtre de déparasitage	3-8

1 2 3 4 5 6 7 8 9 10 11 12 13 14 15 16 17 18 19 20 21 22 23 24 25 26 27 28 29 30 31 32

diagram: 56500942534P01
 safety switches by closed door

Designation circuit diagram HB84K550	LCS FR	Document No. 5650 0000065726	Rev A	Sheet-No. 1 of 1
		Material No. 9000199702		



REF	Componentes	Percurso
E8	Magnetron	14
E12	Calor inferior 450W /230V	18
E13	Calor inferior 528W /82V	20
E16	Resistência do grelhador 2150W /230V	20
E22	Lâmpada do forno 20W	30
F3	Interruptor de segurança	22
F4	Interruptor de segurança	12
F5	Interruptor de segurança	12
F18	Fusível 8A	14
K2	Relê de potência	13
K4	Relê de potência	18
K8	Regulador do forno	18
K36	Relê	22
K37	Relê	25
K138	Placa de comando	12-27
M1	Motor do ventilador	23
M3	Motor de ar quente	21
M4	Ventilador de vapores	24
M6	Motor de antena	10
M7	Ventilador do magnetron	25
P12	Platina de introdução indicação	9-12
R7	Limitador de temperatura	13
R15	Limitador de temperatura	20
S12	Selector	17-21
T15	Transformador	27
T20	Inversor	12-15
Z10	Filtro de interferências	3-8

diagram: 56500942534P01
 safety switches by closed door

Designation circuit diagram HB84K550	LCS PT	Document No. 5650 0000065726	Rev A	Sheet-No. 1 of 1
		Material No. 9000199702		