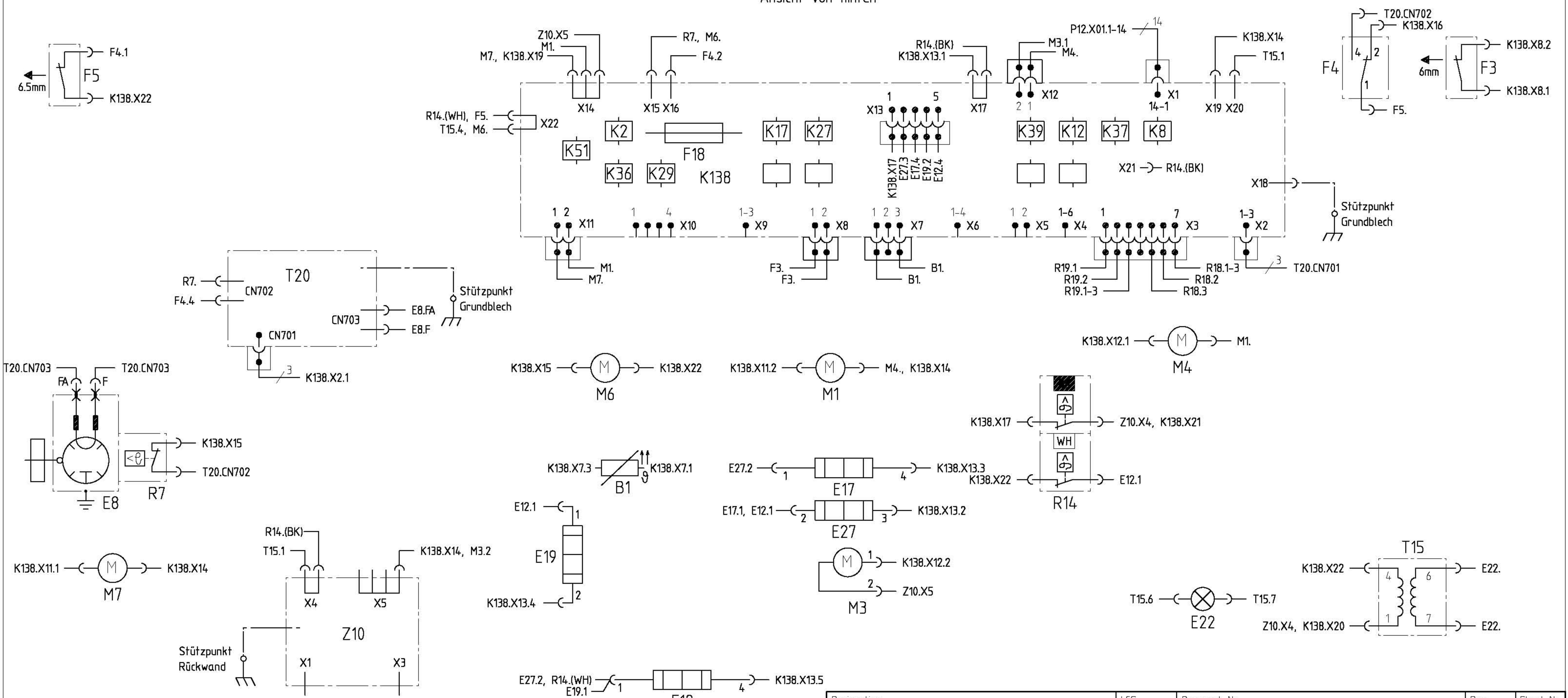
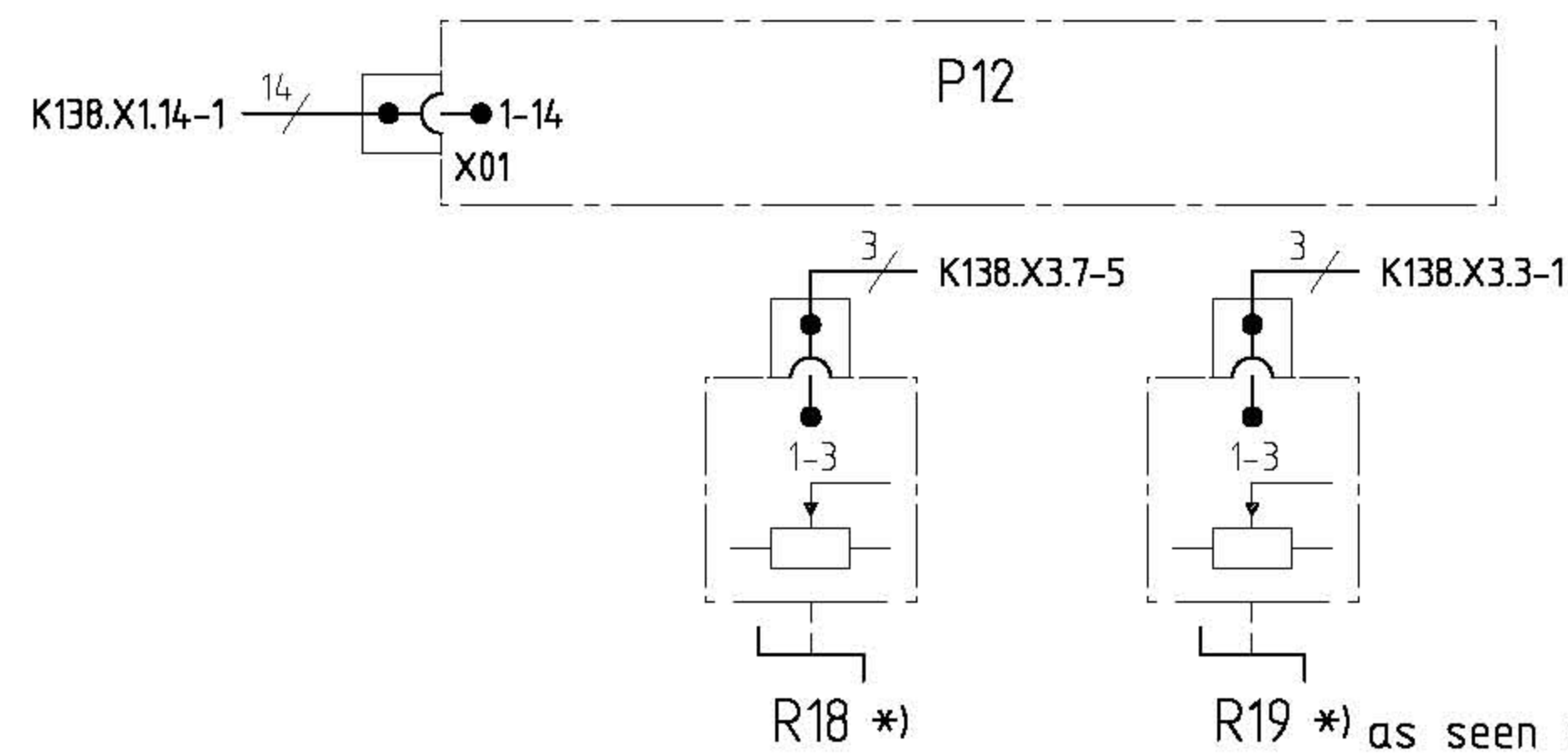


Ansicht von vorne
Ansicht von hinten

*) R18 und R19 in Bosch-Geräten gegenseitig getauscht

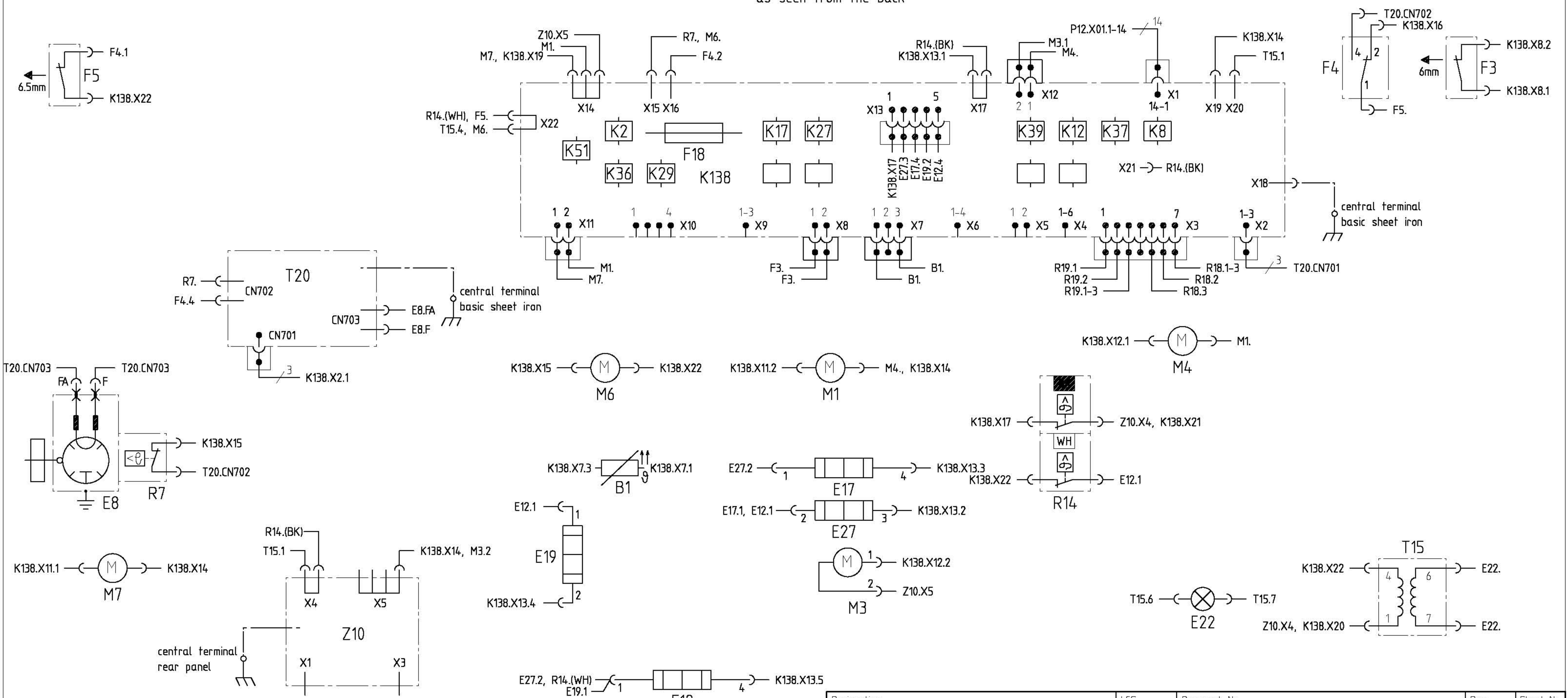


| | | | | |
|--|-----------|---------------------------------|----------|----------------|
| Designation connection diagram HB 86K570 | LCS DE | Document No. 5650 0000064269 | Rev A | Sheet-No. 1 |
| | | Material No. 9000189329 | | of 1 |

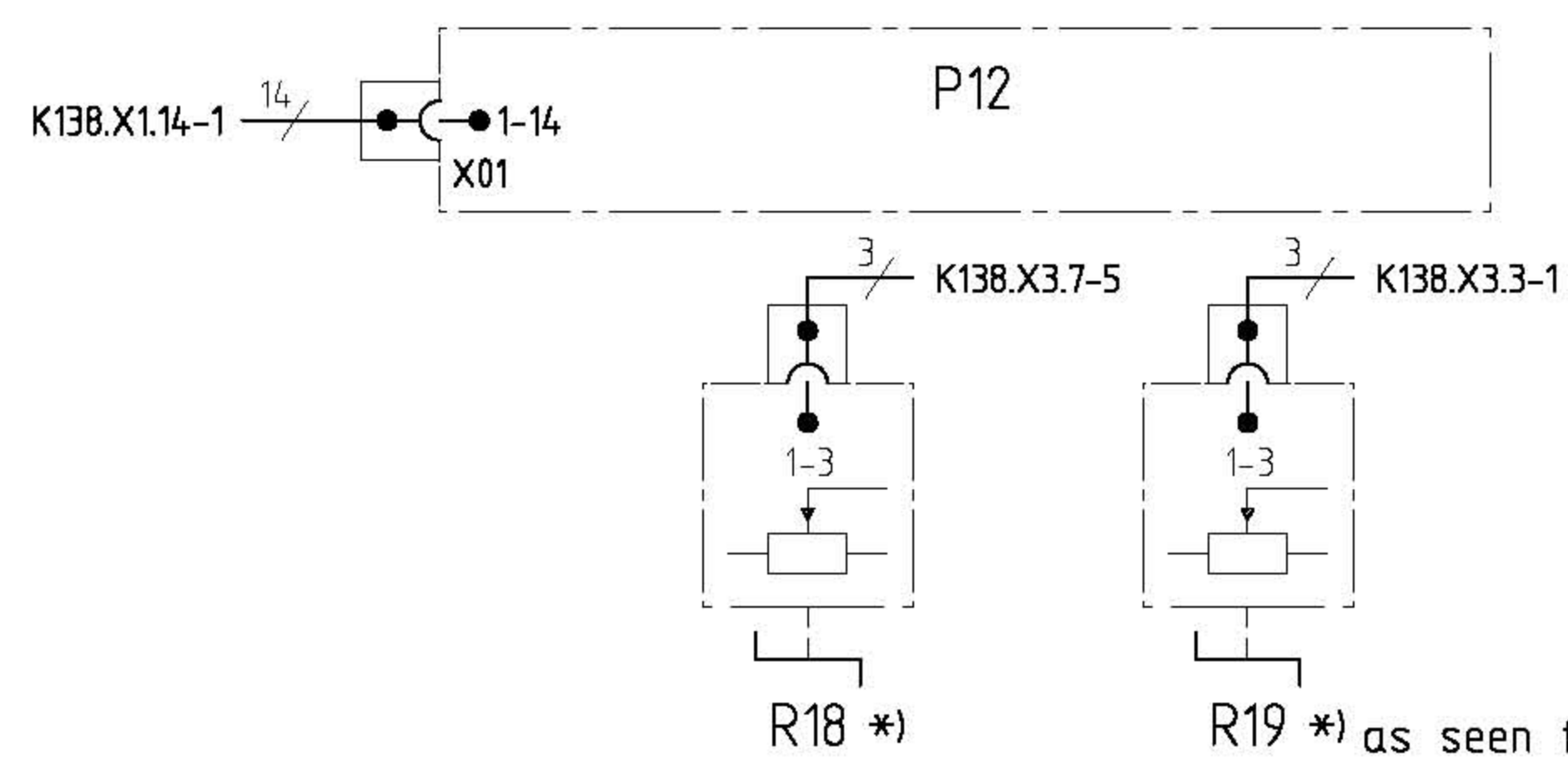


*) R18 and R19 in Bosch appliances swapped mutually

as seen from the back

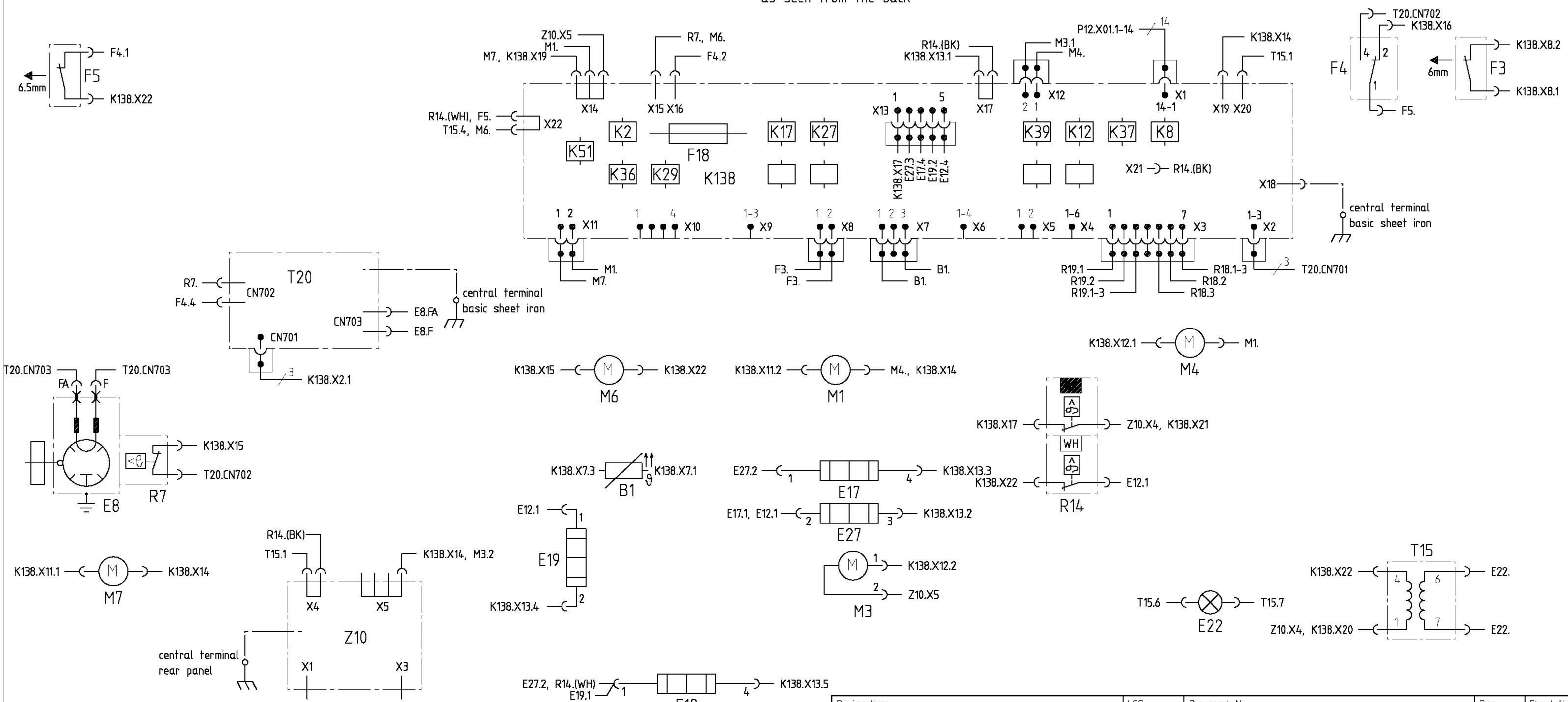


| | | | | |
|--|-----------|---------------------------------|----------|----------------|
| Designation connection diagram HB 86K570 | LCS EN | Document No. 5650 0000064269 | Rev A | Sheet-No. 1 |
| | | Material No. 9000189329 | | of 1 |

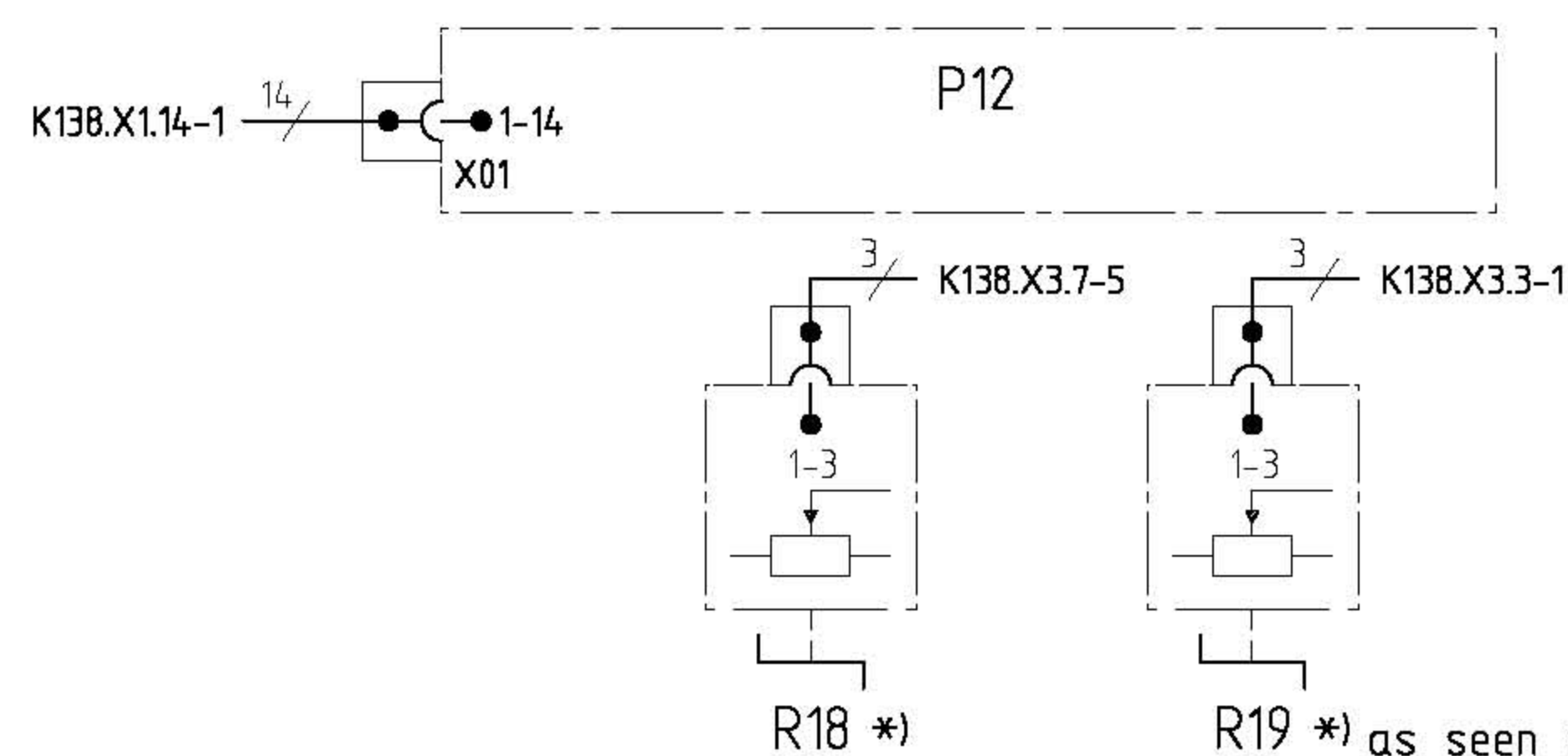


*) R18 and R19 in Bosch appliances swapped mutually

as seen from the back

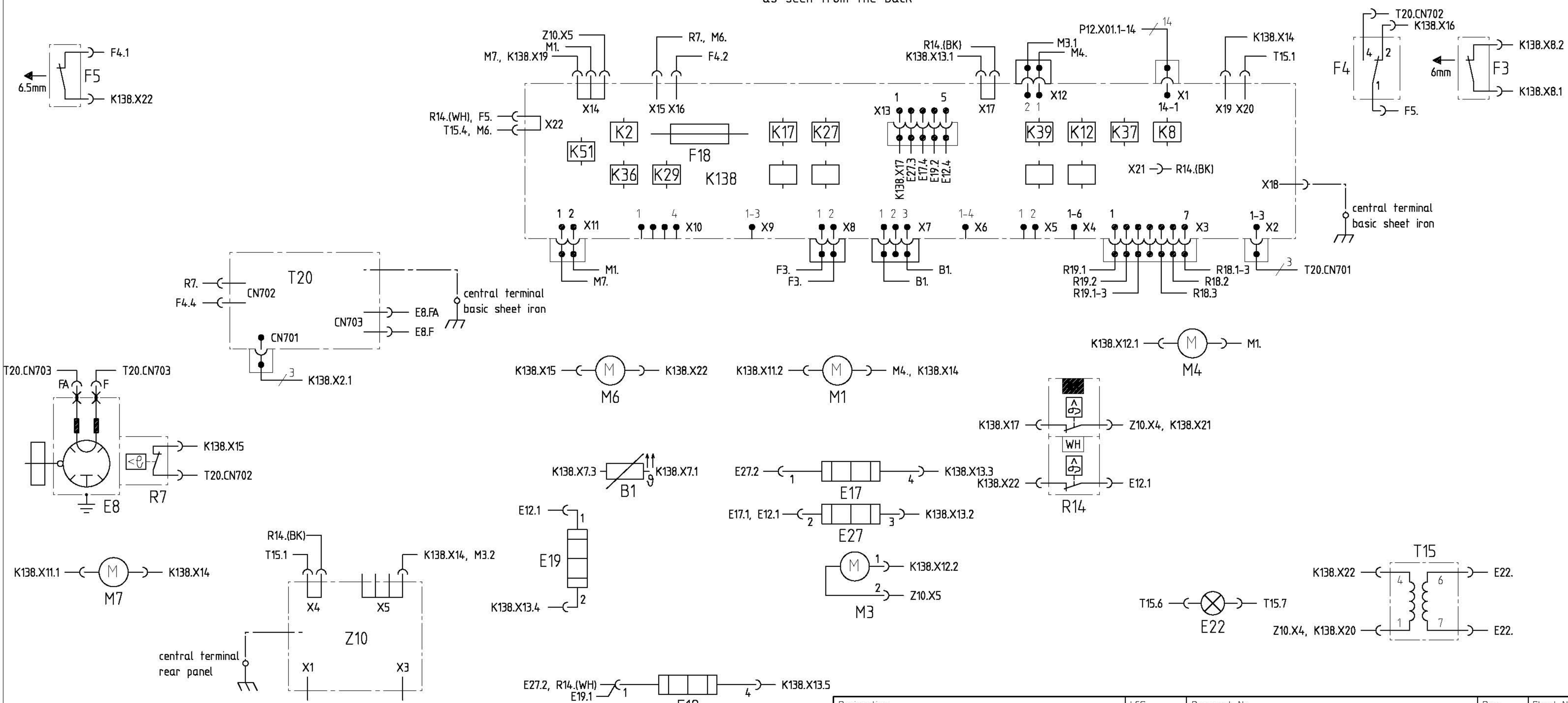


| | | | | |
|--|-----------|---------------------------------|----------|----------------|
| Designation connection diagram HB 86K570 | LCS ES | Document No. 5650 0000064269 | Rev A | Sheet-No. 1 |
| | | Material No. 9000189329 | | of 1 |

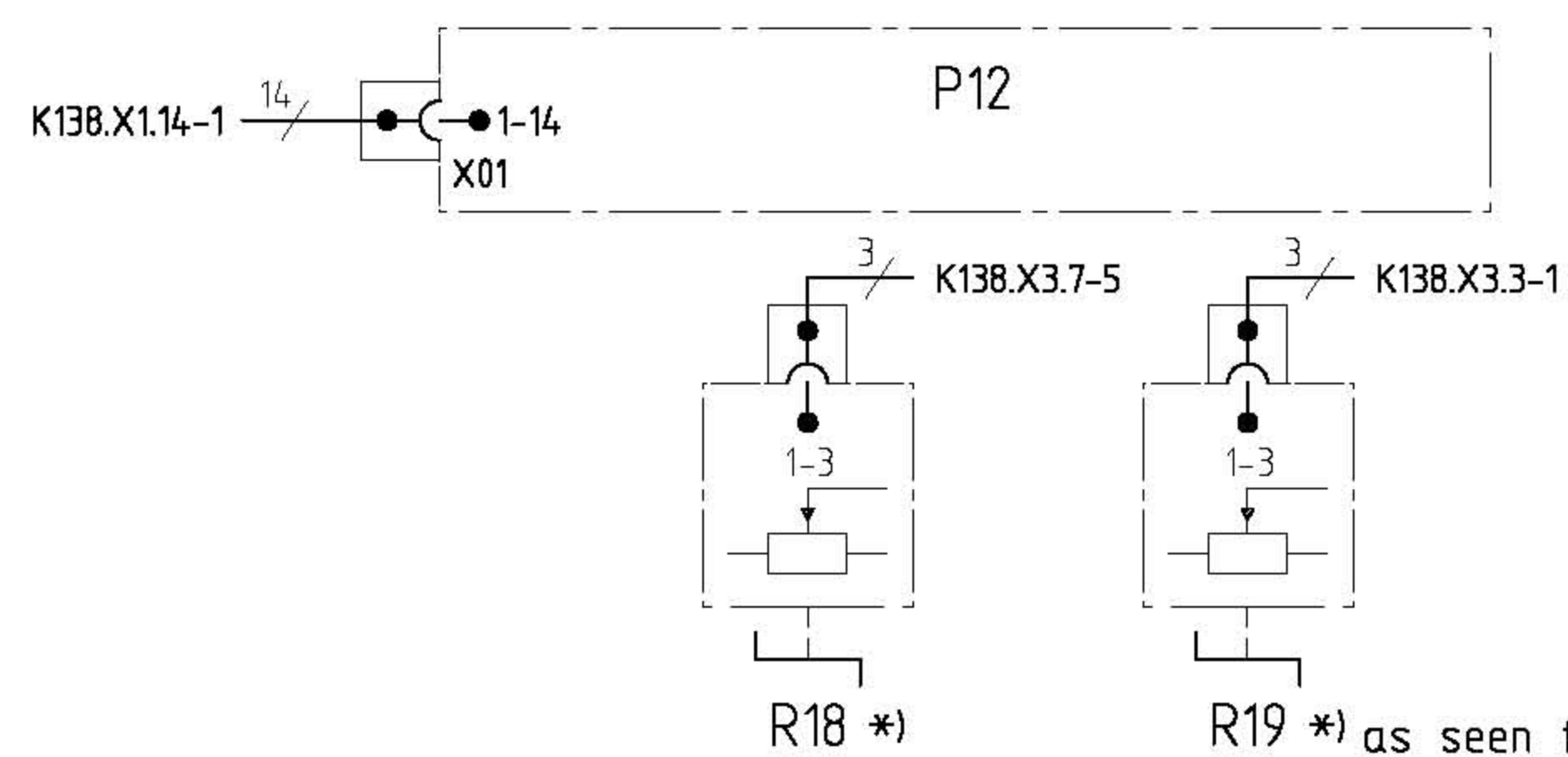


*) R18 and R19 in Bosch appliances swapped mutually

as seen from the back

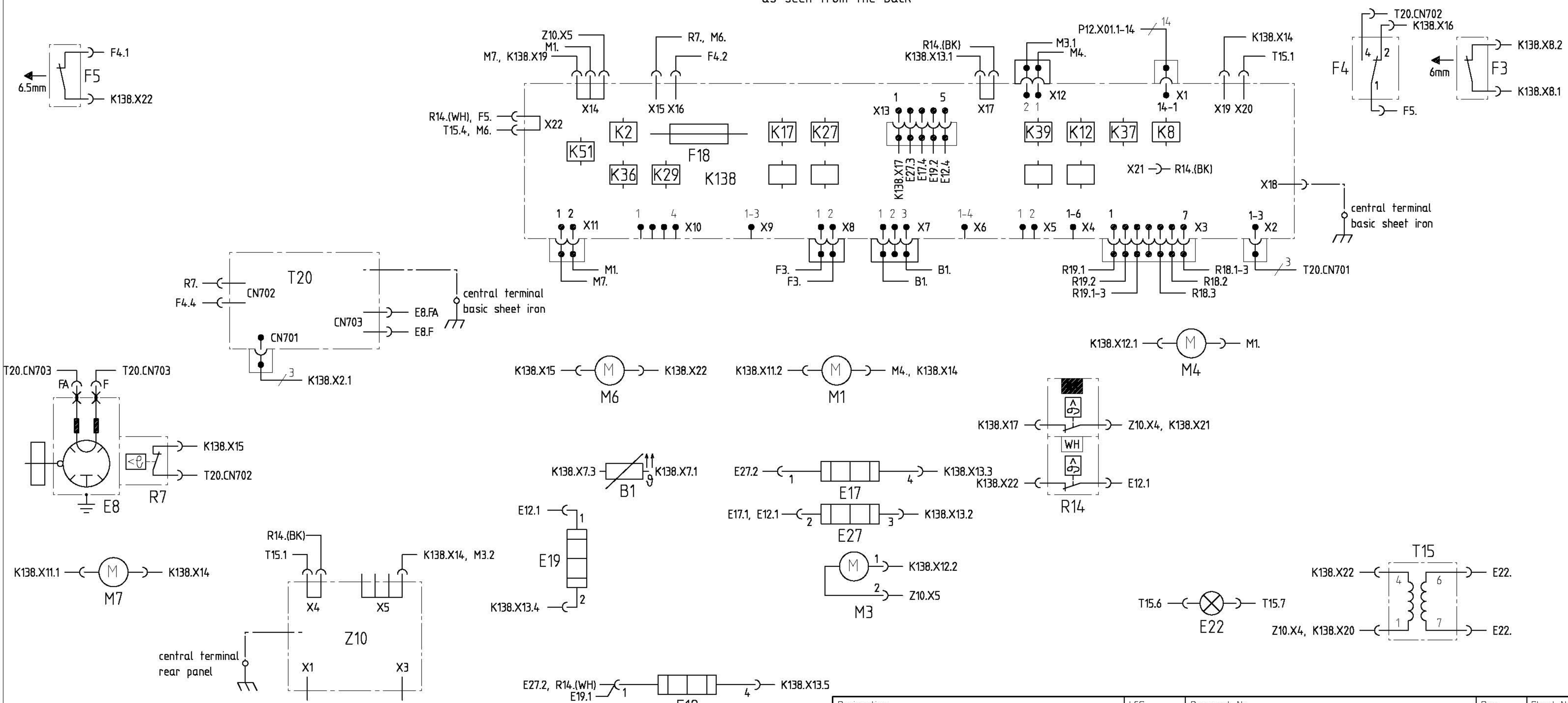


| | | | | |
|--|-----------|-------------------------|-----|-----------|
| Designation connection diagram HB 86K570 | LCS FR | Document No. | Rev | Sheet-No. |
| | | 5650 0000064269 | A | 1 of 1 |
| | | Material No. 9000189329 | | |

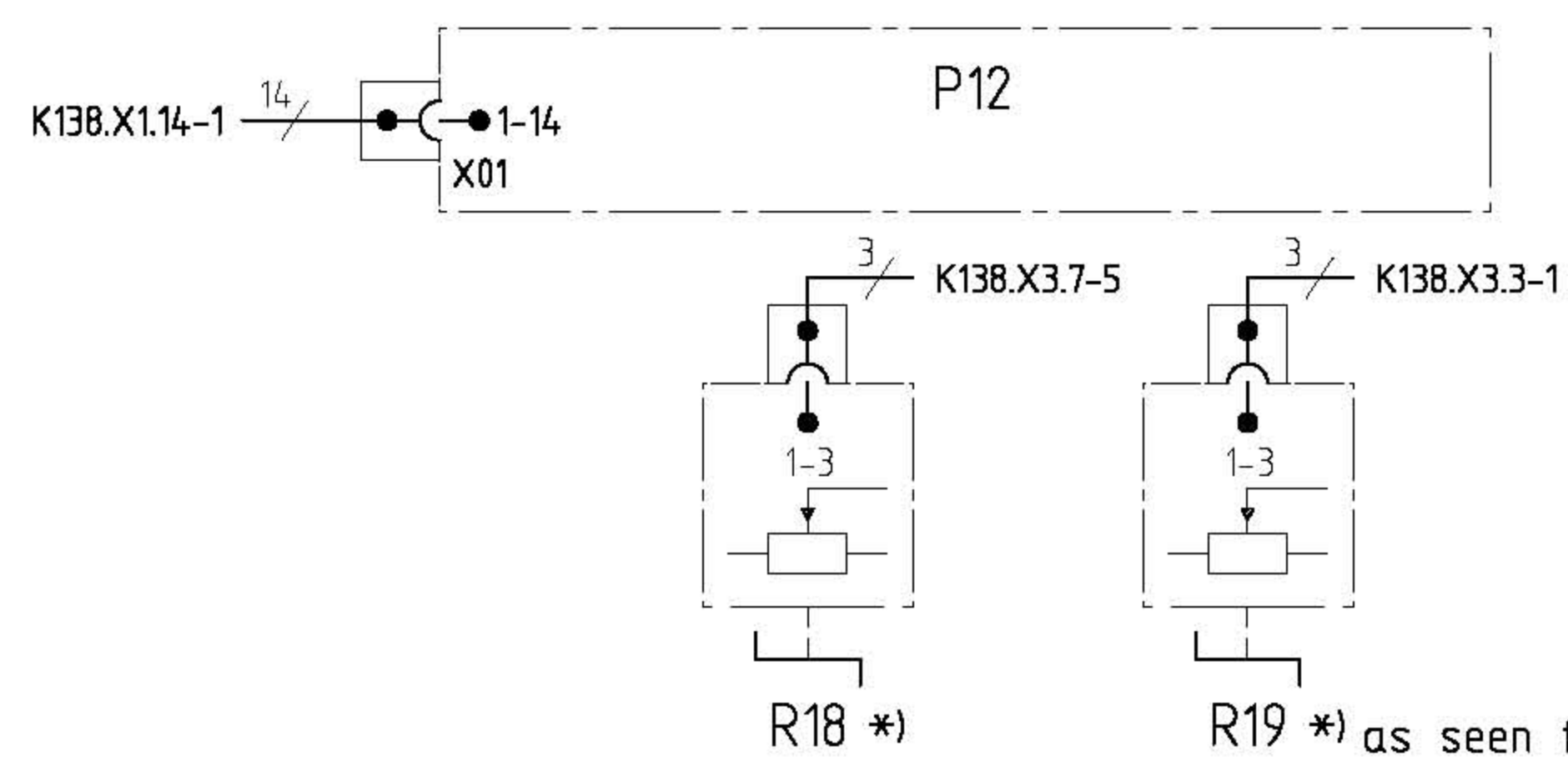


*) R18 and R19 in Bosch appliances swapped mutually

as seen from the back

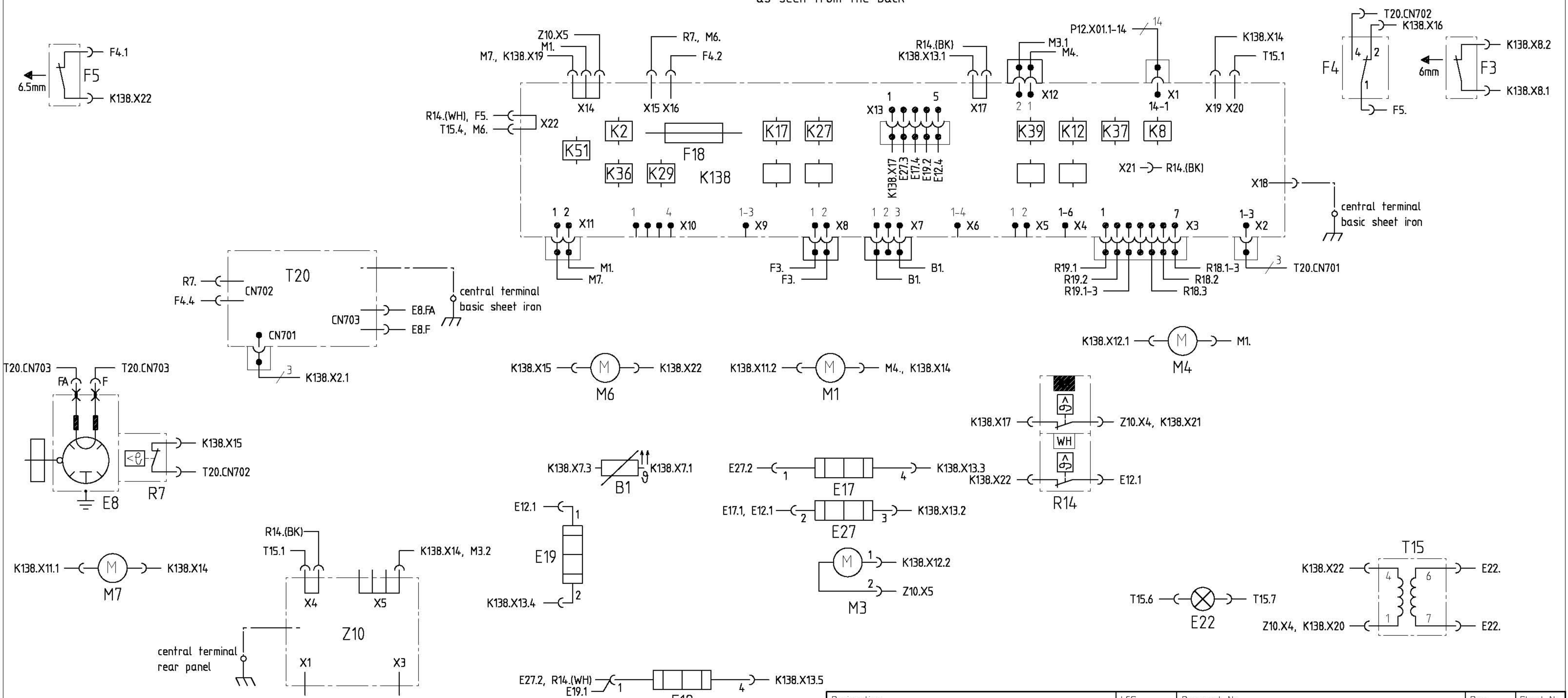


| | | | | |
|--|-----------|---------------------------------|----------|----------------|
| Designation connection diagram HB 86K570 | LCS PT | Document No. 5650 0000064269 | Rev A | Sheet-No. 1 |
| | | Material No. 9000189329 | | of 1 |

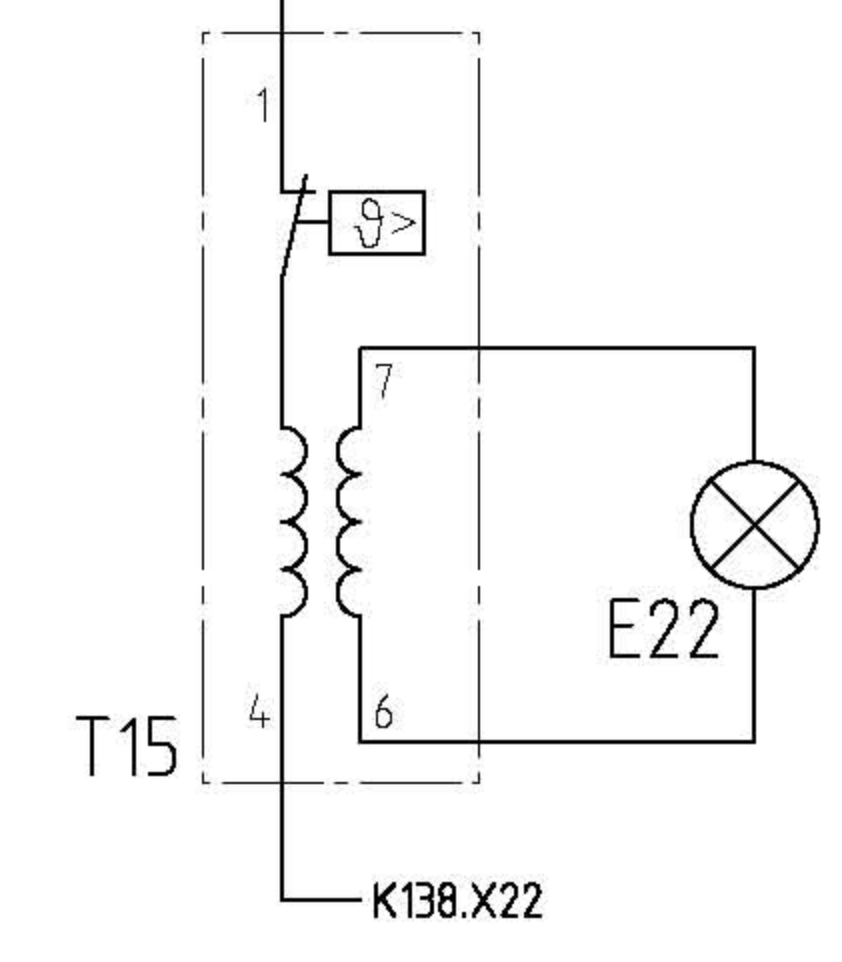
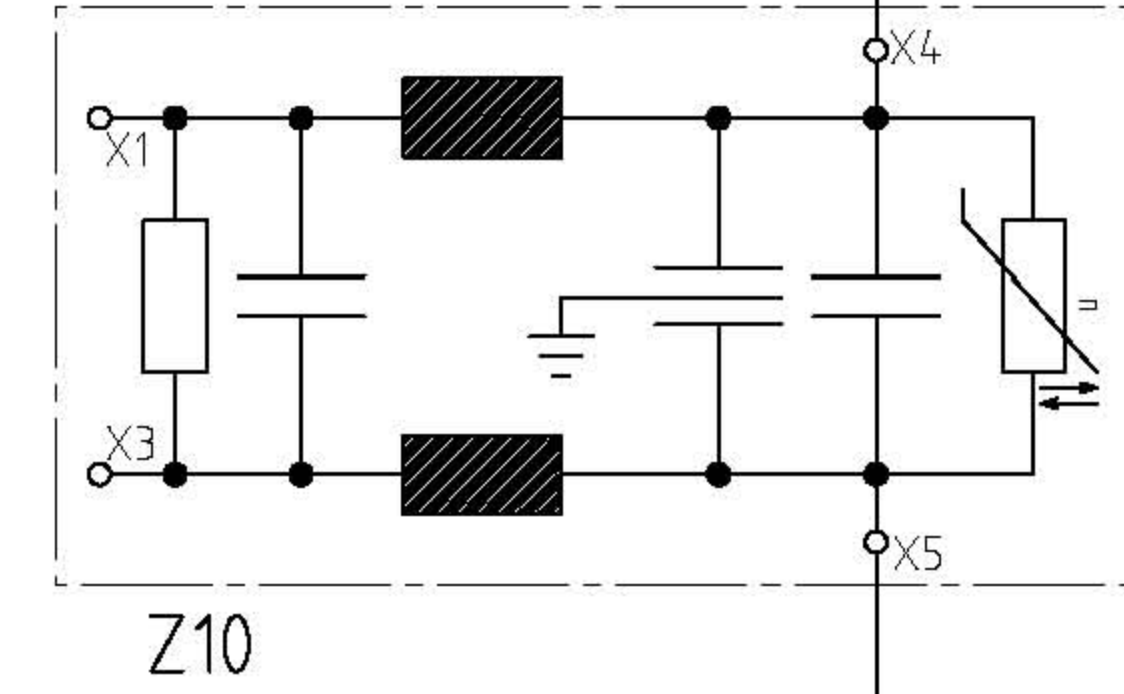
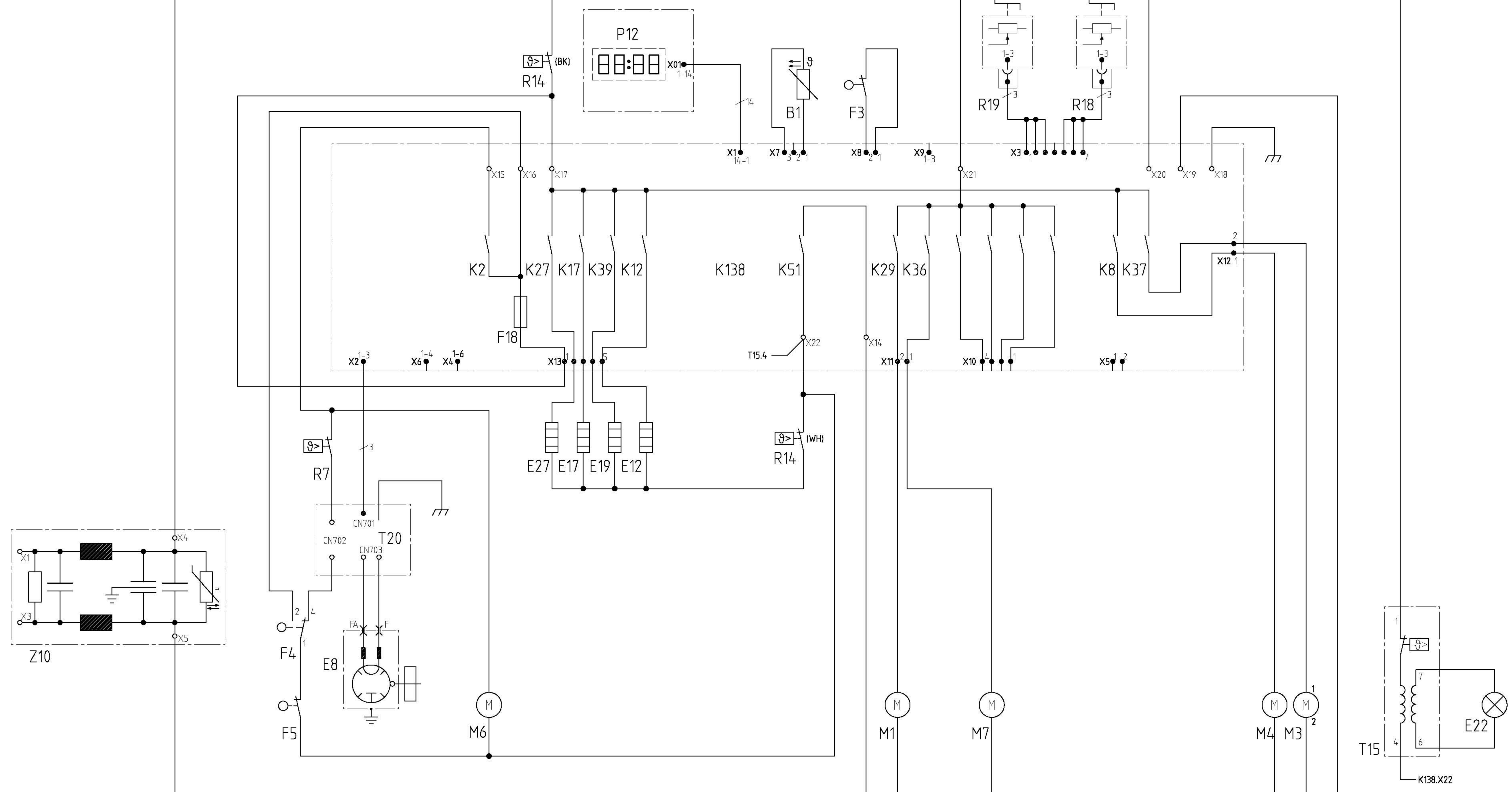


as seen from the front
as seen from the back

*) R18 and R19 in Bosch-appliances swapped mutually



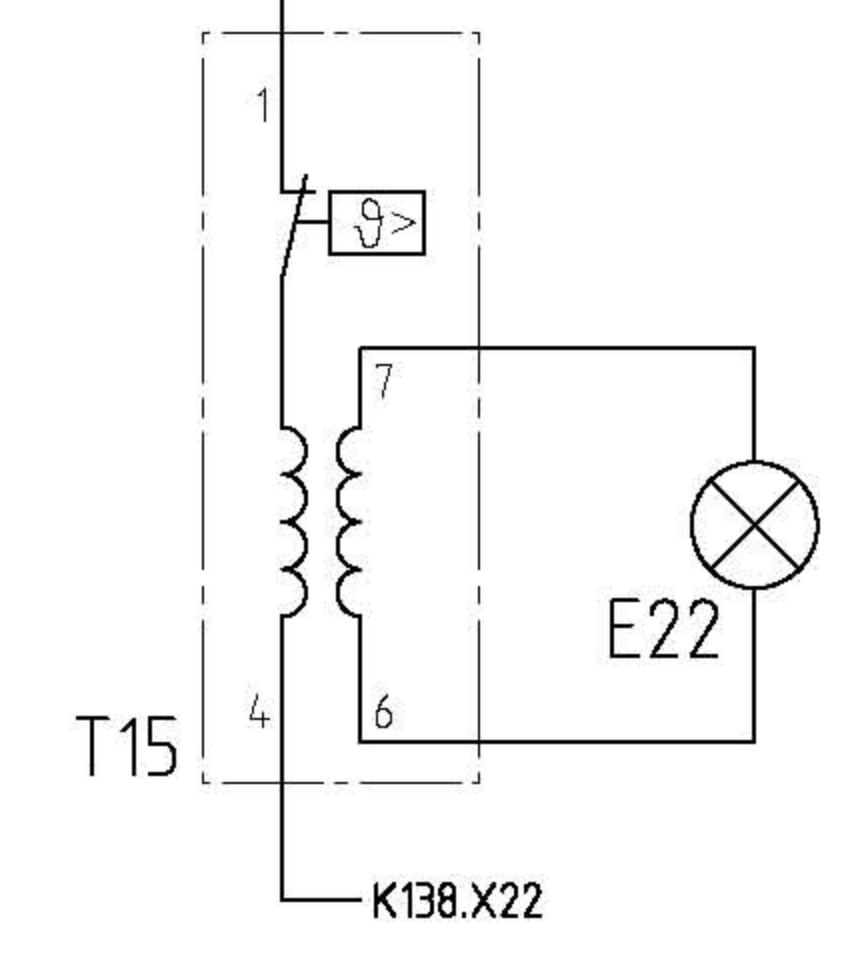
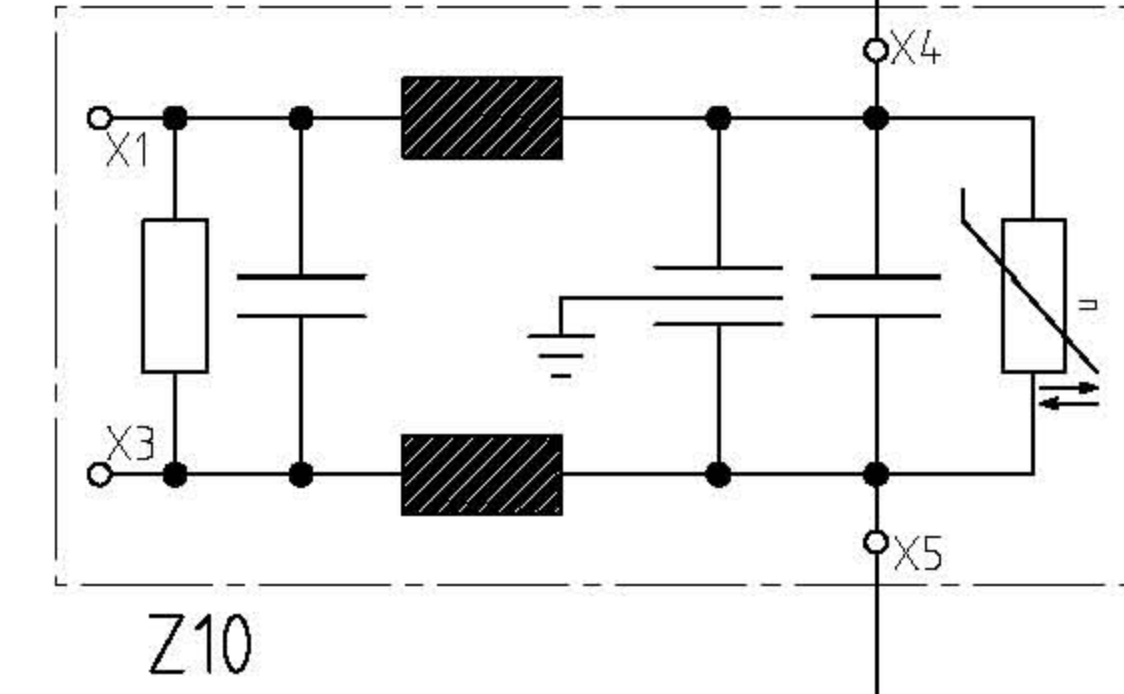
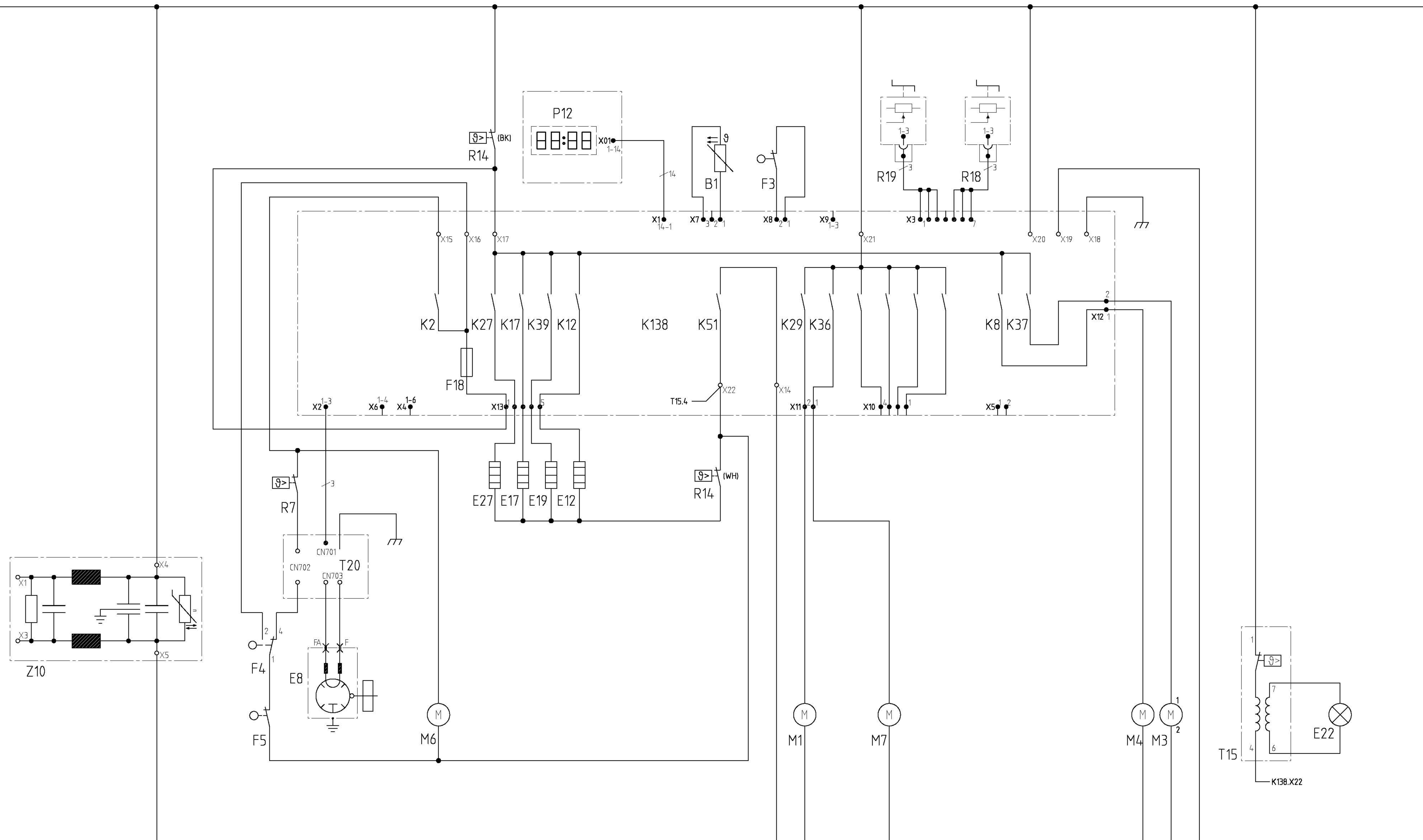
| | | | | |
|--|-----------|---------------------------------|----------|----------------|
| Designation connection diagram HB 86K570 | LCS TR | Document No. 5650 0000064269 | Rev A | Sheet-No. 1 |
| | | Material No. 9000189329 | | of 1 |



1 2 3 4 5 6 7 8 9 10 11 12 13 14 15 16 17 18 19 20 21 22 23 24 25 26 27 28 29 30 31 32 33 34 35 36 37 38 39 40 41 42 43 44 45 46 47 48 49 50 51 52 53 54 55

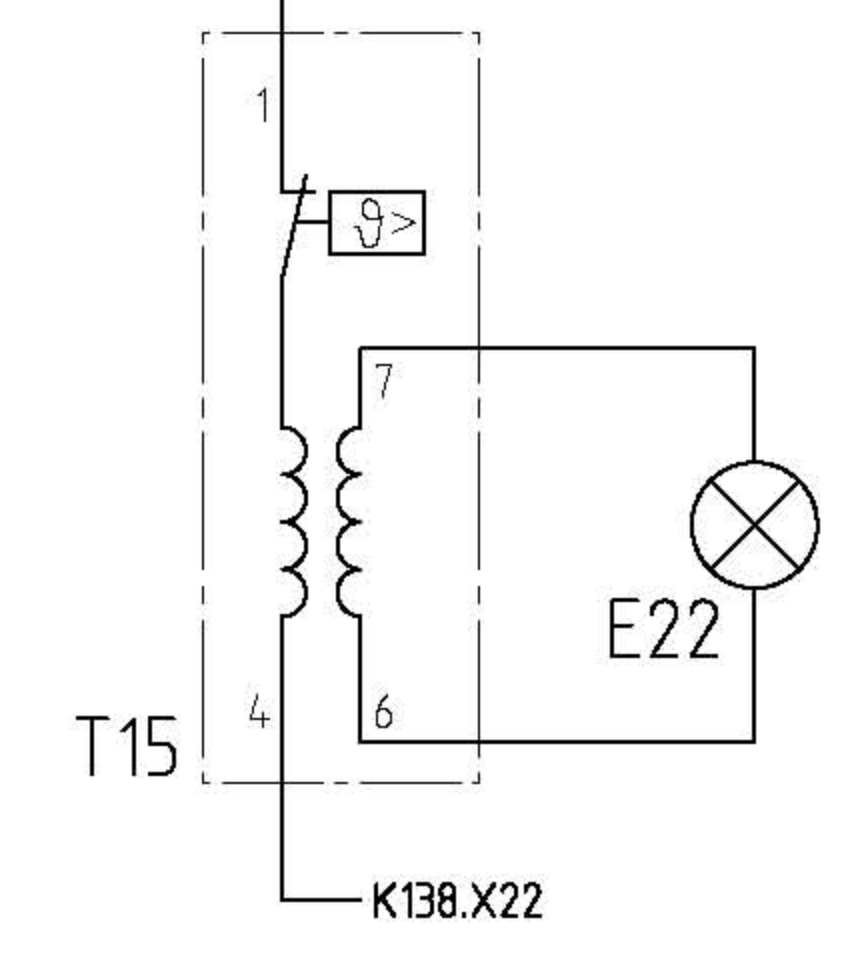
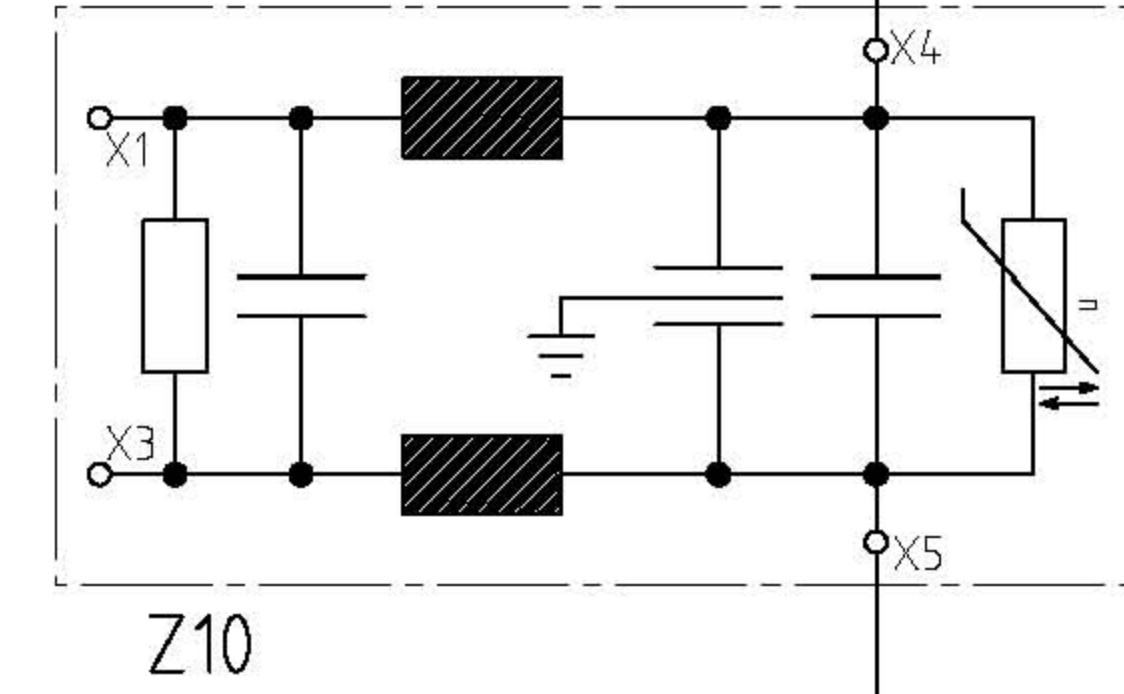
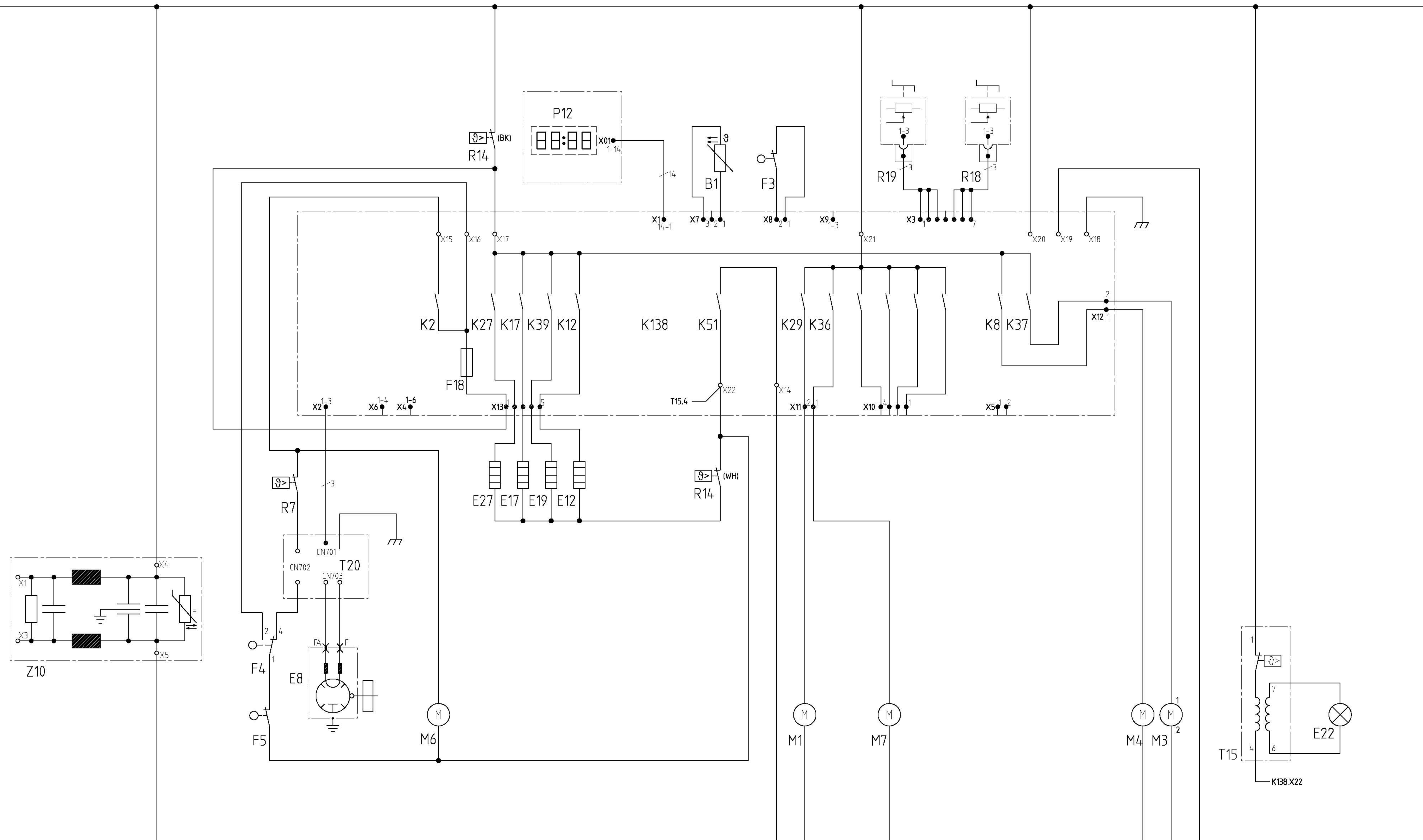
| REF | Bauteile | Pfad | REF | Bauteile | Pfad | REF | Bauteile | Pfad |
|-----|-----------------------------|-------|------|------------------|-------|-----|------------------------|-------|
| B1 | Backofentemperaturfühler | 28 | K12 | Leistungsrelais | 23 | M7 | Magnetronlüfter | 34 |
| E8 | Magnetron | 14-15 | K17 | Leistungsrelais | 21 | P12 | Eingabe Anzeigeplatine | 21-25 |
| E12 | Unterhitze 1500W /230V | 23 | K27 | Leistungsrelais | 20 | R7 | Temperaturbegrenzer | 13 |
| E17 | Grillheizkörper 1100W /230V | 21 | K29 | Relais | 31 | R14 | Temperaturbegrenzer | 20,28 |
| E19 | Umluftheizkörper 600W /230V | 22 | K36 | Relais | 32 | R18 | Sollwertgeber | 38 |
| E22 | Backofenlampe 20W | 50 | K37 | Relais | 39 | R19 | Sollwertgeber | 35 |
| E27 | Grillheizkörper 1400W /230V | 20 | K39 | Leistungsrelais | 22 | T15 | Transformator | 47-48 |
| F3 | Sicherheitsschalter | 30 | K51 | Leistungsrelais | 28 | T20 | Inverter | 13-16 |
| F4 | Sicherheitsschalter | 12 | K138 | Steuerplatine | 13-41 | Z10 | Funkentstörfilter | 3-8 |
| F5 | Sicherheitsschalter | 12 | M1 | Kühlgebläsemotor | 31 | | | |
| F18 | Sicherung 8A | 19 | M3 | Umluftmotor | 44 | | | |
| K2 | Leistungsrelais | 18 | M4 | Wrasenlüfter | 43 | | | |
| K8 | Relais | 38 | M6 | Antennenmotor | 18 | | | |

Sicherheitsschalter bei geschlossener Tür



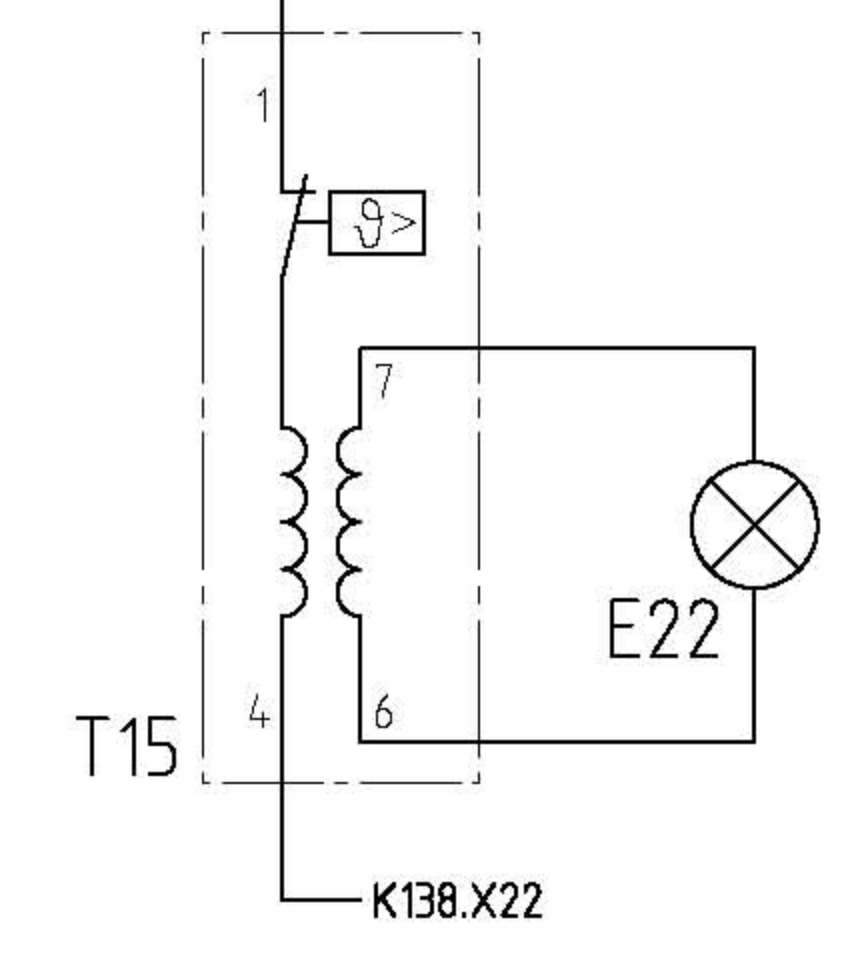
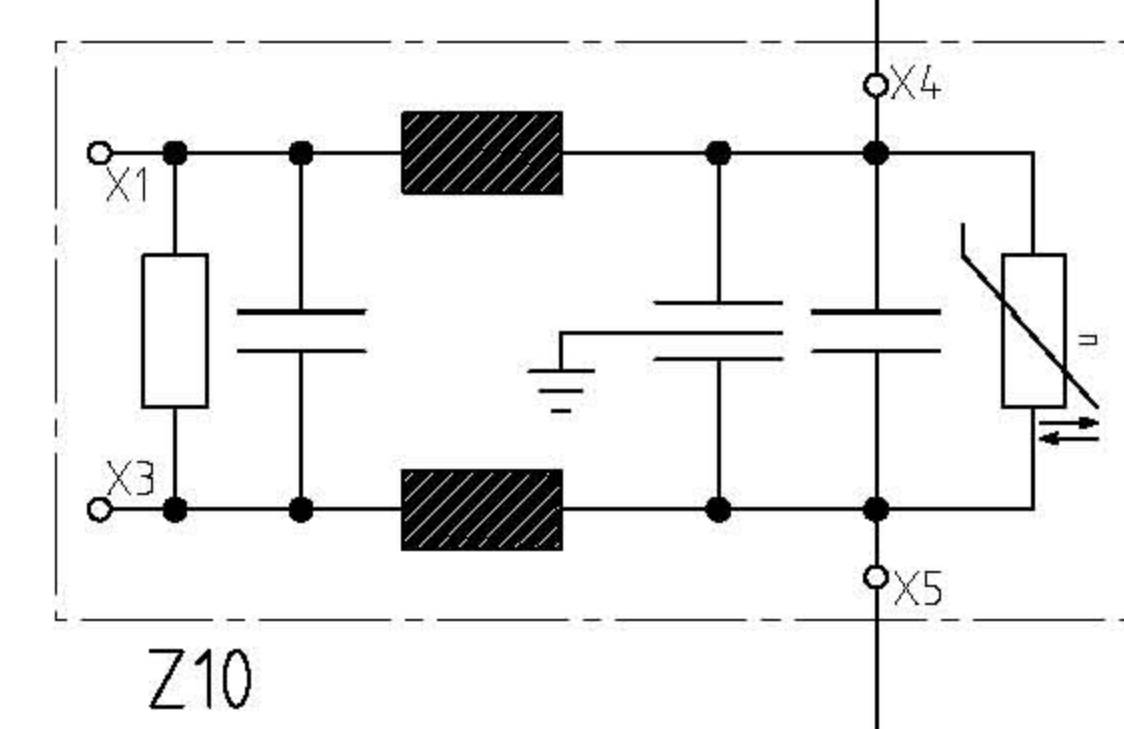
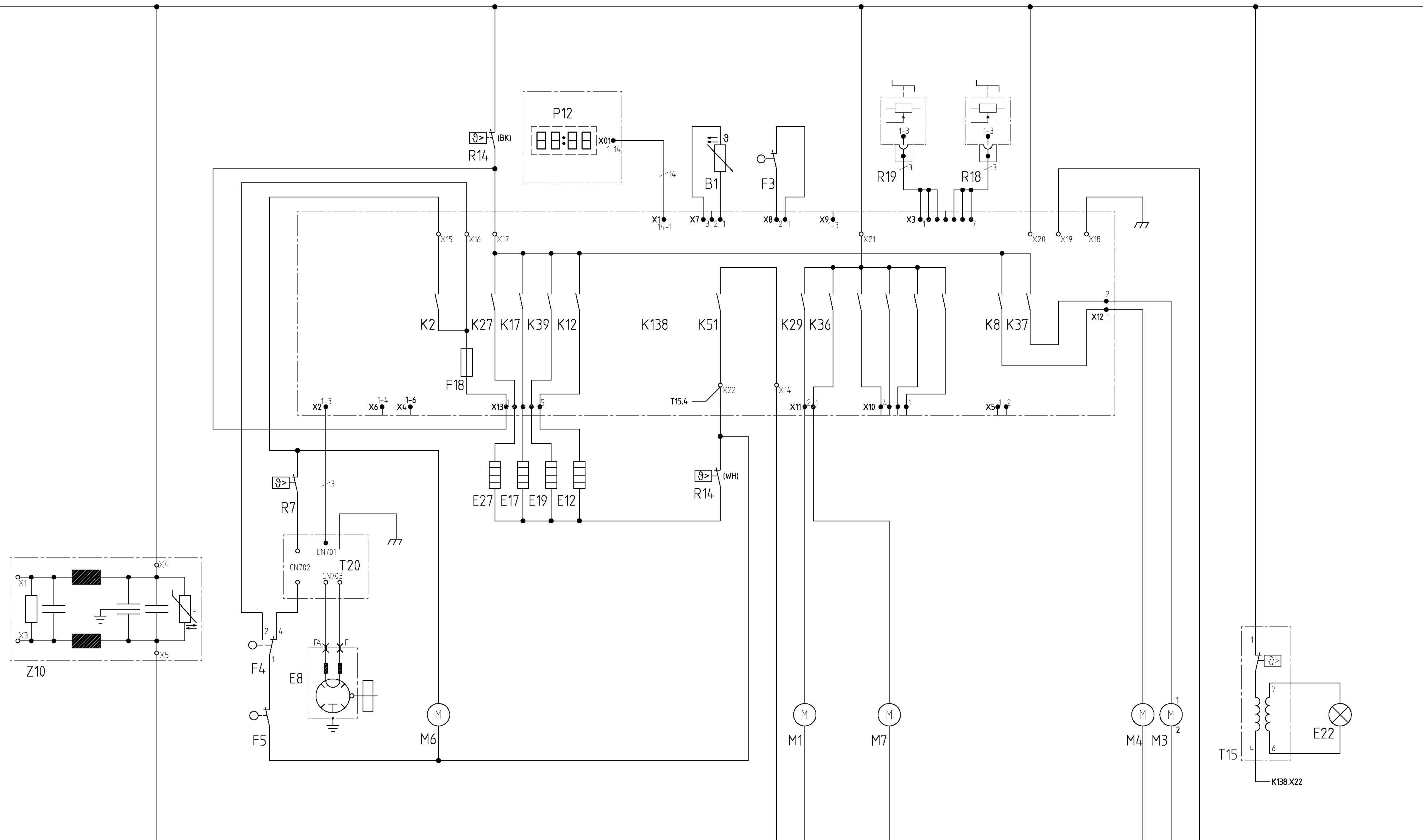
| REF | Components | Path | REF | Components | Path | REF | Components | Path |
|-----|--|-------|------|-----------------------|-------|-----|----------------------------------|-------|
| B1 | Oven temperature sensor | 28 | K2 | Power relay | 18 | M4 | Vapour fan | 43 |
| E8 | Magnetron | 14-15 | K8 | Relay | 38 | M6 | Antenna motor | 18 |
| E12 | Bottom heat 1500W /230V | 23 | K12 | Power relay | 23 | M7 | Magnetron fan | 34 |
| E17 | Grill heating element 1100W /230V | 21 | K17 | Power relay | 21 | P12 | Input indicator pcb | 21-25 |
| E19 | Circulating air heating element 600W /230V | 22 | K27 | Power relay | 20 | R7 | Temperature limiter | 13 |
| E22 | Oven light 20W | 50 | K29 | Relay | 31 | R14 | Temperature limiter | 20,28 |
| E27 | Grill heating element 1400W /230V | 20 | K36 | Relay | 32 | R18 | Set point generator | 38 |
| F3 | Safety switch | 30 | K37 | Relay | 39 | R19 | Set point generator | 35 |
| F4 | Safety switch | 12 | K39 | Power relay | 22 | T15 | Transformer | 47-48 |
| F5 | Safety switch | 12 | K51 | Power relay | 28 | T20 | Inverter | 13-16 |
| F18 | Fuse 8A | 19 | K138 | Control pc board | 13-41 | Z10 | Interference suppression filters | 3-8 |
| | | | M1 | Cooling blower motor | 31 | | | |
| | | | M3 | Circulating air motor | 44 | | | |

safety switches by closed door



| REF | Componentes | Posición | REF | Componentes | Posición | REF | Componentes | Posición | REF | Componentes | Posición |
|-----|--|----------|------|-----------------------------|----------|-----|---|----------|-----|-----------------------------------|----------|
| B1 | Sonda de temperatura del horno | 28 | K8 | Relé | 38 | M4 | Ventilador para la salida de humos | 43 | Z10 | Filtro supresor de interferencias | 3-8 |
| E8 | Magnetron | 14-15 | K12 | Relé de potencia | 23 | M6 | Motor de accionamiento de la antena | 18 | | | |
| E12 | Calor inferior 1500W /230V | 23 | K17 | Relé de potencia | 21 | M7 | Ventilador del magnetron | 34 | | | |
| E17 | Resistencia del grill 1100W /230V | 21 | K27 | Relé de potencia | 20 | P12 | Platina de programación y visualización | 21-25 | | | |
| E19 | Resistencia del aire circulante 600W /230V | 22 | K29 | Relé | 31 | R7 | Limitador de temperatura | 13 | | | |
| E22 | Lámpara del horno 20W | 50 | K36 | Relé | 32 | R14 | Limitador de temperatura | 20,28 | | | |
| E27 | Resistencia del grill 1400W /230V | 20 | K37 | Relé | 39 | R18 | Transmisor de valores prescritos | 38 | | | |
| F3 | Interruptor de seguridad | 30 | K39 | Relé de potencia | 22 | R19 | Transmisor de valores prescritos | 35 | | | |
| F4 | Interruptor de seguridad | 12 | K51 | Relé de potencia | 28 | T15 | Transformador | 47-48 | | | |
| F5 | Interruptor de seguridad | 12 | K138 | Placa electrónica de mando | 13-41 | T20 | Inversor | 13-16 | | | |
| F18 | Fusible 8A | 19 | M1 | Ventilador | 31 | | | | | | |
| K2 | Relé de potencia | 18 | M3 | Turbina del aire circulante | 44 | | | | | | |

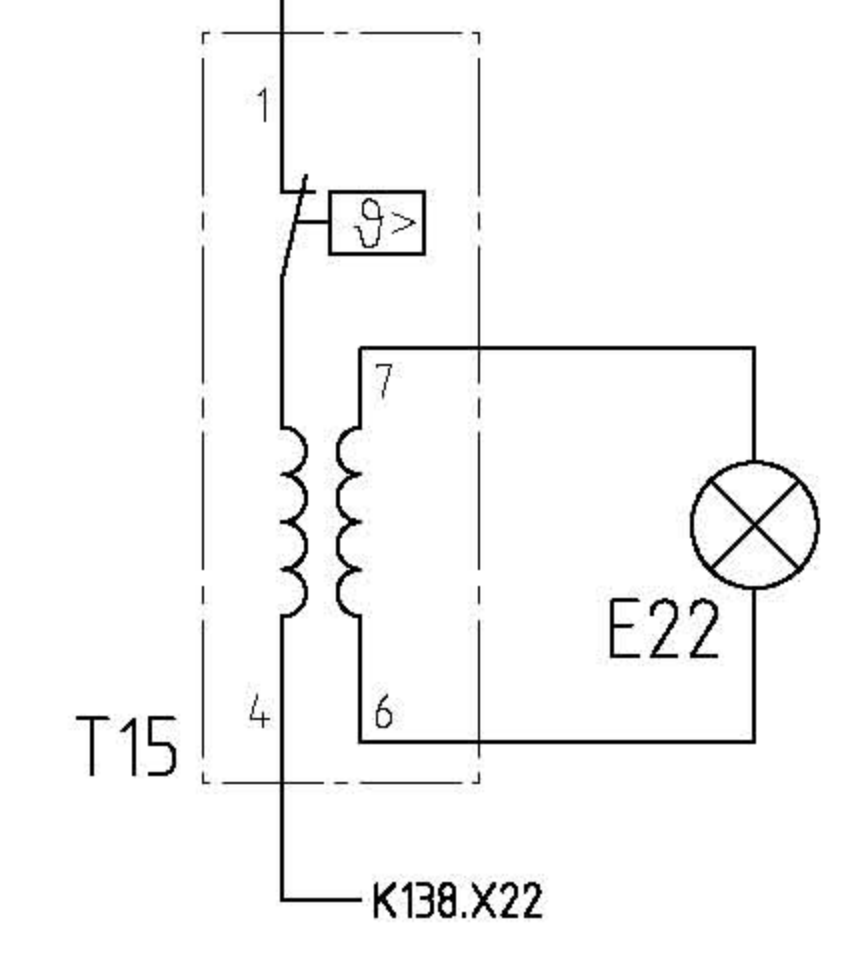
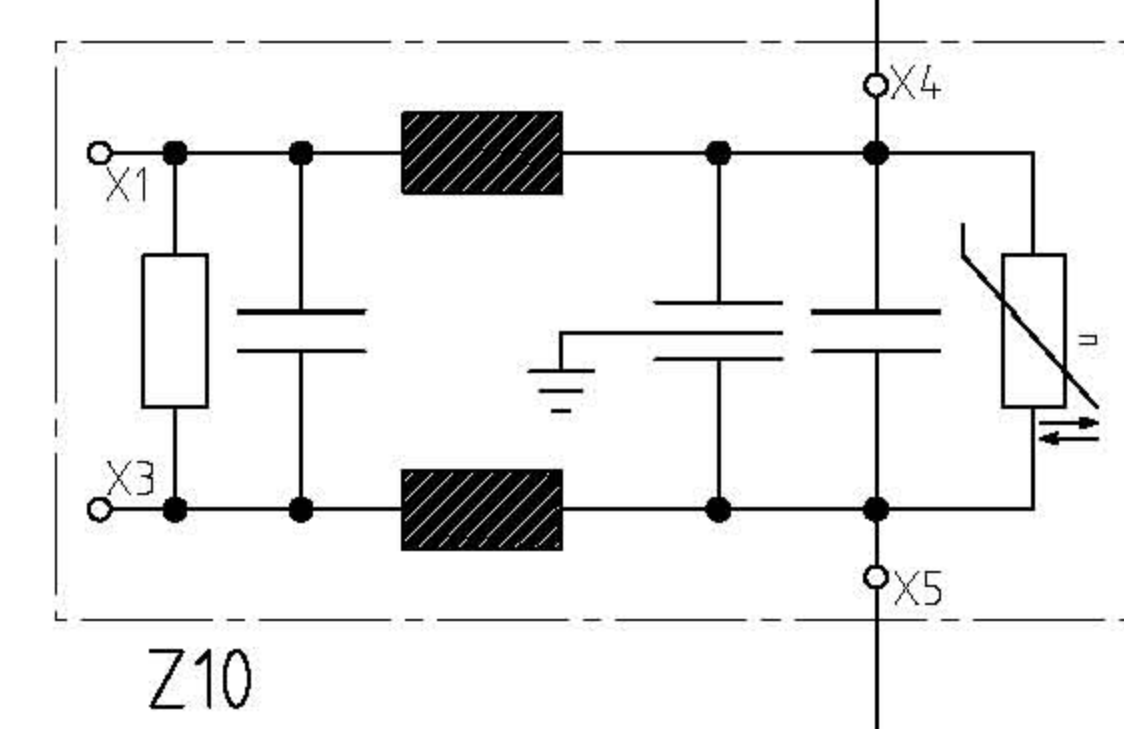
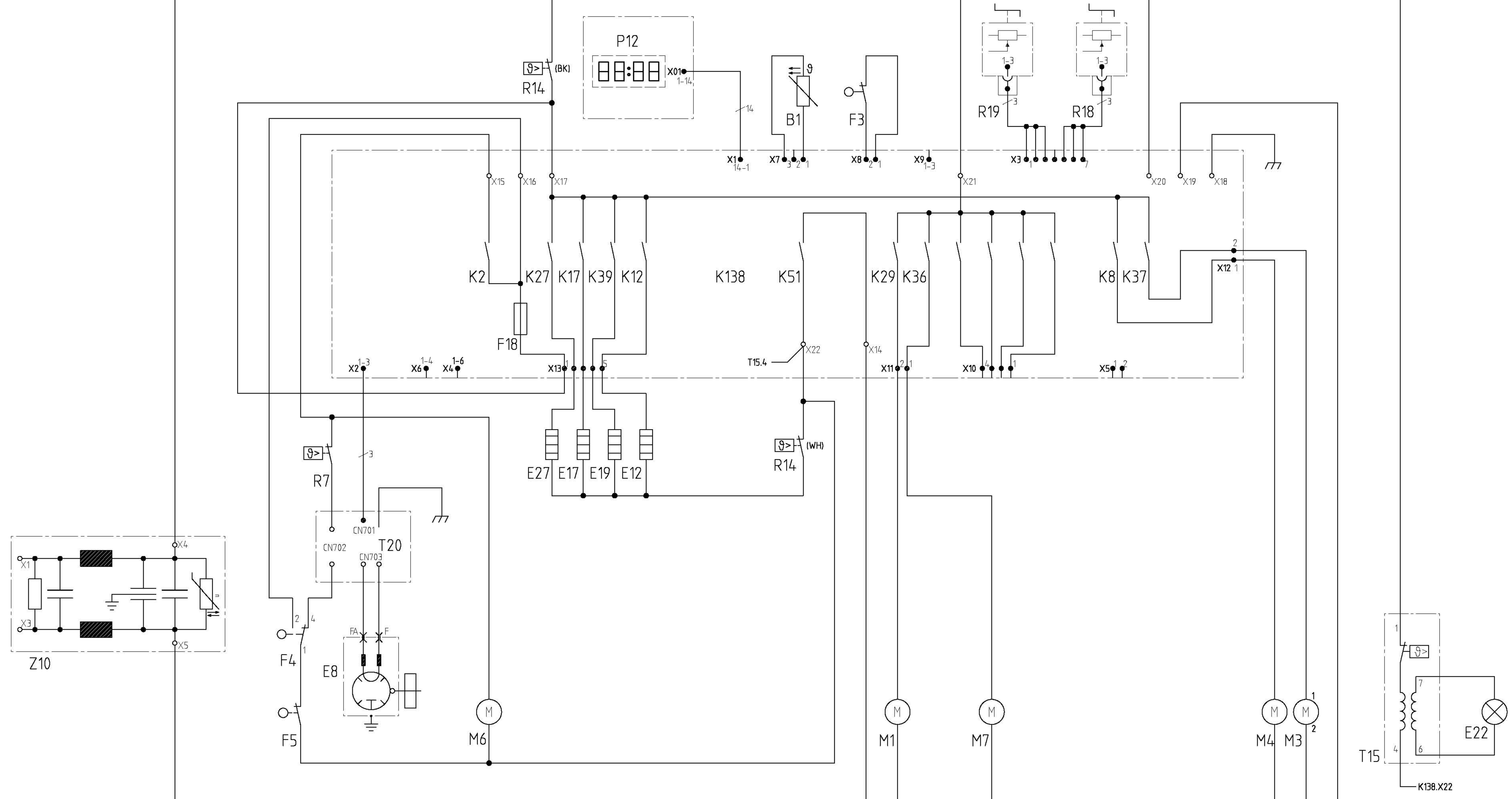
safety switches by closed door



1 2 3 4 5 6 7 8 9 10 11 12 13 14 15 16 17 18 19 20 21 22 23 24 25 26 27 28 29 30 31 32 33 34 35 36 37 38 39 40 41 42 43 44 45 46 47 48 49 50 51 52 53 54 55

| REF | Composants | Circuit | REF | Composants | Circuit | REF | Composants | Circuit |
|-----|----------------------------------|---------|------|-----------------------------------|---------|-----|---------------------------------------|---------|
| B1 | Sonde de température du four | 28 | K12 | Relais de puissance | 23 | M7 | Ventilateur du magnétron | 34 |
| E8 | Magnétron | 14-15 | K17 | Relais de puissance | 21 | P12 | Platine de visualisat et de prog | 21-25 |
| E12 | Chaleur de sole 1500W /230V | 23 | K27 | Relais de puissance | 20 | R7 | Limiteur de température | 13 |
| E17 | Résistance du gril 1100W /230V | 21 | K29 | Relais | 31 | R14 | Limiteur de température | 20,28 |
| E19 | Ventilateur air pulsé 600W /230V | 22 | K36 | Relais | 32 | R18 | Transmetteur de la valeur de consigne | 38 |
| E22 | Éclairage du four 20W | 50 | K37 | Relais | 39 | R19 | Transmetteur de la valeur de consigne | 35 |
| E27 | Résistance du gril 1400W /230V | 20 | K39 | Relais de puissance | 22 | T15 | Transformateur | 47-48 |
| F3 | Interrupteur de sécurité | 30 | K51 | Relais de puissance | 28 | T20 | Inverseur | 13-16 |
| F4 | Interrupteur de sécurité | 12 | K138 | Carte de commande | 13-41 | Z10 | Filtre de déparasitage | 3-8 |
| F5 | Interrupteur de sécurité | 12 | M1 | Moteur du ventilateur de refroid | 31 | | | |
| F18 | Fusible disjoncteur 8A | 19 | M3 | Moteur de ventil à air pulsé | 44 | | | |
| K2 | Relais de puissance | 18 | M4 | Ventilateur à buées | 43 | | | |
| K8 | Relais | 38 | M6 | Motor d'entraînement de l'antenne | 18 | | | |

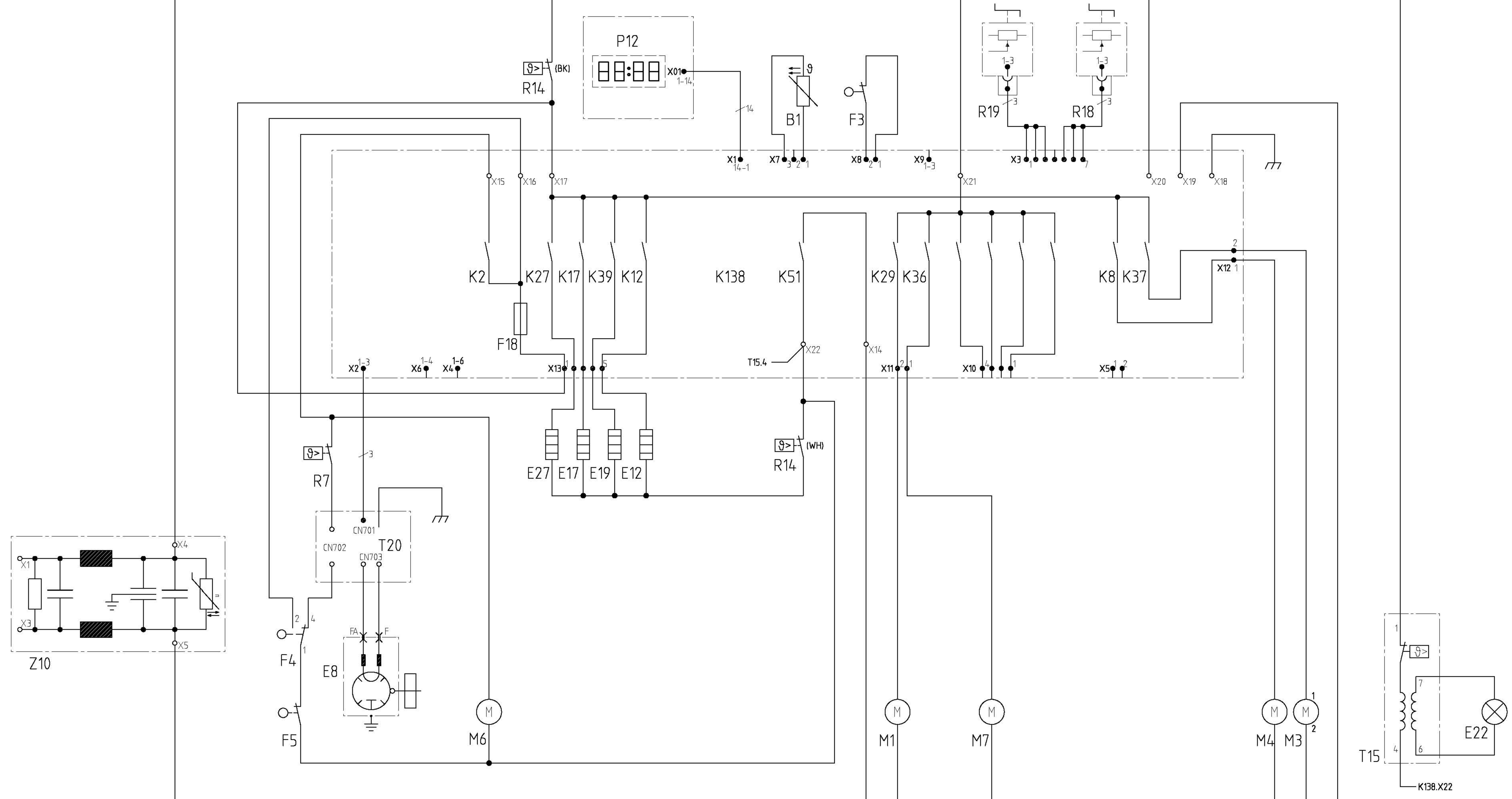
safety switches by closed door



1 2 3 4 5 6 7 8 9 10 11 12 13 14 15 16 17 18 19 20 21 22 23 24 25 26 27 28 29 30 31 32 33 34 35 36 37 38 39 40 41 42 43 44 45 46 47 48 49 50 51 52 53 54 55

| REF | Componentes | Percurso | REF | Componentes | Percurso | REF | Componentes | Percurso |
|-----|--|----------|------|---------------------|----------|-----|---------------------------------|----------|
| B1 | Sensor de temperatura do forno | 28 | F18 | Fusível 8A | 19 | M3 | Motor de ar quente | 44 |
| E8 | Magnetron | 14-15 | K2 | Relê de potência | 18 | M4 | Ventilador de vapores | 43 |
| E12 | Calor inferior 1500W /230V | 23 | K8 | Relê | 38 | M6 | Motor de antena | 18 |
| E17 | Resistência do grelhador 1100W /230V | 21 | K12 | Relê de potência | 23 | M7 | Ventilador do magnetron | 34 |
| E19 | Resistência c circulo de ar 600W /230V | 22 | K17 | Relê de potência | 21 | P12 | Platina de introdução indicação | 21-25 |
| E22 | Lâmpada do forno 20W | 50 | K27 | Relê de potência | 20 | R7 | Limitador de temperatura | 13 |
| E27 | Resistência do grelhador 1400W /230V | 20 | K29 | Relê | 31 | R14 | Limitador de temperatura | 20,28 |
| F3 | Interruptor de segurança | 30 | K36 | Relê | 32 | R18 | Transmissor de valor teórico | 38 |
| F4 | Interruptor de segurança | 12 | K37 | Relê | 39 | R19 | Transmissor de valor teórico | 35 |
| F5 | Interruptor de segurança | 12 | K39 | Relê de potência | 22 | T15 | Transformador | 47-48 |
| | | | K51 | Relê de potência | 28 | T20 | Inversor | 13-16 |
| | | | K138 | Placa de comando | 13-41 | Z10 | Filtro de interferências | 3-8 |
| | | | M1 | Motor do ventilador | 31 | | | |

safety switches by closed door



1 2 3 4 5 6 7 8 9 10 11 12 13 14 15 16 17 18 19 20 21 22 23 24 25 26 27 28 29 30 31 32 33 34 35 36 37 38 39 40 41 42 43 44 45 46 47 48 49 50 51 52 53 54 55

| REF | Parçalar | Akim yolu | REF | Parçalar | Akim yolu | REF | Parçalar | Akim yolu |
|-----|-------------------------------------|-----------|------|------------------------|-----------|-----|---|-----------|
| B1 | Firin isi sensörü | 28 | K8 | Röle | 38 | M6 | Anten motoru | 18 |
| E8 | Magnetron | 14-15 | K12 | Güç rölesi | 23 | M7 | Magnetron fanı | 34 |
| E12 | Altıtan ısıtma 1500W /230V | 23 | K17 | Güç rölesi | 21 | P12 | Giriş gösterge için basili devre panosu | 21-25 |
| E17 | İzgara gril ısıtıcısı 1100W /230V | 21 | K27 | Güç rölesi | 20 | R7 | İsi sinirleyici | 13 |
| E19 | Dolaşimli hava ısıtıcısı 600W /230V | 22 | K29 | Röle | 31 | R14 | İsi sinirleyici | 20,28 |
| E22 | Firin lambası 20W | 50 | K36 | Röle | 32 | R18 | İtibari değer vericisi | 38 |
| E27 | İzgara gril ısıtıcısı 14.00W /230V | 20 | K37 | Röle | 39 | R19 | İtibari değer vericisi | 35 |
| F3 | Güvenlik şalteri | 30 | K39 | Güç rölesi | 22 | T15 | Transformatör | 47-48 |
| F4 | Güvenlik şalteri | 12 | K51 | Güç rölesi | 28 | T20 | İnverter | 13-16 |
| F5 | Güvenlik şalteri | 12 | K138 | Kontrol emirme plakası | 13-41 | Z10 | Parazit giderme filtresi | 3-8 |
| F18 | Sigorta 8A | 19 | M1 | Soğutma fanı motoru | 31 | | | |
| K2 | Güç rölesi | 18 | M3 | Dolaşimli hava motoru | 44 | | | |
| | | | M4 | Buhar duman fanı | 43 | | | |

safety switches by closed door