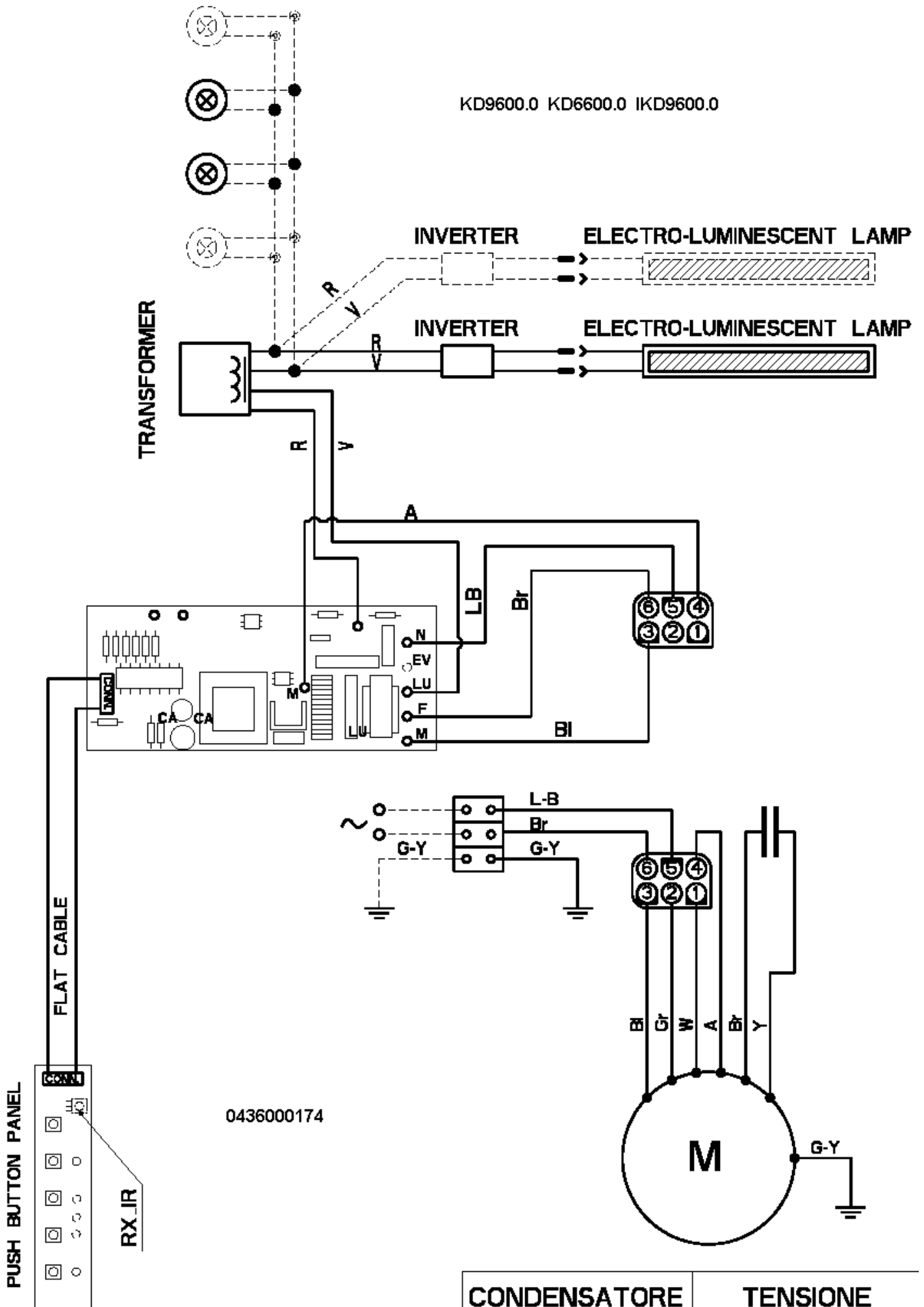


KD9600.0 KD6600.0 IKD9600.0



0436000174

CONDENSATORE	TENSIONE
10 μ F 400V	200-240V 50-60 Hz