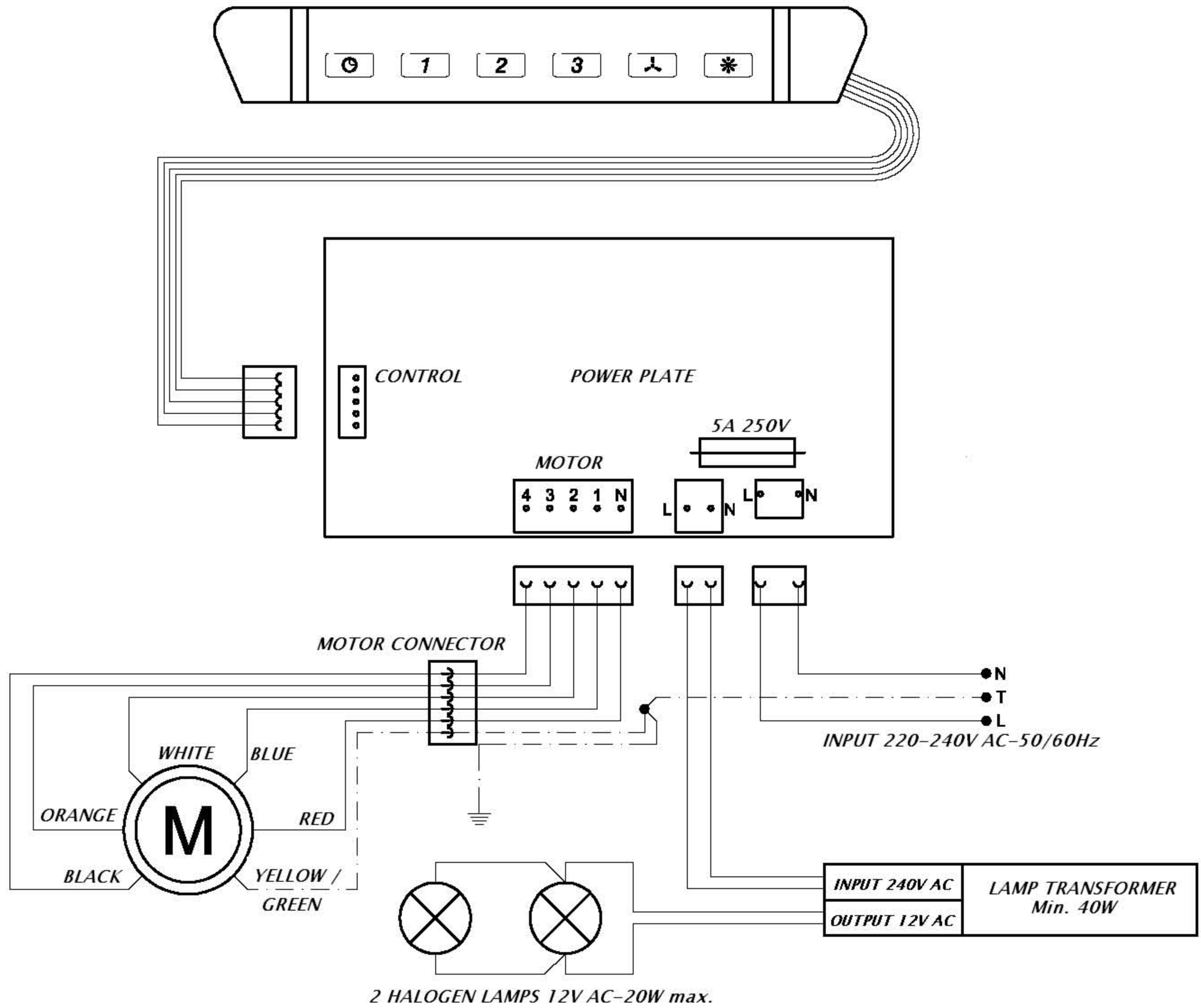
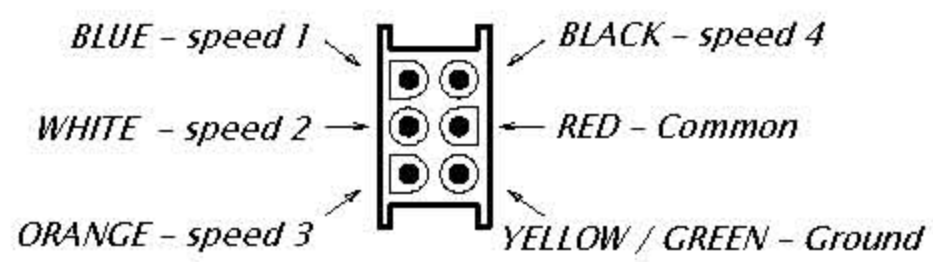


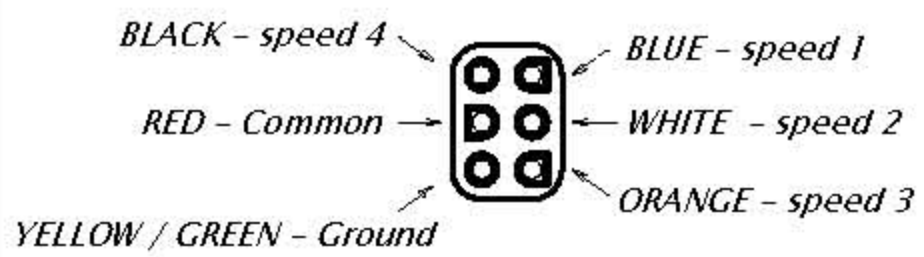
ELECTRONIC SWICH 4 SPEED



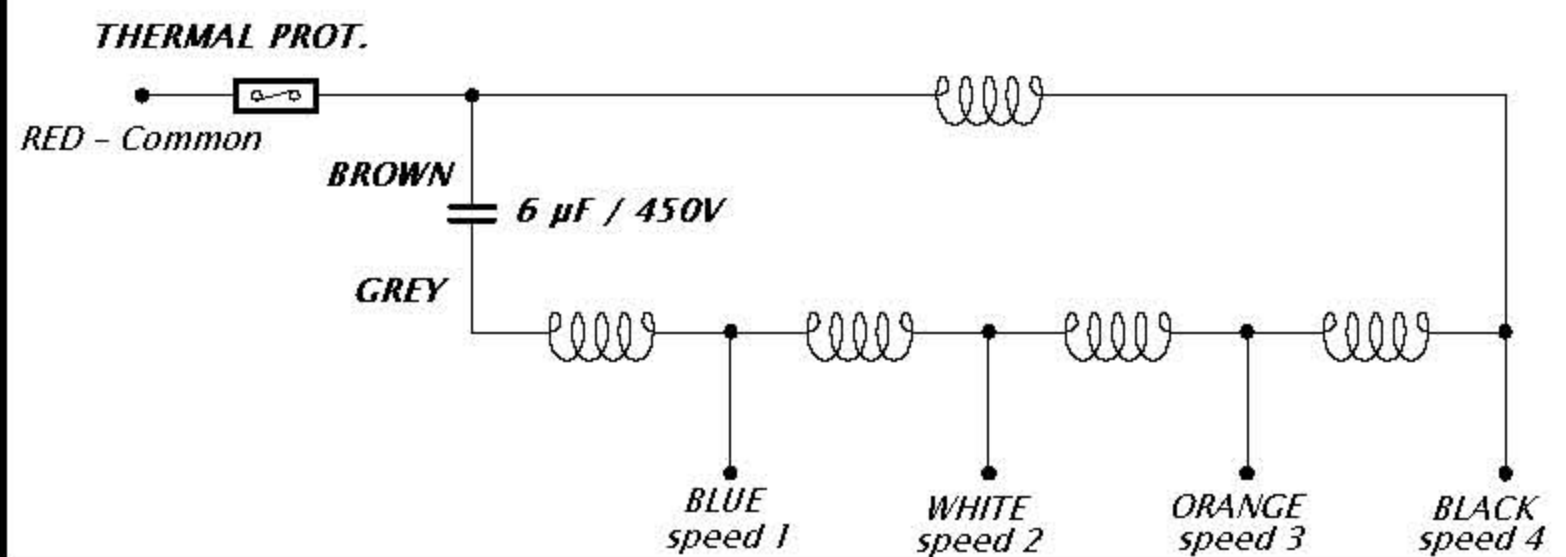
MOTOR CONNECTOR DIAGRAM



CONTROL CONNECTOR DIAGRAM



ELECTRIC MOTOR DIAGRAM



**KD 6210.0GE**