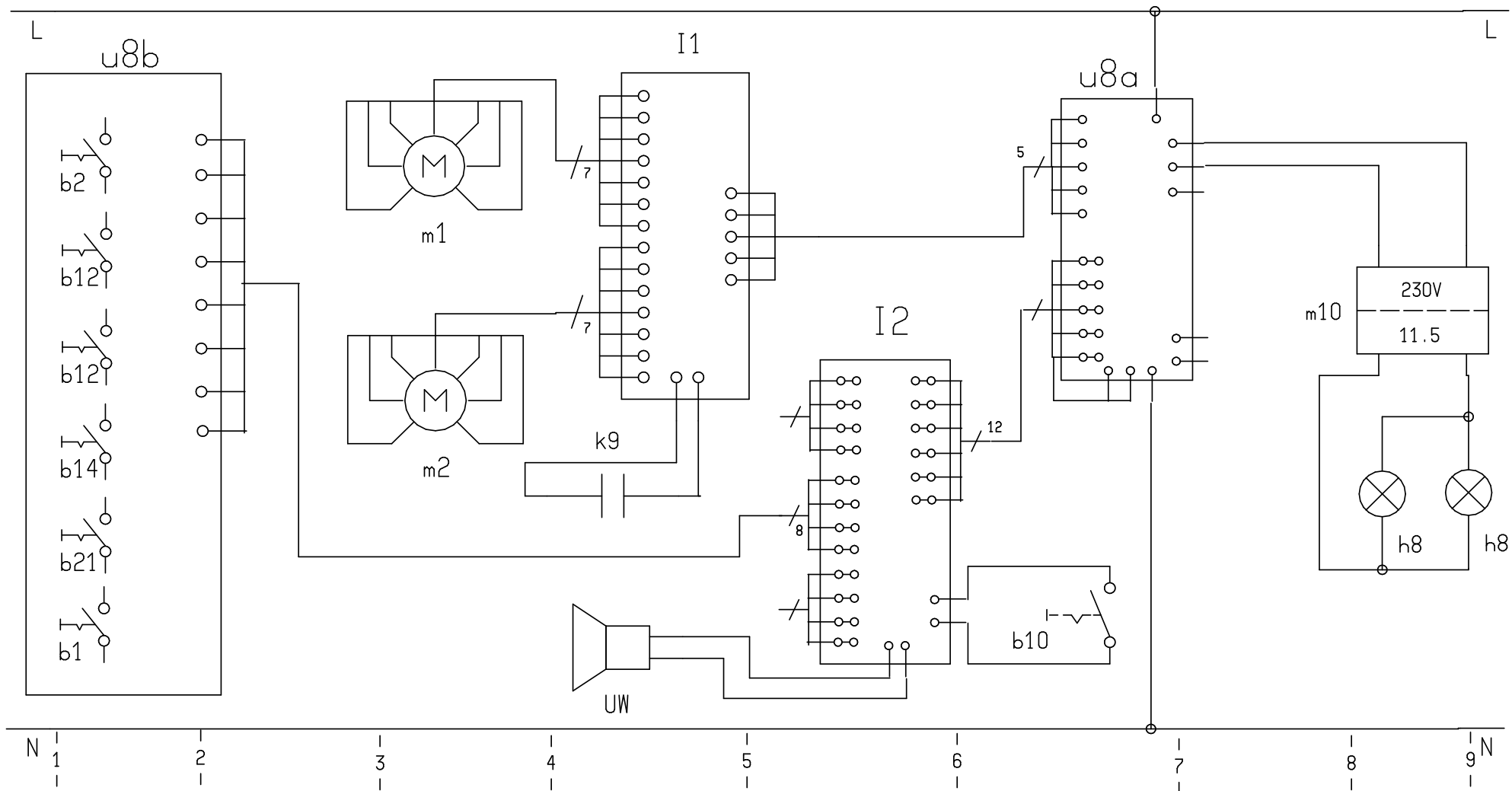


- bl- Cable-blue
- br- Cable-brown
- ge- Cable-yellow
- gr- Cable-grey
- ro- Cable-red
- sw- Cable-black
- we- Cable-white
- b10 Limit switch, closed when drawer open
- h8 Halogen lamp 20W
- I1 Support
- I2 Support
- I7 Connection terminal
- k9 Capacitor
- m1 Fan motor
- m2 Fan motor
- m10 Transformer
- u8a Speed control pc board
- u8b Control pc board
- UW Ultrasound converter



Mat.Nr. 5750 202960	Delivery
5750 2011512P01	Sheet-No.1 of 1
D4692X0	S0-30/4127D



b1	Switch lighting	1/2
b2	Switch - motor	1/2
b10	Limit switch, closed when drawer open	6/7
b12	Program step switch	1/2,1/2
b14	Automatic/manual switch	1/2
b21	Switch Interval	1/2
h8	Halogen lamp 20W	8,9
I1	Support	5
I2	Support	6
k9	Capacitor	4
m1	Fan motor	3
m2	Fan motor	3
m10	Transformer	9
u8a	Speed control pc board	7
u8b	Control pc board	1-2
UW	Ultrasound converter	4/5



Mat.Nr. 5750 202961	Delivery
5750 2011513P01	Sheet-No.1 of 1
D4692X0	S0-30/4128D