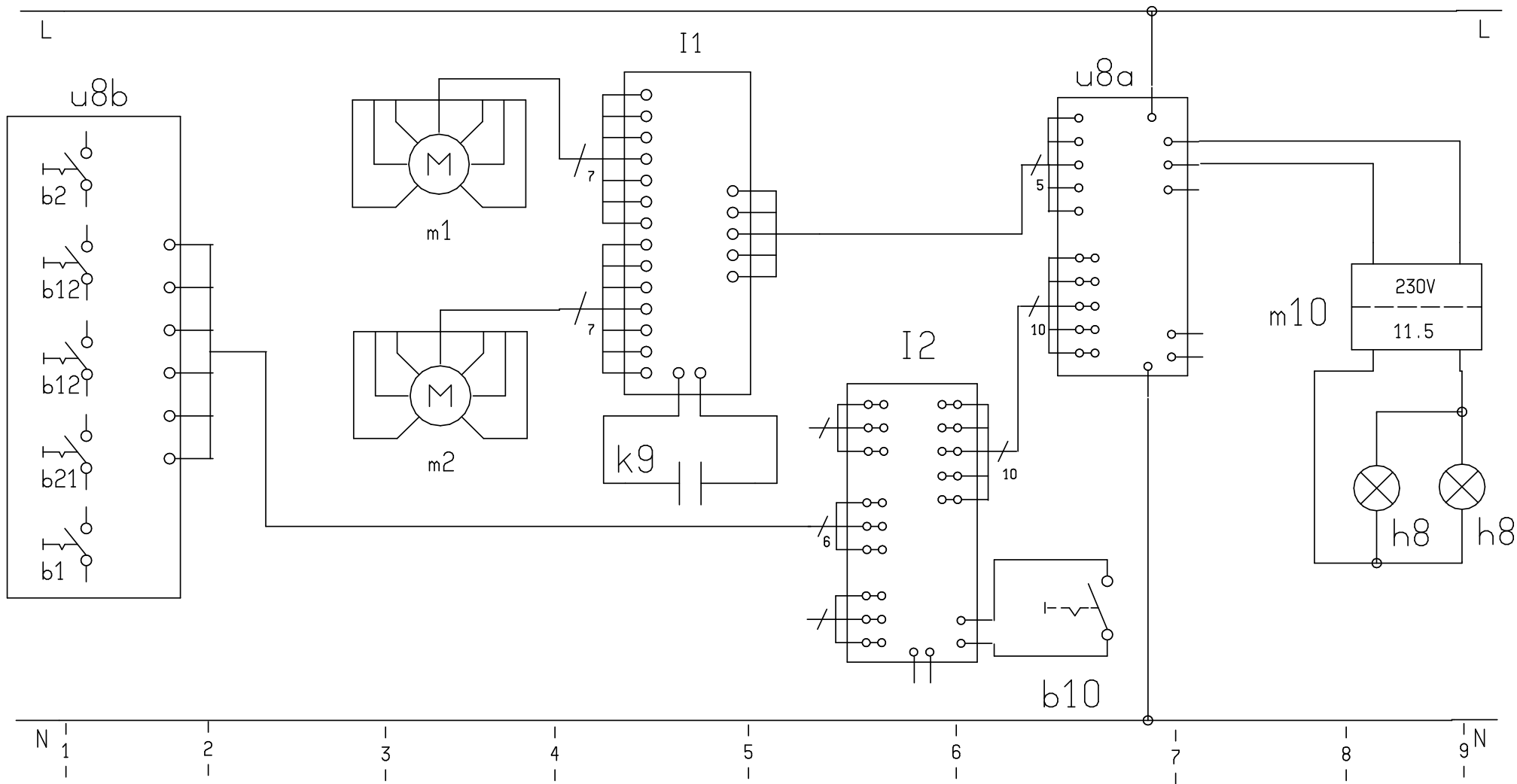


- bl- Cable-blue
- br- Cable-brown
- ge- Cable-yellow
- gr- Cable-grey
- ro- Cable-red
- sw- Cable-black
- we- Cable-white
- b10 Limit switch, closed when drawer open
- h8 Halogen lamp 20W
- I1 Support
- I2 Support
- I7 Connection terminal
- k9 Capacitor
- m1 Fan motor
- m2 Fan motor
- m10 Transformer
- u8a Speed control pc board
- u8b Control pc board



Mat.Nr. 5750 202958	Delivery
5750 2011510P01	Sheet-No.1 of 1
D4682X0	S0-30/4129D



b1	Switch lighting	1
b2	Switch - motor	1
b10	Limit switch, closed when drawer open	6/7
b12	Program step switch	1,1
b21	Switch Interval	1
h8	Halogen lamp 20W	8,9
I1	Support	5
I2	Support	5
k9	Capacitor	5
m1	Fan motor	5
m2	Fan motor	5
m10	Transformer	5
u8a	Speed control pc board	5
u8b	Control pc board	1-2



Mat.Nr. 5750 202959	Delivery
5750 2011511P01	Sheet-No.1 of 1
D4682X0	S0-30/4130D