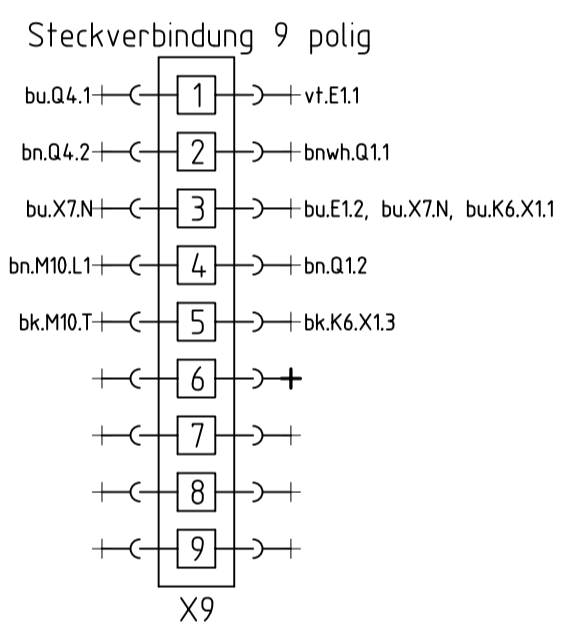
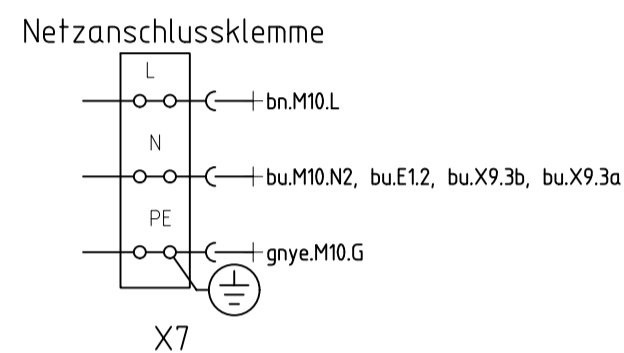
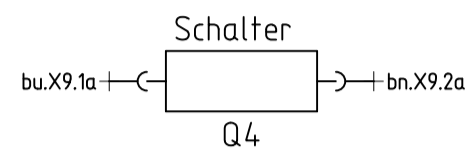
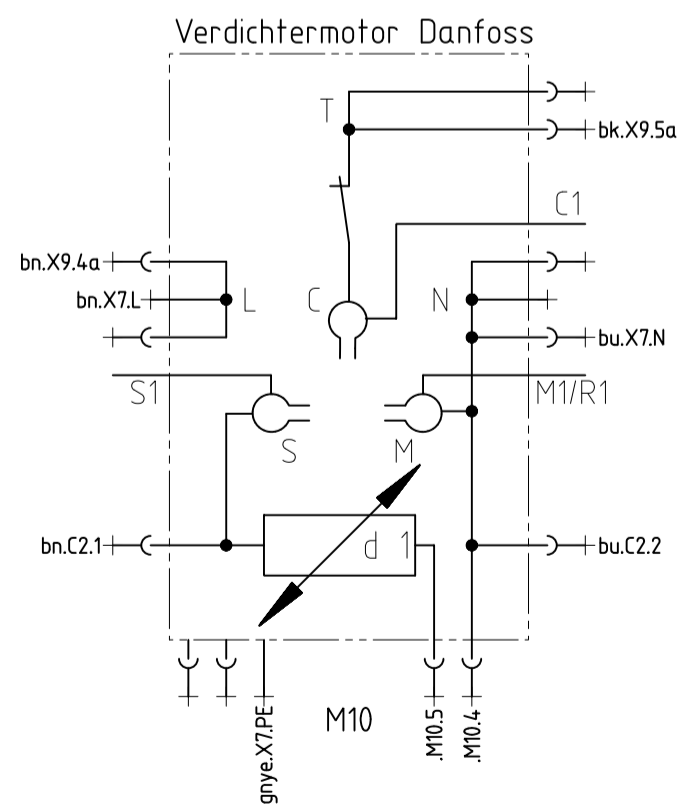
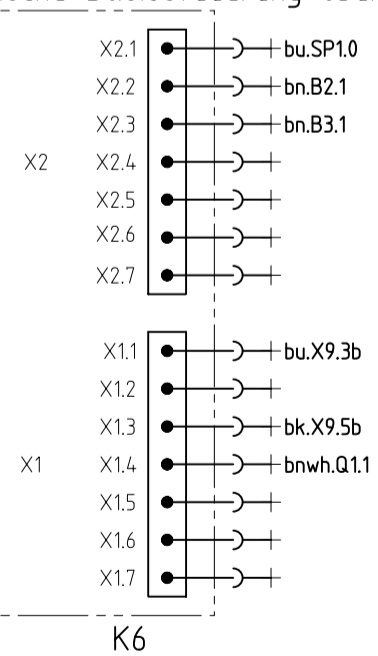
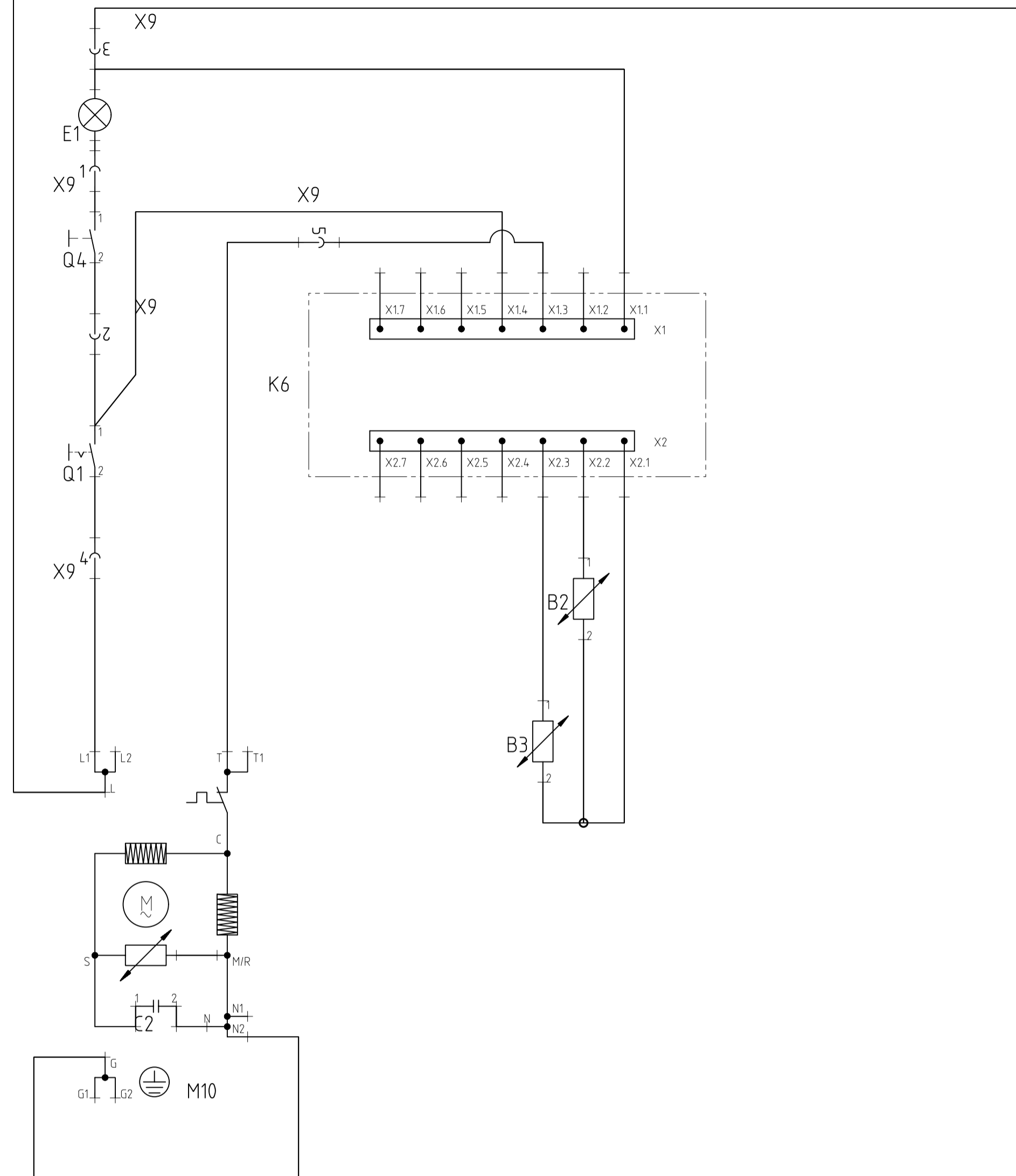


bu.B2.2, bu.K6.X2.1, bu.B3.2
SP1



Elektronische Basissteuerung oben





Na
Pg
1 2 3 4 5 6 7 8 9 10 11 12 13 14 15 16 17 18 19 20 21 22 23 24 25 26 27 28 29 30 31 32 33 34 35 36 37 38 39 40 41 42 43 44 45 46 47 48 49 50 51 52 53 54 55

REF	Bauteile	Strompfad
B2	Temperaturfühler Luft	34
B3	Temperaturfühler Luft	33
C2	Kondensator	23,24
E1	Lampe	22
K6	Elektronische Basissteuerung oben	29-35
M10	Verdichtermotor Danfoss	22-26
Q1	Hauptschalter	22
Q4	Schalter	22
SP1		34
X7	Netzanschlussklemme	1
X9	Steckverbindung 9 polig	22,27,28

The reproduction, transmission or use of this document or its contents is not permitted without express written authority. Offenders will be liable for damages. All rights including rights created by patent grant or registration of a utility model or design are reserved. Copyright reserved.