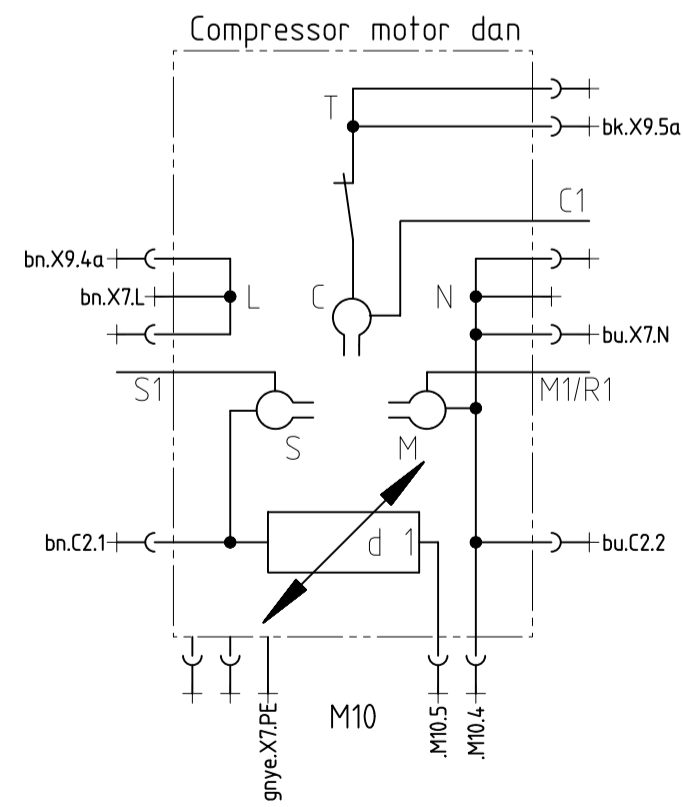
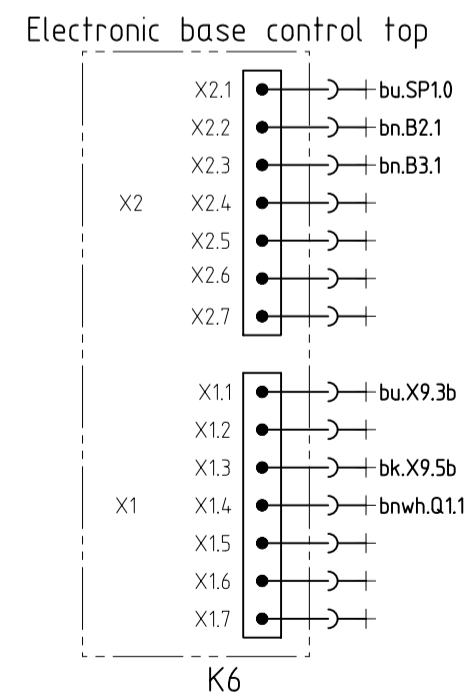
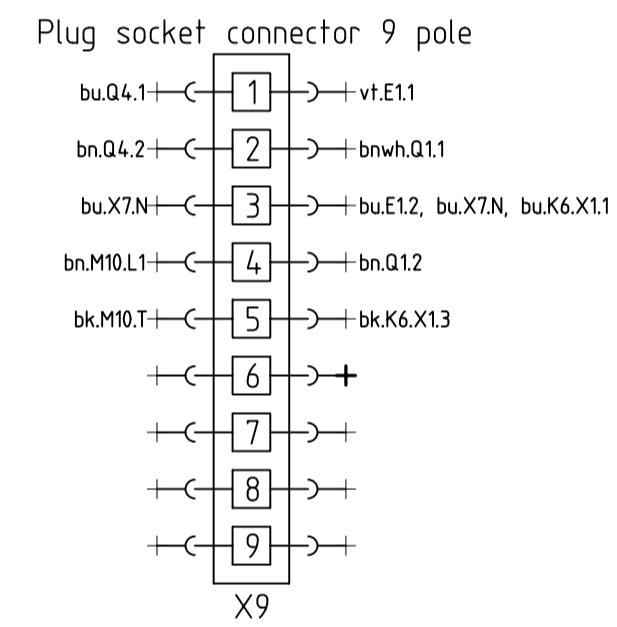
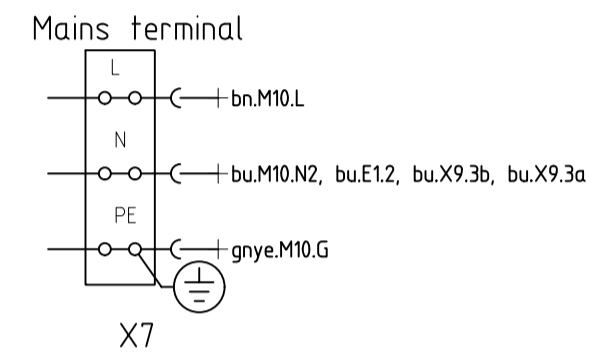
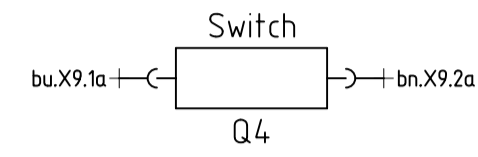
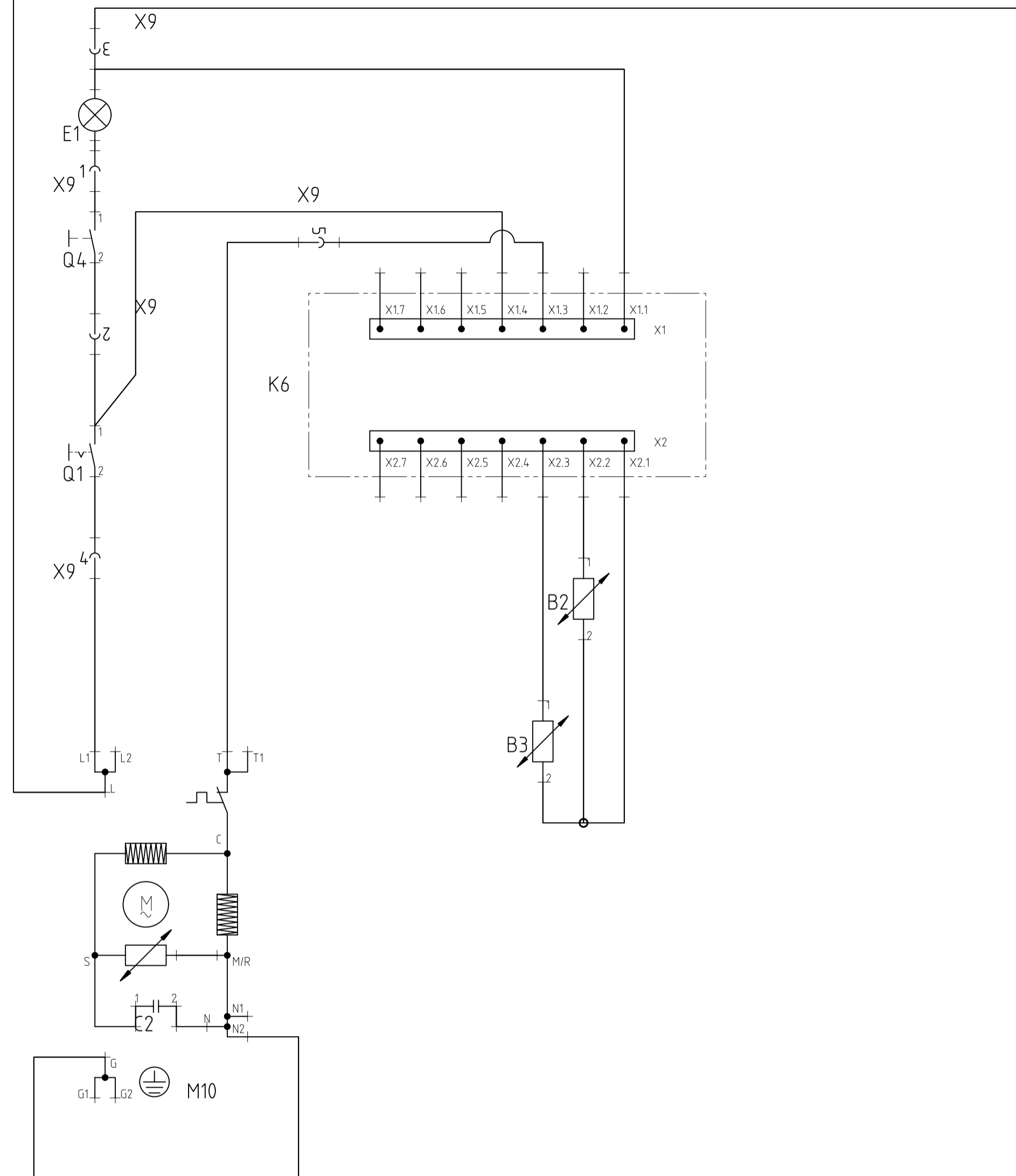


bu.B2.2, bu.K6.X2.1, bu.B3.2
SP1





1 2 3 4 5 6 7 8 9 10 11 12 13 14 15 16 17 18 19 20 21 22 23 24 25 26 27 28 29 30 31 32 33 34 35 36 37 38 39 40 41 42 43 44 45 46 47 48 49 50 51 52 53 54 55

REF	Components	Path
B2	Air temperature sensor	34
B3	Air temperature sensor	33
C2	Capacitor	23,24
E1	Lamp	22
K6	Electronic base control top	29-35
M10	Compressor motor dan	22-26
Q1	Main switch	22
Q4	Switch	22
SP1		34
X7	Mains terminal	1
X9	Plug socket connector 9 pole	22,27,28