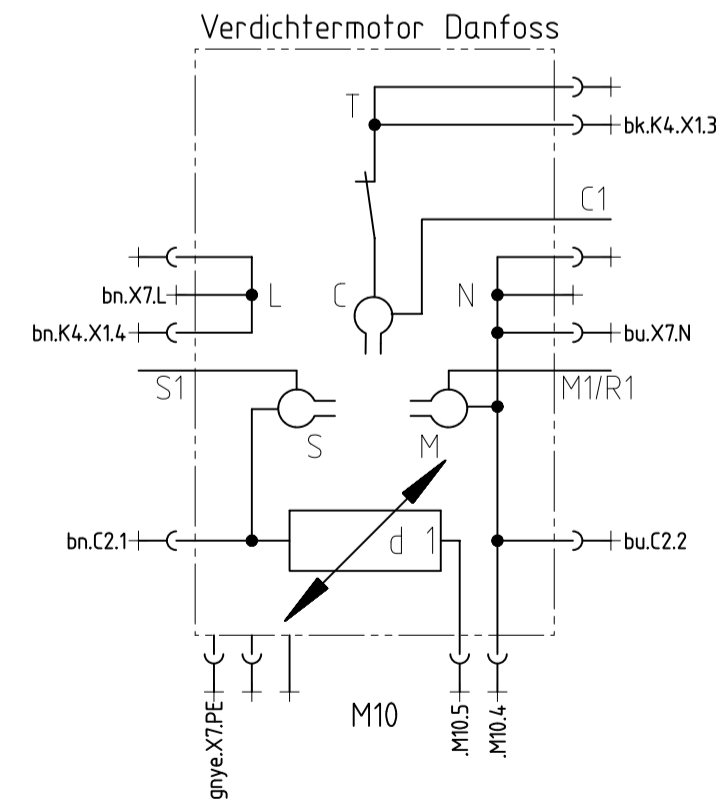
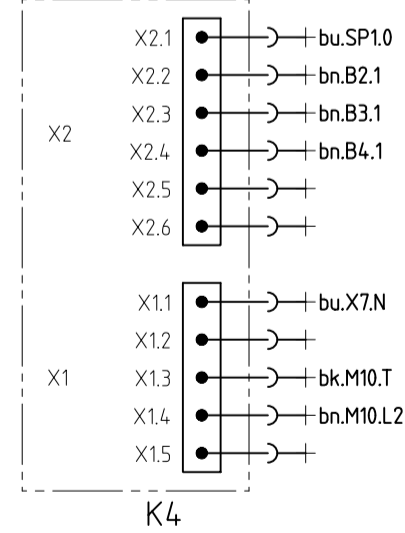
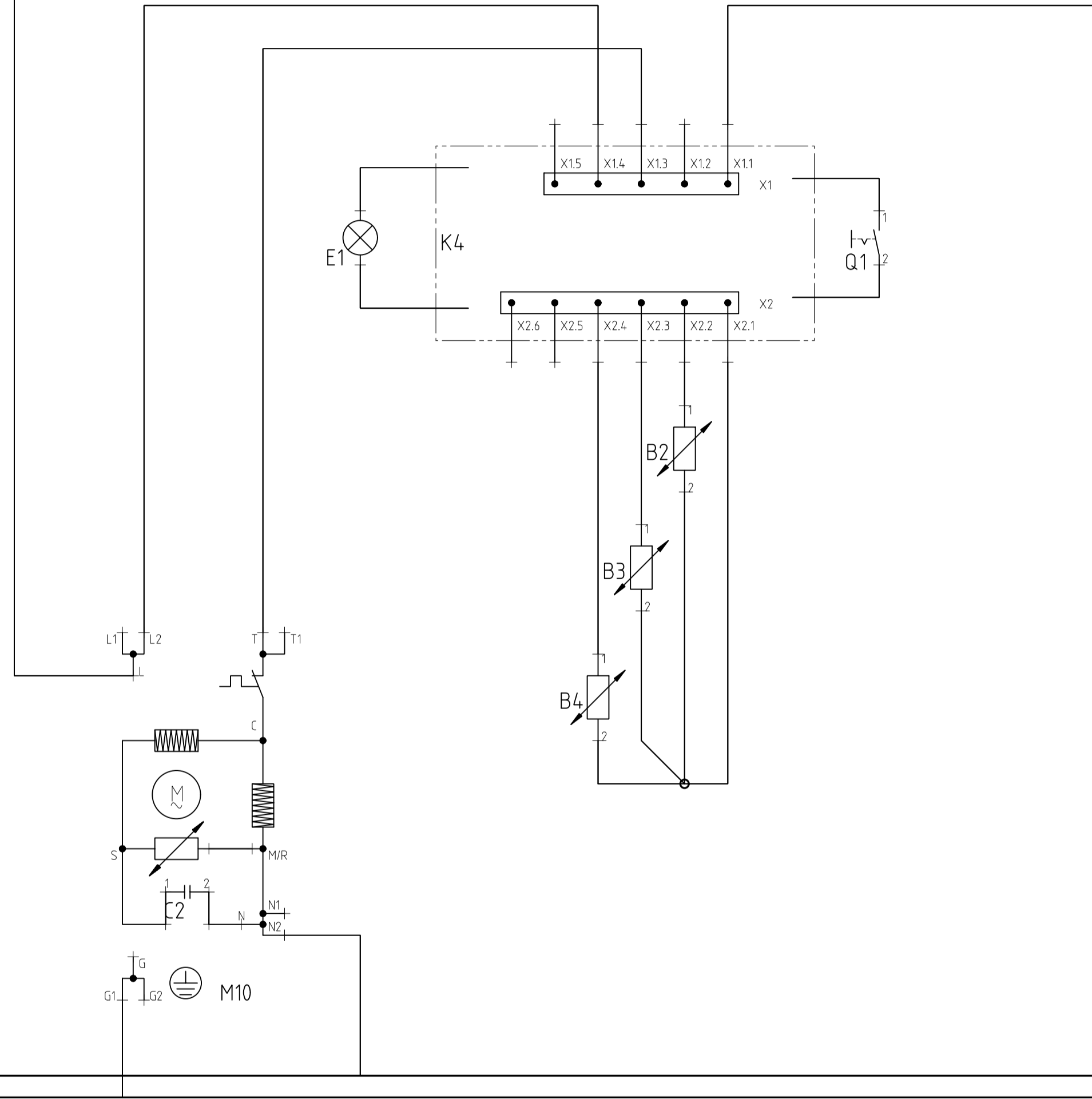


Elektronische Basissteuerung RLK





1 2 3 4 5 6 7 8 9 10 11 12 13 14 15 16 17 18 19 20 21 22 23 24 25 26 27 28 29 30 31 32 33 34 35 36 37 38 39 40 41 42 43 44 45 46 47 48 49 50 51 52 53 54 55

REF	Bauteile	Strompfad
B2	Temperaturfühler Luft	36
B3	Temperaturfühler Luft	35
B4	Temperaturfühler Luft	34
E1	Lampe	28
K4	Elektronische Basissteuerung RLK	32-37
M10	Verdichtermotor Danfoss	23-26
Q1	Hauptschalter	40
SP1		36
X7	Netzanschlussklemme	1

The reproduction, transmission or use of this document or its contents is not permitted without express written authority. Offenders will be liable for damages. All rights including rights created by patent grant or registration of a utility model or design are reserved. Copyright reserved.