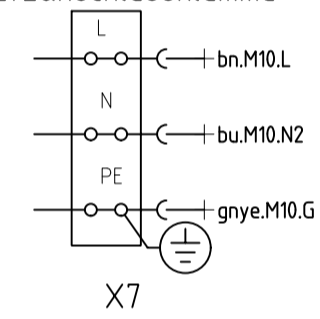
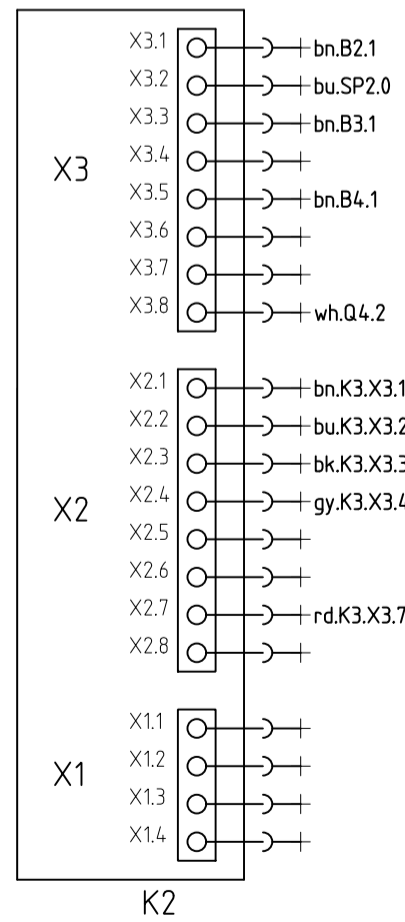


bu.B2.2, bu.B4.2, bu.K2.X3.2, bu.B3.2
SP2

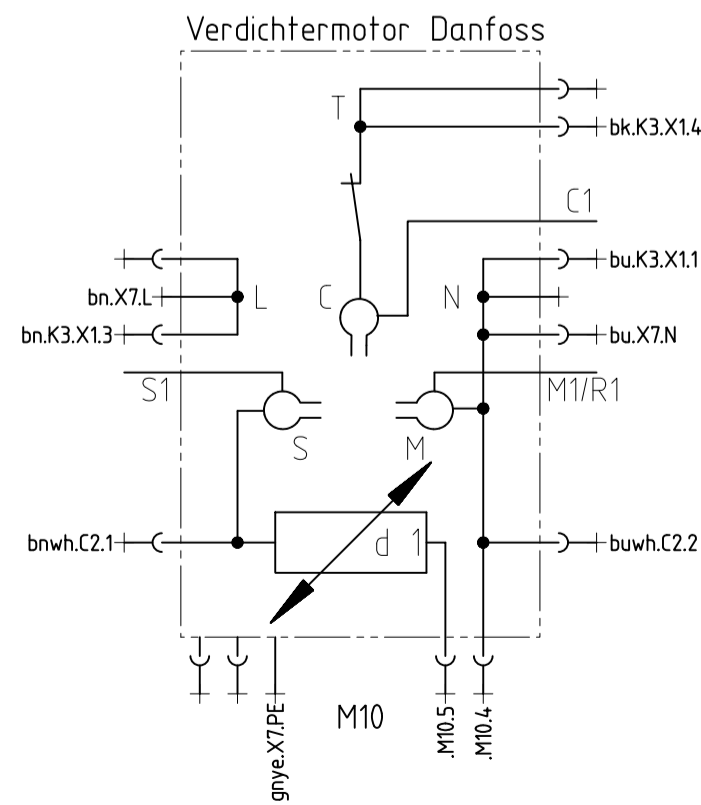
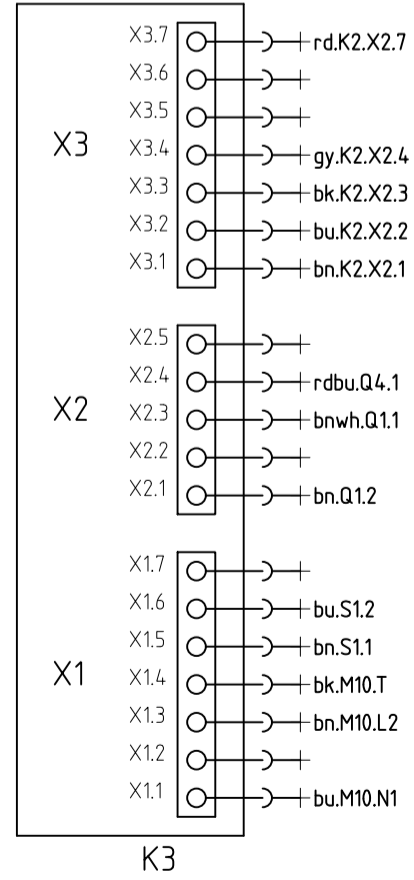
Netzanschlussklemme



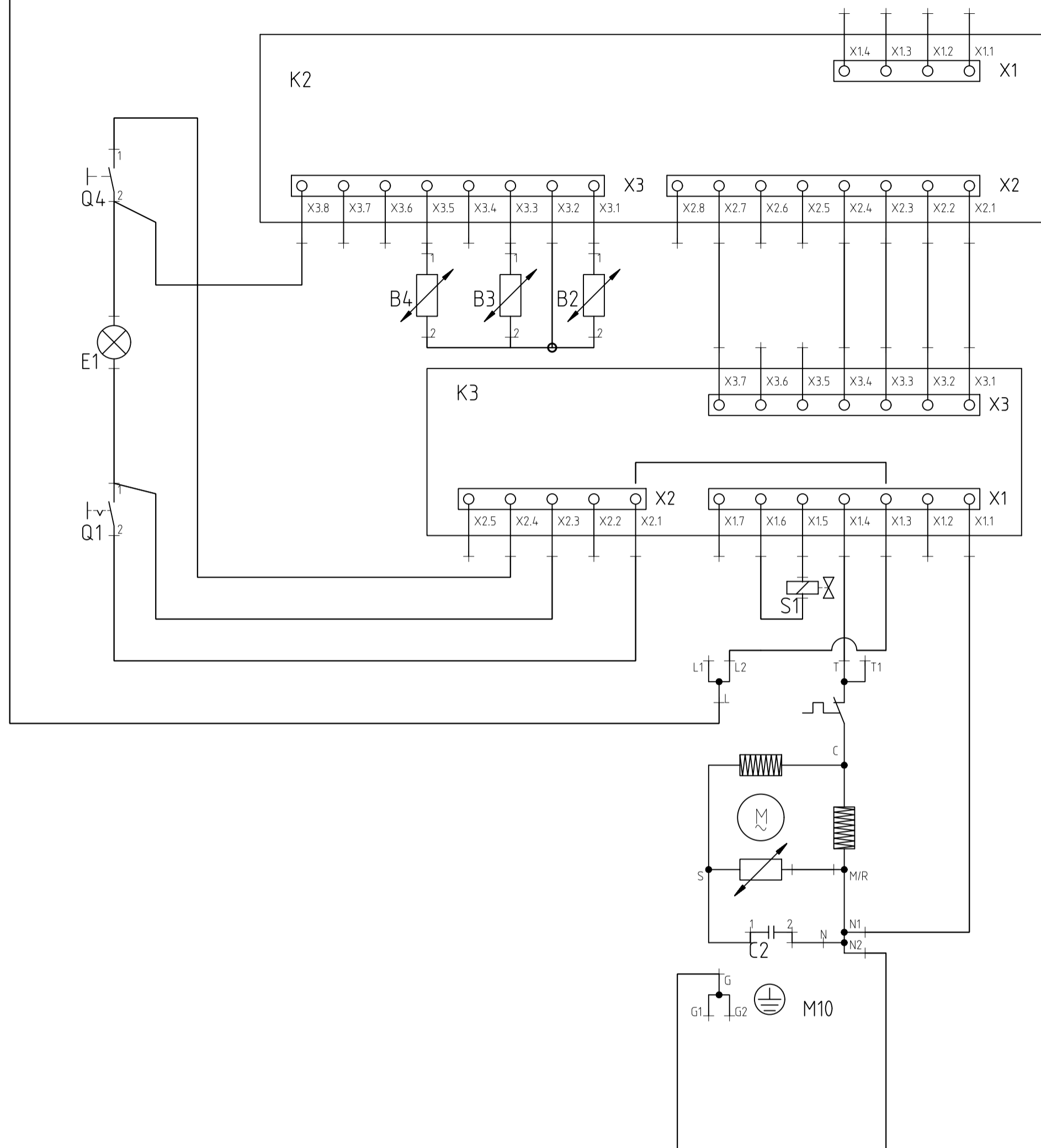
Elektronikmodul Verdichter



Netzteil Verdichter



The reproduction, transmission or use of this document or its contents is not permitted without express written authority. Offenders will be liable for damages. All rights including rights created by patent grant or registration of a utility model or design are reserved. Copyright reserved.



REF	Bauteile	Strompfad
B2	Temperaturfühler Luft	25
B3	Temperaturfühler Luft	23
B4	Temperaturfühler Luft	21
E1	Lampe	14
K2	Elektronikmodul Verdichter	18-25,27-34
K3	Netzteil Verdichter	22-26,28-34
M10	Verdichtermotor Danfoss	28-32
Q1	Hauptschalter	14
Q4	Schalter	14
S1	Magnetventil 3Wege	30
SP2		24
X7	Netzanschlussklemme	1

The reproduction, transmission or use of this document or its contents is not permitted without express written authority. Offenders will be liable for damages. All rights including rights created by patent grant or registration of a utility model or design are reserved. Copyright reserved.