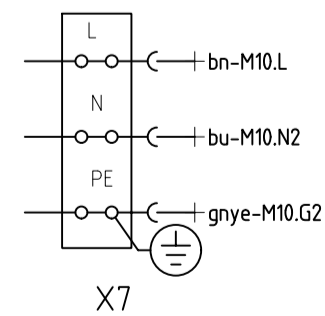
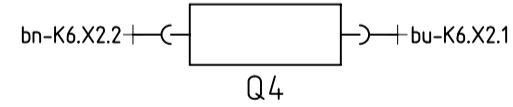
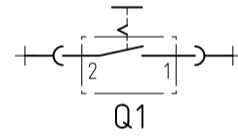
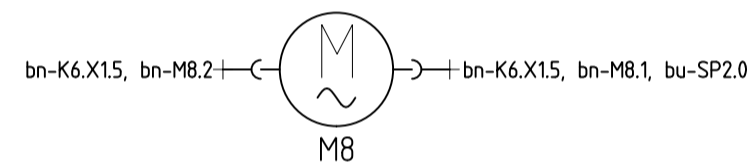


bu-B2.2, bu-K6.X2.3, bu-B3.2, bu-B1.2 ○
SP1

bu-M8.2, bu-K6.X1.1, bu-M10.N1 ○
SP2

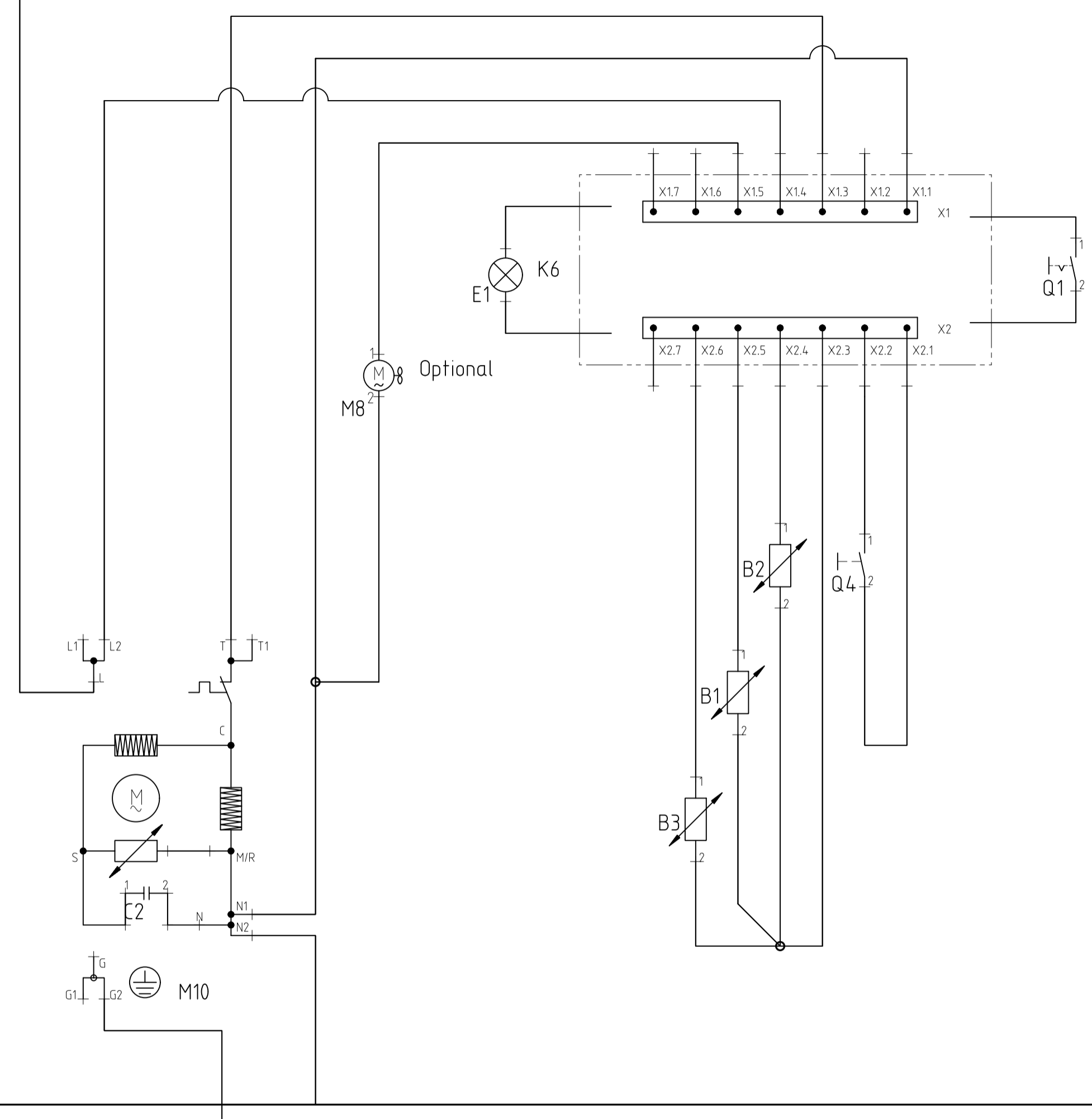
Optional



The reproduction, transmission or use of this document or its contents is not permitted without express written authority. Offenders will be liable for damages. All rights including rights created by patent grant or registration of a utility model or design are reserved. Copyright reserved.

Designation	LCS	Document No.	Rev	Sheet-No.
Connection diagram KIV RLK9	EL	5700 0000073852	A	1
		Material No. 9000198074		of 1

Lg
X7



Ng
Pg

1 2 3 4 5 6 7 8 9 10 11 12 13 14 15 16 17 18 19 20 21 22 23 24 25 26 27 28 29 30 31 32 33 34 35 36 37 38 39 40 41 42 43 44 45 46 47 48 49 50 51 52 53 54 55

REF	Components	Path
B1	Evaporator sensor	41
B2	Air temperature sensor	42
B3	Ambient temperature sensor	40
C2	Capacitor	27-28
E1	Lamp	36
K6	Electronic base control top	39-45
M8	Circulating air motor	33
M10	Compressor motor dan	26-29
Q1	Main switch	49
Q4	Switch	44
SP1		42
SP2		31
X7	Mains terminal	1

The reproduction, transmission or use of this document or its contents is not permitted without express written authority. Offenders will be liable for damages. All rights including rights created by patent grant or registration of a utility model or design are reserved. Copyright reserved.