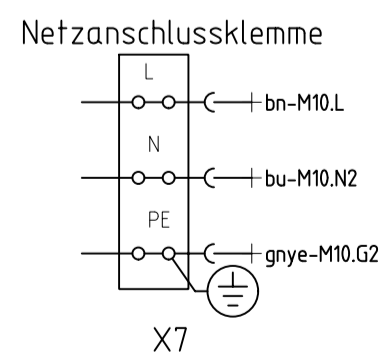
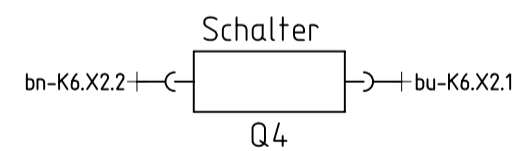
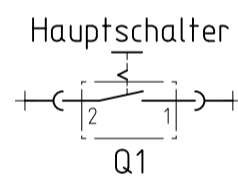
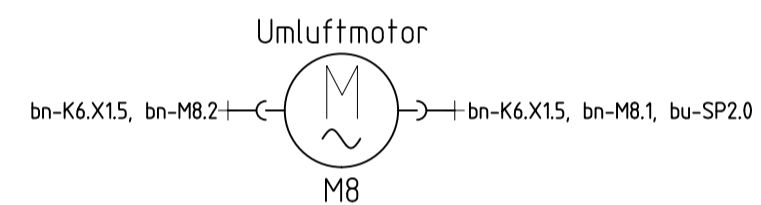


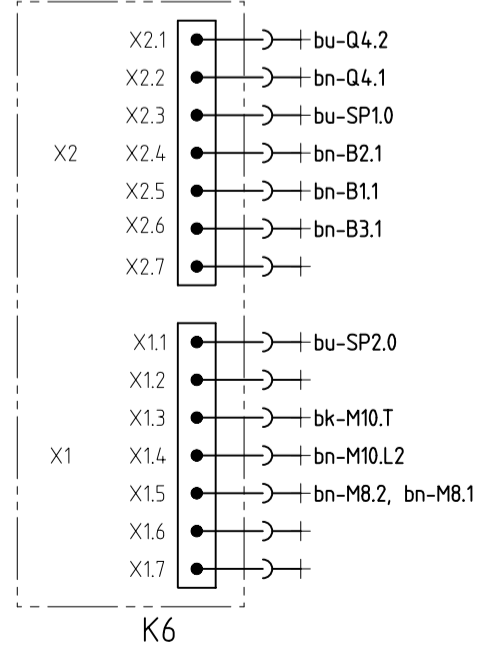
bu-B2.2, bu-K6.X2.3, bu-B3.2, bu-B1.2  
SP1

bu-M8.2, bu-K6.X1.1, bu-M10.N1  
SP2

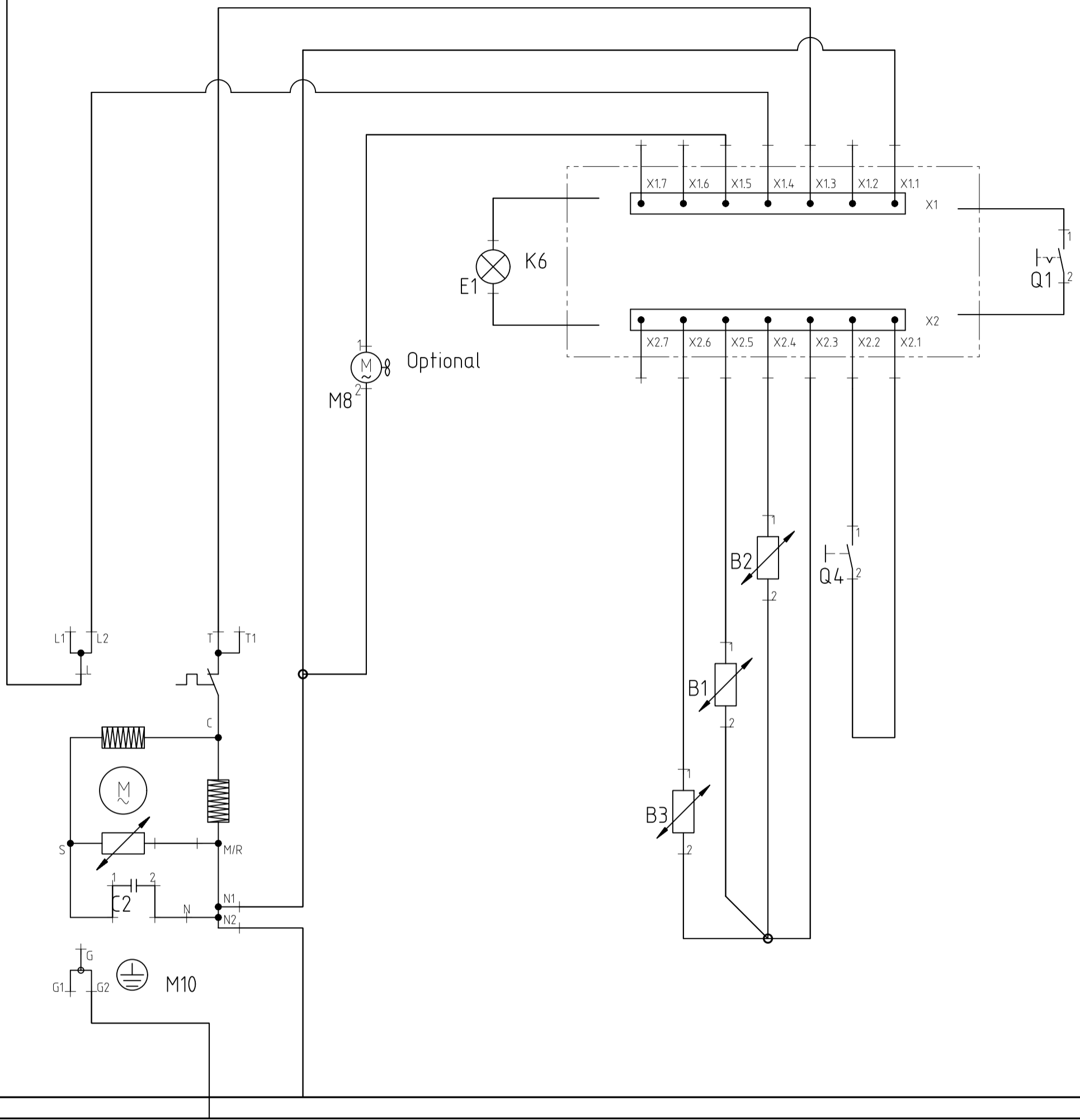
Optional



Elektronische Basissteuerung oben



Lg  
X7



Ng  
Pg

1 2 3 4 5 6 7 8 9 10 11 12 13 14 15 16 17 18 19 20 21 22 23 24 25 26 27 28 29 30 31 32 33 34 35 36 37 38 39 40 41 42 43 44 45 46 47 48 49 50 51 52 53 54 55

REF	Bauteile	Pfad
B1	Verdampferfühler	41
B2	Temperaturf	42
B3	Temperaturfühler Umgebung	40
C2	Kondensator	27-28
E1	Lampe	36
K6	Elektronische Basissteuerung oben	39-45
M8	Umluftmotor	33
M10	Verdichtermotor Danfoss	26-29
Q1	Hauptschalter	49
Q4	Schalter	44
SP1		42
SP2		31
X7	Netzanschlussklemme	1

The reproduction, transmission or use of this document or its contents is not permitted without express written authority. Offenders will be liable for damages. All rights including rights created by patent grant or registration of a utility model or design are reserved. Copyright reserved.