

current path

- a 1 = main switch
- d 1 = PTC resistor
- e 1 = protection switch
- e 2 = switch "lamp"
- f 1 = control electronic
- f 2 = mains supply unit
- h 1 = lamp
- k 1 = motor operating capacitor
- l 1 = connecting piece
- l 2 = housing
- l 3 = socket housing
- l 4 = socket housing
- l 5 = socket housing
- l 6 = socket housing
- l 7 = socket housing
- l 8 = flat connector housing
- l 9 = timer housing

current path

- 4 m 1 = compressor motor
- 6 m 2 = fan motor
- 7 r 1 = air temperature sensor (5°C-compartment) KS-fold
- 1 r 2 = air temperature sensor (0°C-compartment) FK-fold
- 3 r 3 = temperature sensor of evaporator (-18°C-compartment) GS-fold
- 6 s 1 = 3-way valve
- s 2 = 3-way valve

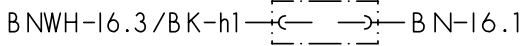
current path

- 6
- 2
- 9
- 8
- 7
- 8
- 10

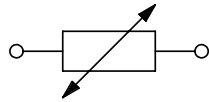


9000036057	07 / 04

a1 main switch



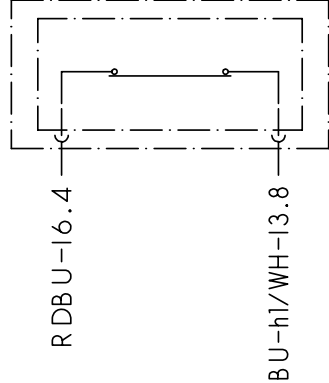
d1 PTC resistor



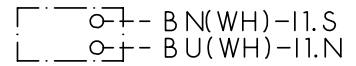
e1 protection switch



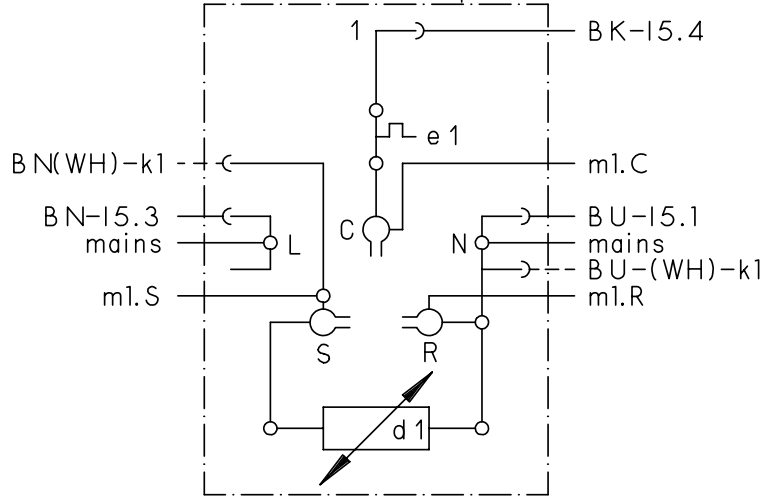
e2 switch "lamp"



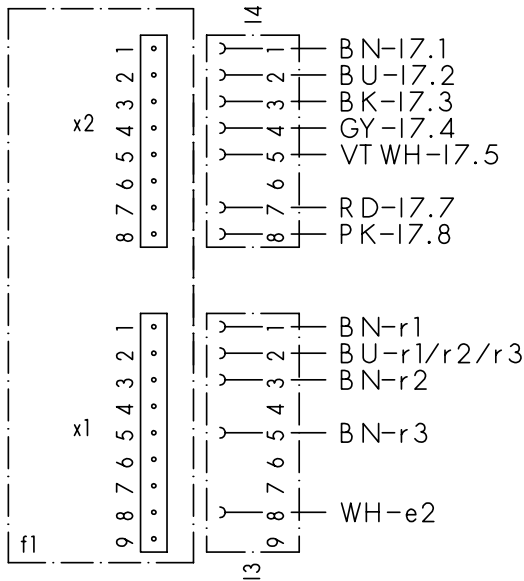
k1 motor operating capacitor



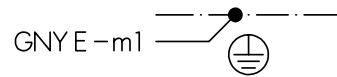
l1 connecting piece (Aspera)



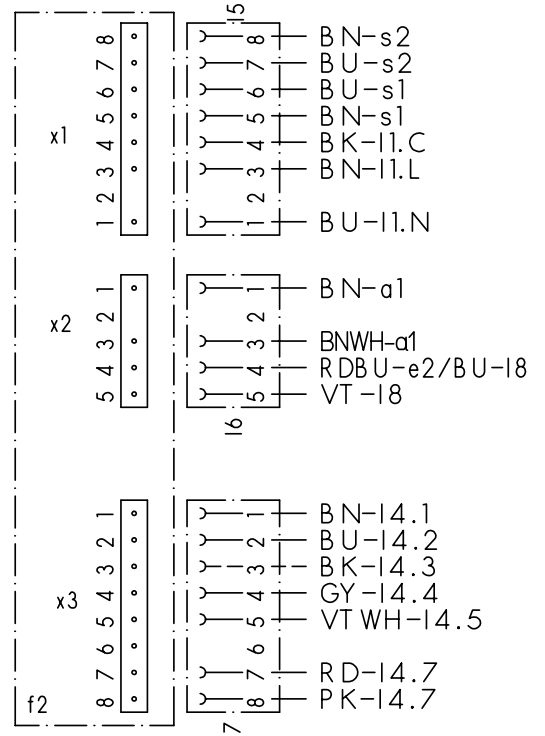
f1 control electronic + 13 socket housing + 14 socket housing



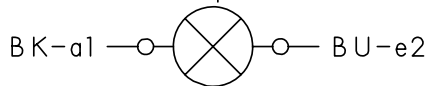
l2 housing



f2 mains supply unit + 15 socket housing + 16 socket housing + 17 socket housing



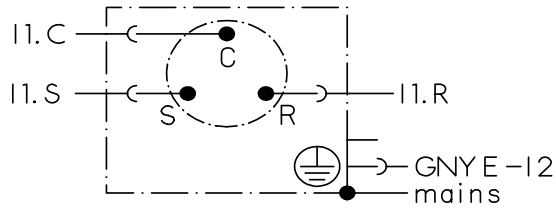
h1 lamp



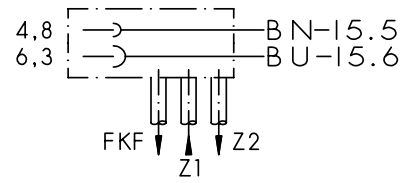
GB

9000036057	07 / 04

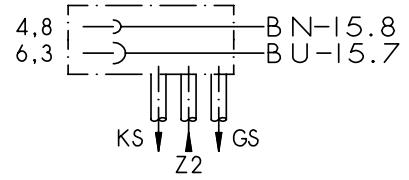
m1 compressor motor



s1 3-way valve

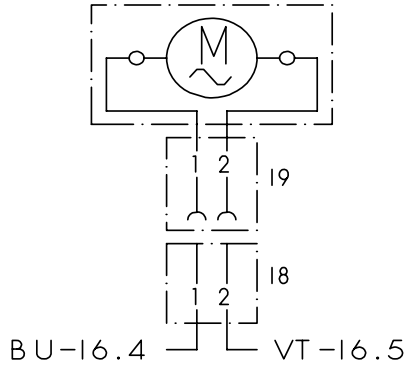


s2 3-way valve

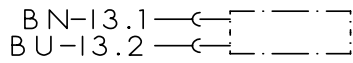


m2 fan motor

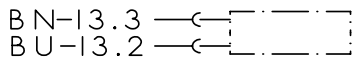
+ 18 flat connector housing  
+ 19 timer housing



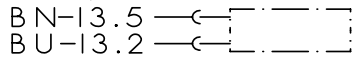
r1 air-temperature-sensor  
(5°C-compartment) KS-fold



r2 air-temperature sensor  
(0°C-compartment) FK-fold



r3 air-temperature sensor  
of evaporator  
(-18°C-compartment) GS-fold



GB

9000036057	07 / 04