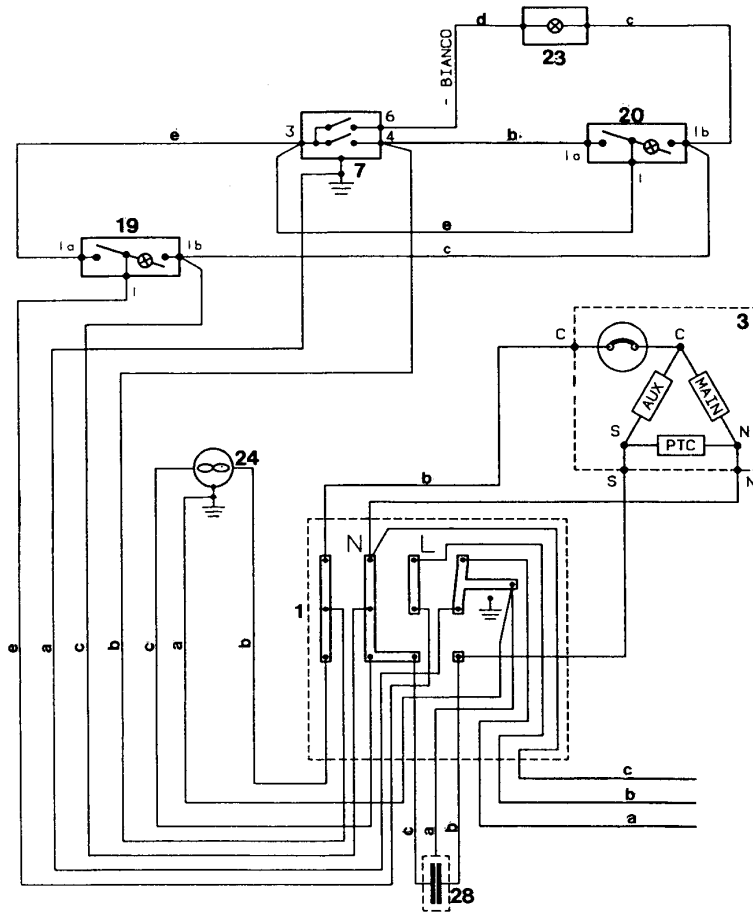


Responsible: K.H.Hiby

Telephone: (0209) 401732

Date: 27.01.1997

No.4



- 1 Terminal board
- 3 Deep-freezer condenser
- 7 Deep-freezer thermostat
- 19 ON/OFF switch
- 20 Fast-freeze switch
- 23 Alarm signal lamp
- 24 Fan
- 28 Capacitor

- a yellow-green
- b brown
- c blue
- d white
- e black

