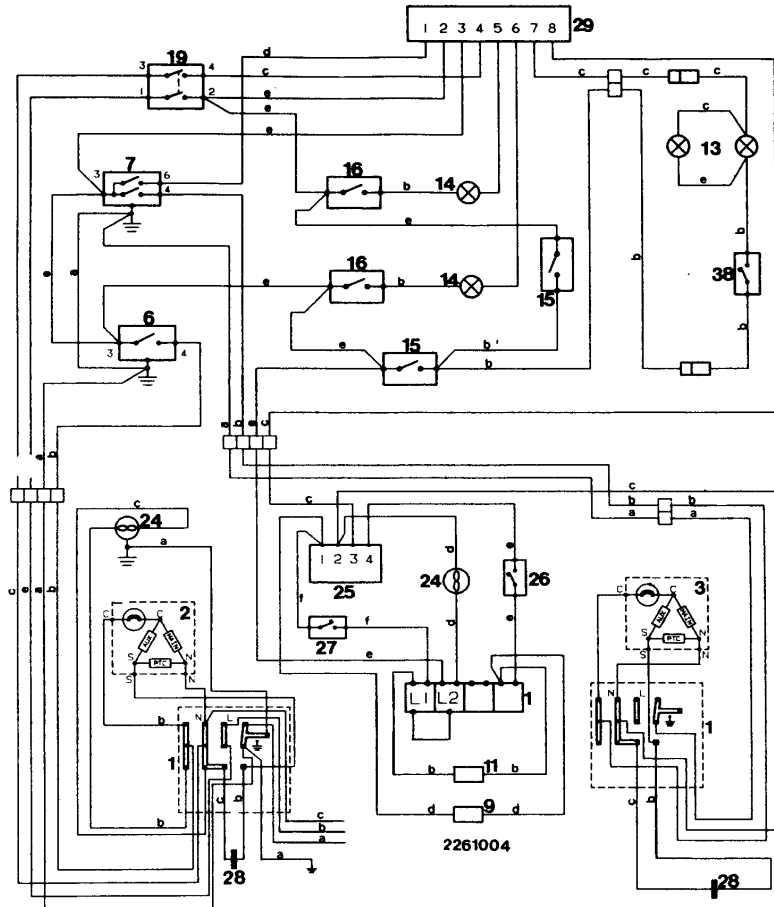


Responsible: K.H.Hiby

Telephone: (0209) 401732

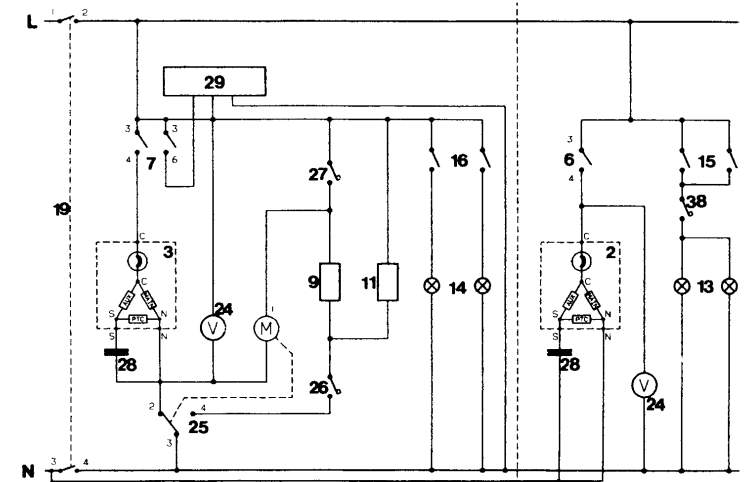
Date: 27.01.1997

No.10



- 1 Terminal board
- 2 Refrigerator condenser
- 3 Deep-freezer condenser
- 6 Refrigerator thermostat
- 7 Deep-freezer thermostat
- 9 Defrost drainage channel heating resistor
- 11 Heating resistance of water gutter
- 13 Refrigerator light
- 14 Deep-freezer light
- 15 Refrigerator door switch
- 16 Deep-freezer door switch
- 19 ON/OFF switch
- 24 Fan
- 25 Timer switch
- 26 Safety thermo switch
- 27 Defrost thermo switch
- 28 Capacitor
- 29 Electronic thermometer
- 38 Safety micro switch

- a yellow-green
- b brown
- c blue
- d white
- e black
- f grey
- g red



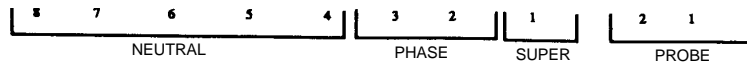
Responsible: K.H.Hiby

Telephone: (0209) 401732

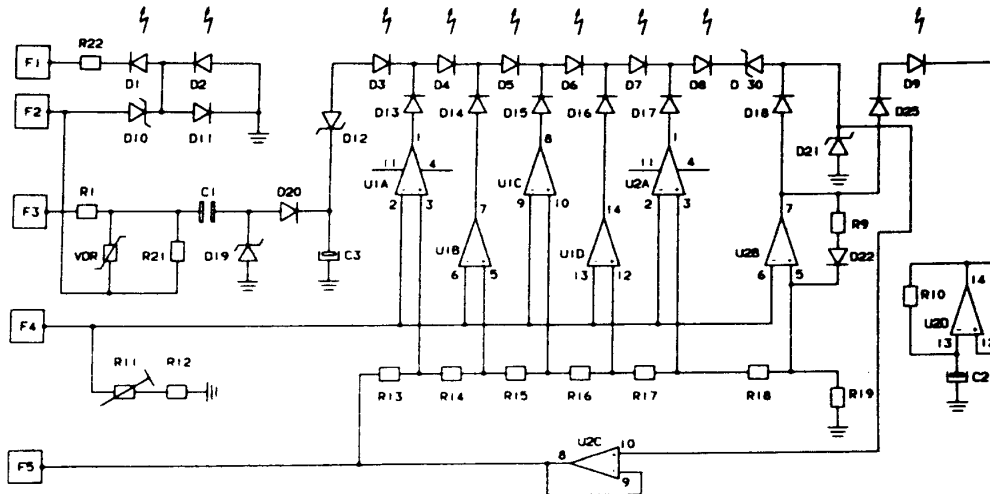
Date: 27.01.1997

No.10

Input contacts of printed circuit board



Electronic thermometer (printed circuit board) 16 mm FR2 VO



F1- Input fast freeze - YELLOW LED (contact no. 1 on printed circuit board)

F2- Phase voltage (contact no. 2 on printed circuit board)

F3- Neutral voltage (contacts no. 4 - 8 on printed circuit board)

F4- PS Probe (contacts no. 1 - 2 on printed circuit board)

COMPONENTS

R10	SAFETY FUSE HEATING RESISTOR	100R 2W
R9-10	HEATING RESISTOR	220K 1/4 5%
R22	HEATING RESISTOR OXYD	1K 1W 5%
R11	TRIMMING RESISTOR	100R PT 10
R12	HEATING RESISTOR	1K33 1/2 1%
R13	HEATING RESISTOR	2K05 1/2 1%
R14	HEATING RESISTOR	20R 1/2 1%
R15-16-17	HEATING RESISTOR	27R 1/2 1%
R18	HEATING RESISTOR	15R 1/2 1%
R19	HEATING RESISTOR	1K96 1/2 1%
R21	HEATING RESISTOR	470K 1/4 5%
VDR	VARISTOR	275V
C1	POLYESTER CAPACITOR	470nF 400V
C2	ELECTROLYTIC CAPACITOR	1mcF 25V
C3	ELECTROLYTIC CAPACITOR	47 mcF 25V
D1	LED	GIALLO
D2	LED (wire)	VERDE
D3-4-5-6-7-8	LED (temperature)	GR
D9	LED (alarm)	ROSSO
D10	ZENER DIODE	C4V3 1/2W
D11-20	DIODE	IN 4007
D12-21-30	ZENER DIODE	C3V3 1/2W
D13-14-15-16-17-18-22-25	DIODE	IN 4148
D19	ZENER DIODE	C24V0 1/2W
IC1-IC2	INTEGRATED CIRCUIT	LM 324