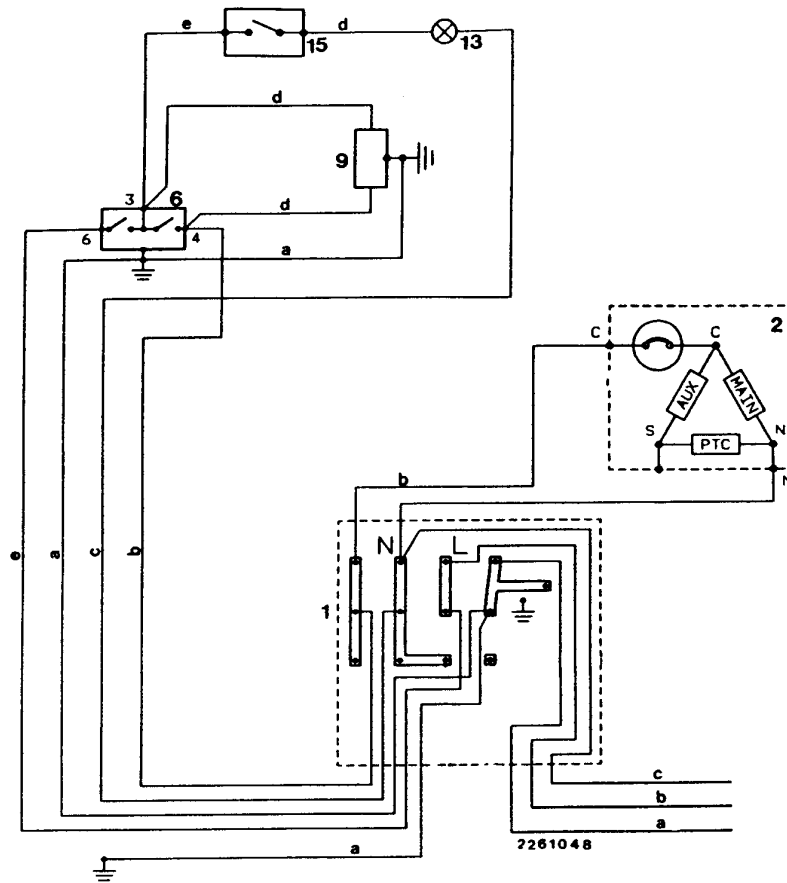


Responsible: K.H.Hiby

Telephone: (0209) 401732

Date: 27.01.1997

No.13



- 1 Terminal board
- 2 Refrigerator condenser
- 6 Refrigerator thermostat
- 9 Defrost resistor
- 13 Refrigerator light
- 15 Refrigerator door switch

- a yellow-green
- b brown
- c blue
- d white
- e black

