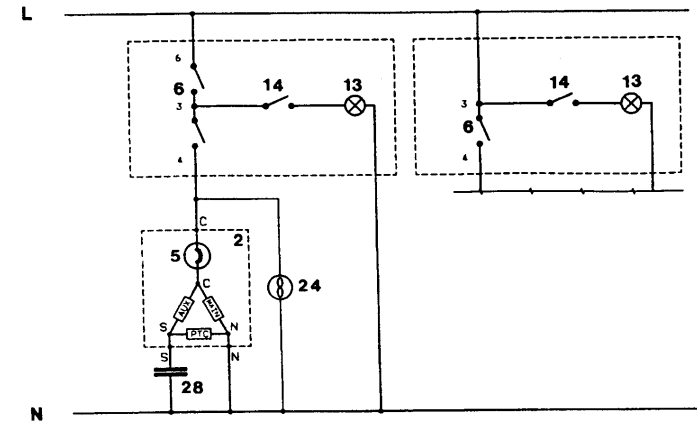
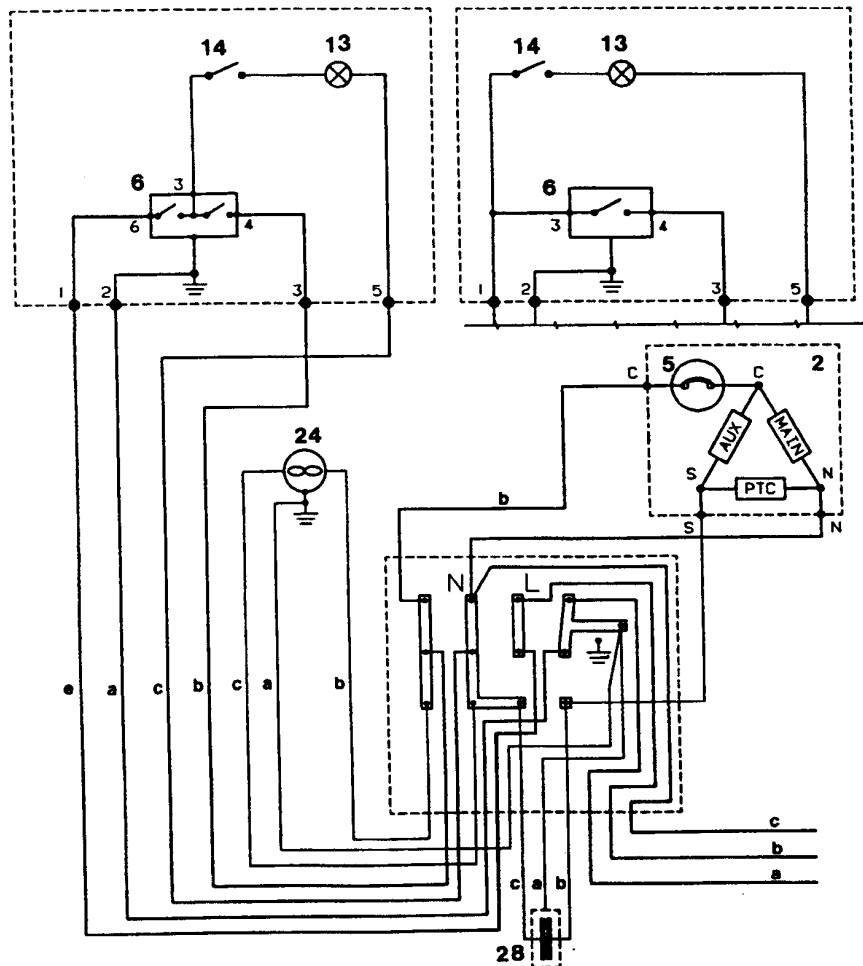


Responsible: K.H.Hiby

Telephone: (0209) 401732

Date: 27.01.1997

# No.18



- |                           |                |
|---------------------------|----------------|
| 2 Refrigerator condenser  | a yellow-green |
| 5 Engine protection plate | b brown        |
| 6 Refrigerator thermostat | c blue         |
| 13 Refrigerator light     | d white        |
| 14 Deep-freezer light     | e black        |
| 24 Fan                    |                |
| 28 Capacitor              |                |