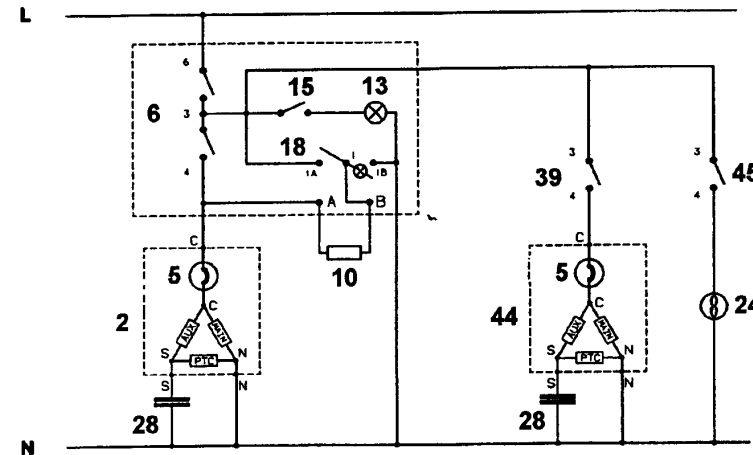
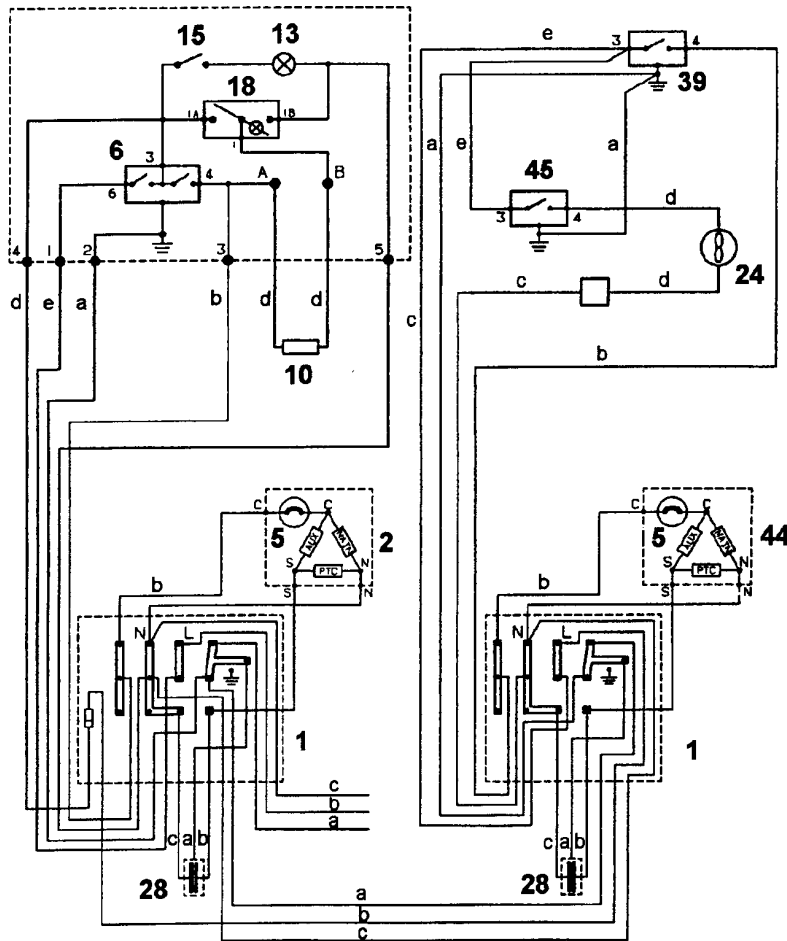


Responsible: K.H.Hiby

Telephone: (0209) 401732

Date: 27.01.1997

# No.21



- |    |                                   |    |                     |
|----|-----------------------------------|----|---------------------|
| 1  | Terminal board                    | 39 | Thermostat 0°C zone |
| 2  | Refrigerator condenser            | 44 | Condenser 0°C zone  |
| 5  | Engine protection plate           | 45 | Fan thermostat      |
| 6  | Refrigerator thermostat           |    |                     |
| 10 | Balancing resistor                |    |                     |
| 13 | Refrigerator light                |    |                     |
| 15 | Refrigerator door switch          |    |                     |
| 18 | Balancing heating resistor switch |    |                     |
| 24 | Fan                               |    |                     |
| 28 | Capacitor                         |    |                     |
|    |                                   | a  | yellow-green        |
|    |                                   | b  | brown               |
|    |                                   | c  | blue                |
|    |                                   | d  | white               |
|    |                                   | e  | black               |
|    |                                   | f  | grey                |
|    |                                   | g  | red                 |