

Responsible: D. Rutz
Date: 26.02.2002

Tel.: (0209) 401 733
Fax: (0209) 401 743

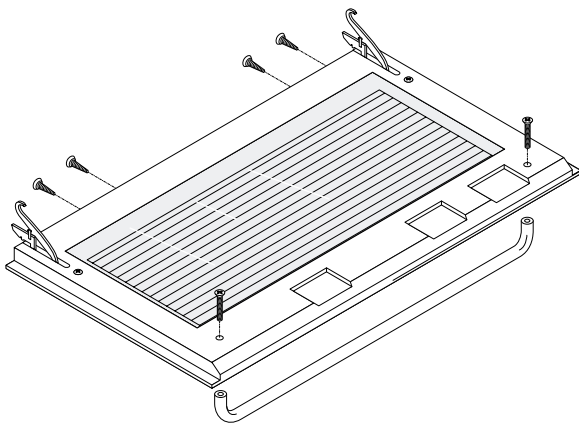


Modification instruction, 90 cm oven door

EEB 970.0 / 960.0

A 4 mm metal strip need to be glued in to prevent the door shutting by itself on all 90 cm built-in ovens.

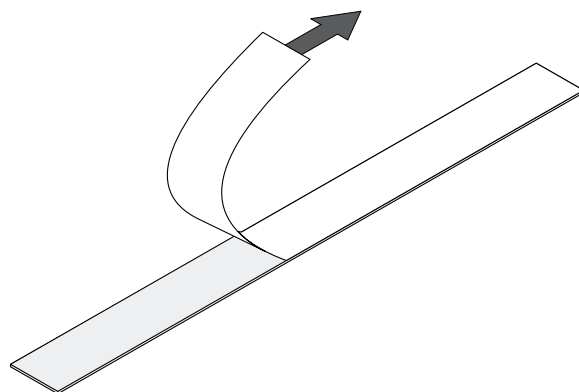
Metal strip - spare parts No.: 701 390 000



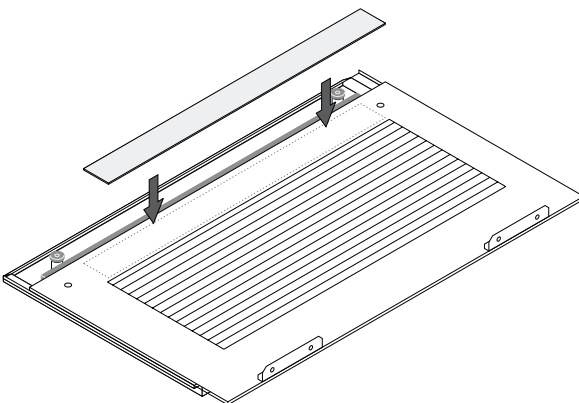
Unhinge the oven door and carefully place it on a suitable surface.

Undo the four screws at door bottom and then take the door handle off by undoing the two screws retaining it.

Press door and back plate together by hand and turn them around so that the front window is uppermost.



Turn the pane so that the inner side is uppermost. Put it down carefully to avoid damaging the surfacing.



Take the protective foil off the metal strip and glue it in place between the two fastening screw holes of the door handle on the inner side of the front pane.

Note:
Do not glue the strip to the pane.