

Responsible: Dieter Rutz
Date: 30.08.2005

Phone: (0209) 401 733
Fax: (0209) 401 743



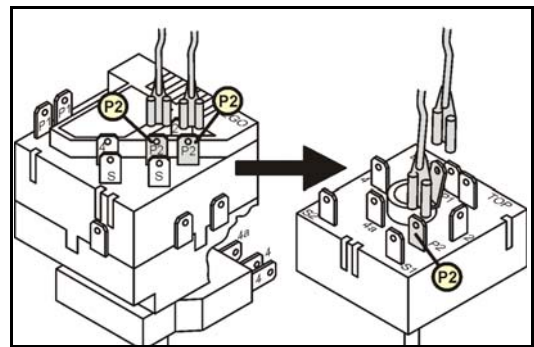
Instructions for modifying the energy regulator spare-part no. 161 606

Re.: Replacement for the energy regulator with a double-circuit appliqué in cookers produced up to 1999

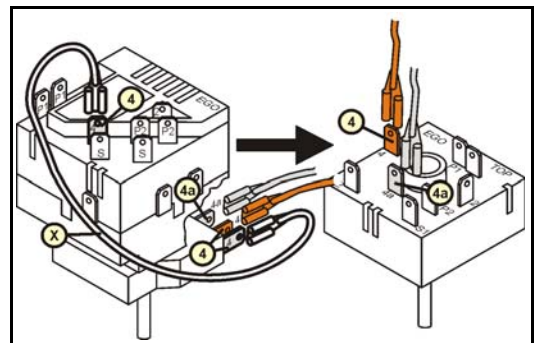
Required parts: Energy regulator spare-part no. 161 606 and a piggyback plug, spare-part no. 184 721

Plugging the connector plug onto the terminal lug of the energy regulator is carried out 1:1 with the following restrictions:

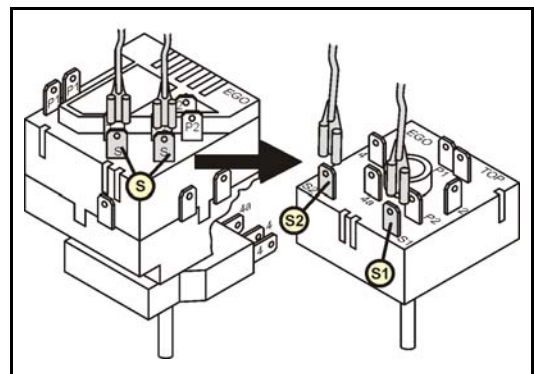
1. The P2 contact on the old regulator is fitted with two terminal lugs. The new regulator only has one terminal lug, so the piggyback plug no. 184721 supplied will need to be used for rewiring.



2. The insulated conductors of contacts 4 and 4a on the appliqué switch of the old regulator are inserted onto contacts 4 and 4a on the back of the new regulator. The bridge x from contact 4 of the appliqué switch to contact 4 on the back of the old regulator is no longer required.



3. The contact 2x S of the old regulator is a zero-potential contact for the signal lamp which is marked S1 and S2 on the new regulator.



ATTENTION

When replacing a power control switch with an automatic parboil mode the following must be observed:

1. The automatic parboil mode is no longer present.
2. It will no longer be possible to connect an indicator lamp which may be present for displaying the automatic parboil mode. The two wires of the parboil mode indicator lamp will need to be removed from the lamp.