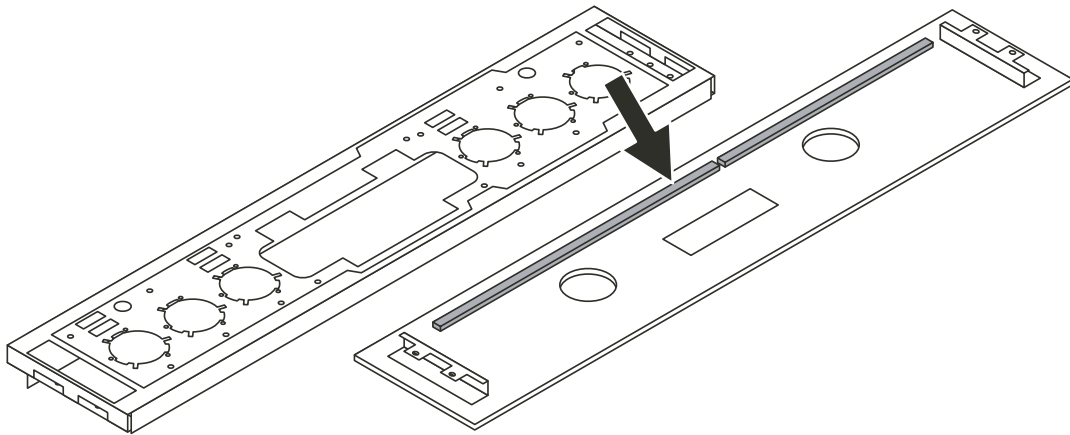


EEH/EEB 6100.5 and EEH/EEB 6150.5

It is possible that the sealing (spare-part no. 535 995) may have been incorrectly glued in if it is no longer possible to adjust the clock (spare-part no. 528 383) with three buttons and the clock (spare-part no. 528 385) with five buttons.

Please proceed as follows to replace the sealing material:

1. Completely remove the foam sealing material on the back of the front pane of glass.



2. Glue new foam sealing material into the groove along the contour of the metal panel as illustrated.

