

Responsible: D. Rutz  
Date: 17.08.2010

Tel.: (0209) 401 733  
Fax: (0209) 401 743



## Replacing an EEBD 6600.1 cross bar

### Problem description:

The doors for the water tank of appliances with an "old" cross bar may be out of line. This problem can be solved by replacing the cross bar, spare-part no. 542644.

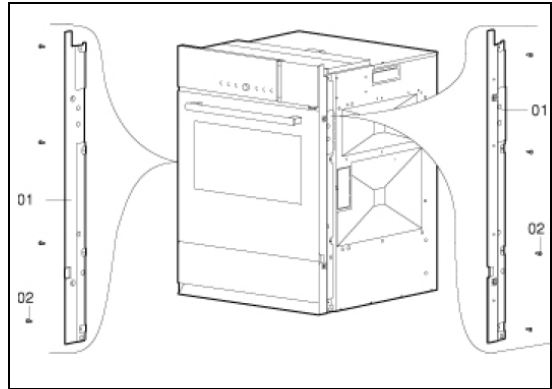
This refers to the following appliances:

- EEBD 6600.1 to FN 771 000611

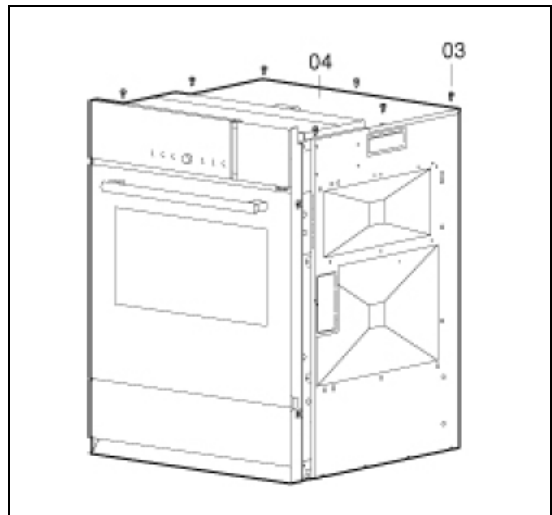
A T20 Torx screwdriver is required in order to be able to carry out this modification.

### Modification instructions:

1. Remove the screws in pos.02 (8x) and take off the edge protectors on the left and right, pos.01.



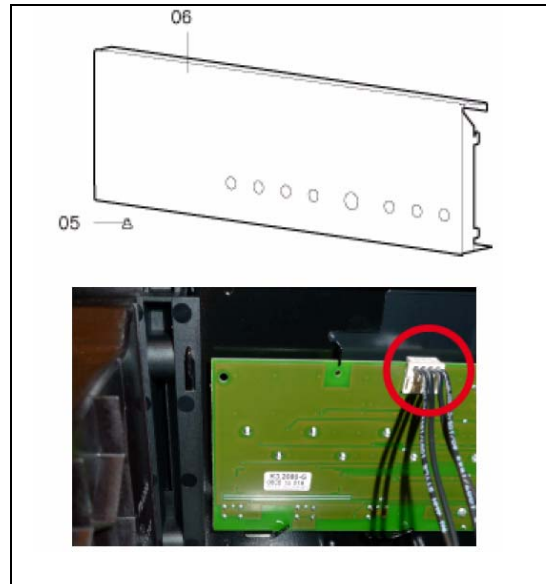
2. Remove the screws in pos. 03 (7x) and take off the cover, pos. 04.



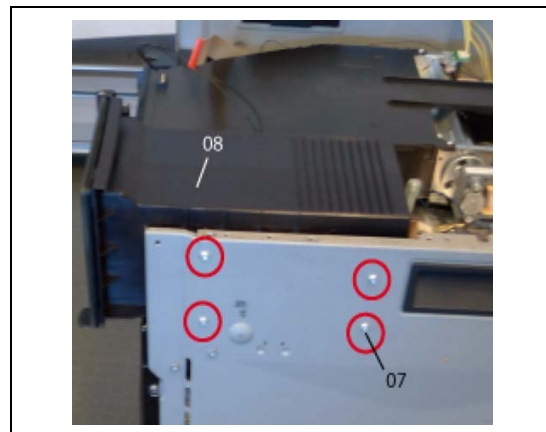
### 3. Use an LESD kit:

**CAUTION! All the cables on the operating element must be removed beforehand.**

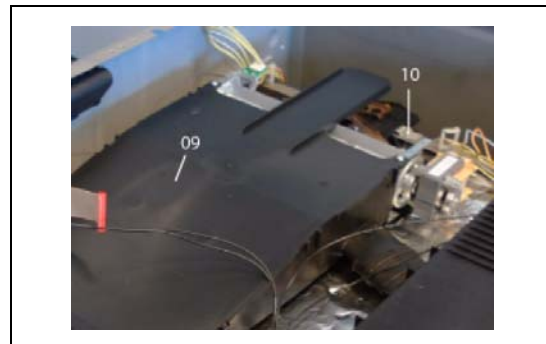
Remove the screws in pos.05 (2x) and take off the control panel, pos. 06.



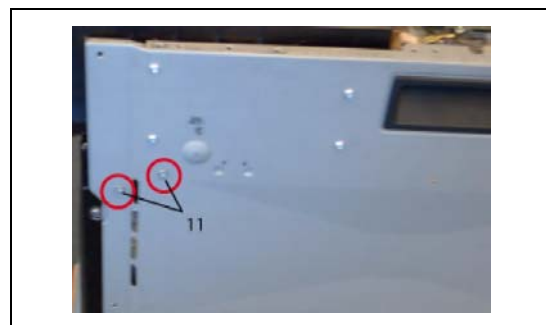
### 4. Remove the screws in pos. 07 (4x) and take off the whole water tank, pos. 08.



### 5. Remove the screws in pos. 10 (2x) and take off the duct.



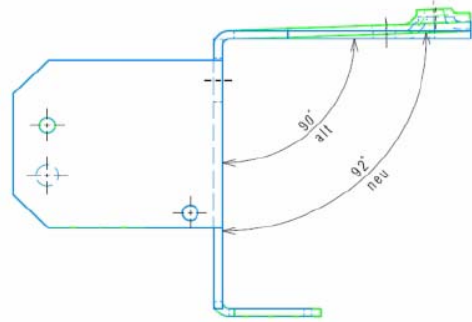
### 6. You will now be able to remove the screws in pos. 11 (2x on each side) of the cross bar from the side.



7. Now the cross bar in pos.12 can be removed.



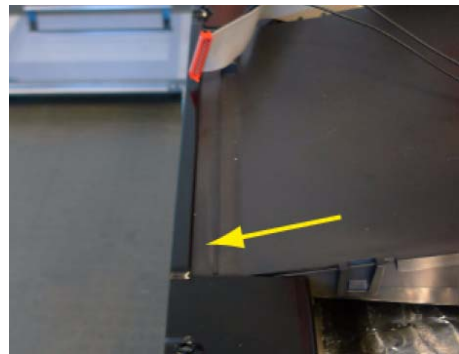
8. Once it has been removed, the "old" cross bar can be compared to the "new" one.



Installation is carried out in reverse order.

**NOTE!**

Please make sure that the duct is flush when it is moved into the cross bar.



The duct supports must also be properly moved into position.

