

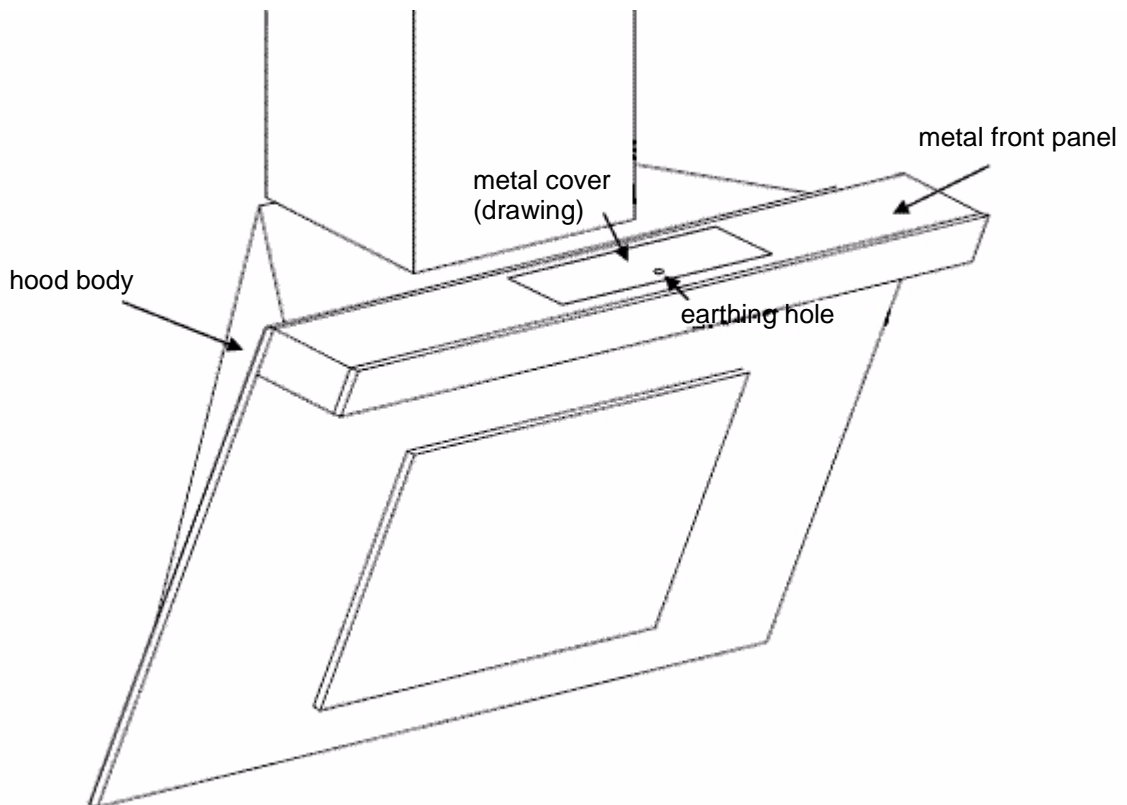
Unreliable touch control operation KD9570.0 J KD9570.0BC

1 Introduction

In the event of control problems with touch control **spare-part no. 543624** (code number C21213502) a check will need to be carried out to determine whether there is an electrical connection between the metal front panel and the body of the hood (check for transmission with an ohmmeter).

2 Solution

It is not necessary to earth the touch control; only a connection between the body of the hood and the metal front panel needs to be made if problems with the touch control occur. This relates to the potential equalisation of the touch control "metal surrounding". See illustration:



Models produced approximately as of autumn 2010 use a metal cover with an earthing hole (see the drawing), so that this error has been rectified for appliances as of autumn 2010.