

New door lock

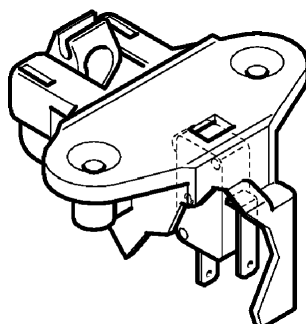
Fitted appliances (new design)

From November 1998 onwards (serial number 848 ...), a new door lock is being installed gradually in the dishwashers listed below. This door lock reduces the door closing forces and also ensures tightness despite the lower closing forces.

This new door lock must be installed together with the new handle.

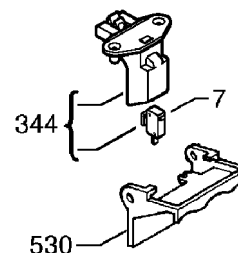
Please update the service notes as indicated in the table below.

New door lock



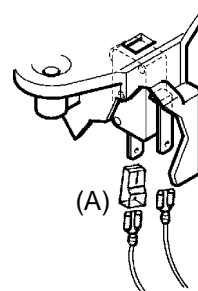
REPLACEABILITY

- The new components (items 344 and 7) cannot be replaced individually. This means you cannot replace one old part with a single new part.
- This new door lock must be installed together with the new handle (items 344 and 530).
- The new door handle (item 530) can replace the previous handle but not vice versa (i.e. the new handle can be used with the previous lock).



Attention:

If a new door lock is installed instead of the old one, an insulation sleeve (A) must be used for the AMP plug. This applies to the connecting lug which has the shortest distance to the inner door (See Fig.).



The following list contains the models affected:

Model	Item 344	Item 530	Item 7
IG 643.3 W	425 742	old = 426 256	427 048
IG 646.2 W		new = 426 640	
IG 643.3J	425 742	426 257	427 048
IG 643.3E			
IG 646.2J			
IG 646.2E			
IG 643.3B	425 742	old = 426 258	427 048
IG 643.2B		new = 426 708	