

**«IWMS/1»
for electromechanical, Itronic and electronic dishwashers
of the New Structure 60 cm series**

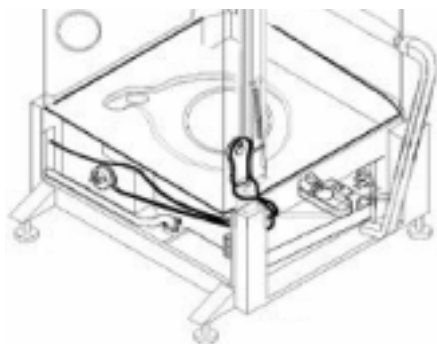
This document supplements the previous Technical Information Sheet H7-410-03-14.

From serial No. 915... (APRIL/99) onwards, a new softener module «IWMS/1» with an integrated pressure monitor hose is being installed in all dishwashers of the New Structure series

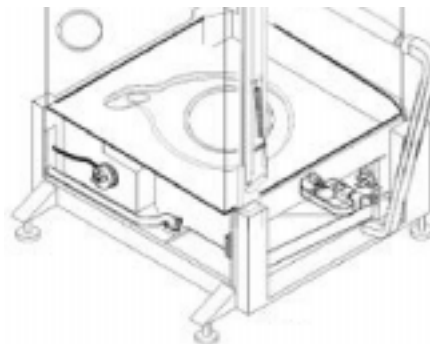
As a result, the following changes are being made to all ELECTROMECHANICAL and ITRONIC dishwashers:

- Shortening of the pressure monitor hose. In this way any possible pinching of the hose (and standstill of the appliance) is avoided.
- Use of a modified pressure monitor and «IWMS» connection hose.
- All «IWMS/1» softeners are provided with Teflon core electric valves (reset, regeneration, resin rinse) .

Softener module «IWMS/0»
(long hose)



Softener module «IWMS/1»
(integrated hose)



"IWMS/1" MODULE FOR THE VARIOUS APPLIANCE TYPES

DISHWASHER/ Spare parts No. IWMS	DIFFERENCES COMPARED WITH THE BASIC COMPONENT
Electromechanical 426766	a) Manual adjustment of the regeneration stages b) 4 chambers open (300 cc) c) 3 Teflon valves (reset, regeneration, resin rinse)
Itronic 427034	a) Software-controlled adjustment of the regeneration stages b) 2 chambers open (220 cc) c) 3 Teflon valves (reset, regeneration, resin rinse)
Electronic	a) Software-controlled adjustment of the regeneration stages b) 2 chambers open (220 cc) c) 2 Teflon valves (regeneration, resin rinse) d) Pressure monitor hose connection nozzle closed

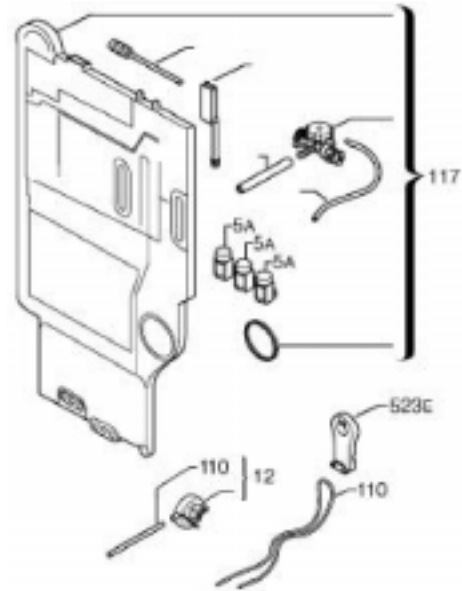


NOTES FOR THE CUSTOMER SERVICE

Only for *ELECTROMECHANICAL* and *ITRONIC* dishwashers:

- One replacement kit «IWMS/ 1» (item 117), which also contains the pressure monitor and hose, is available to facilitate replacement in all dishwashers equipped with an «IWMS / 0».

DISHWASHER TYPE	REPLACEMENT KIT «IWMS/ 1»
Electromechanical	426766
Itronic	427034
Electronic	Note: As this appliance has no pressure monitor, no kit is required



REPLACING THE COMPONENTS

«IWMS/0»:

- Use the kit «IWMS/1» intended for the dishwasher type and replace the pressure monitor together with the hose supplied.
- It is not necessary to remove the former (disconnected) hose and holder from the appliance.

Pressure monitor:

- Use the pressure monitor intended for the «IWMS» installed in the dishwasher.
- The use of an unsuitable pressure monitor may impair the function and reduce the safety of the appliance.

IMPORTANT: *With the new pressure monitor (item 12) the contacts are not on the same side as in the former model; the connector of the pressure monitor hose has also been turned through 180°.*

«IWMS» COMBINATIONS

DISHWASHER TYPE	PRESSURE MONITOR item. 12	HOSE item.110	ELECTRIC VALVE item. 5A	IWMS MODULE item.117
ELECTRO-MECHANICAL	IWMS/0 = 426852 IWMS/1 = 427055	426890	426878	426766
ITRONIC				427034
ELECTRONIC	—	—		426975

EXCHANGEABILITY

- The new «IWMS/1» softener group (item 117) (with Teflon electric valve) supersedes the previous one; the latter can be installed in all dishwashers in line with the type.
- The new Teflon electric valve (item 5A) supersedes the previous one; it can also be used in the former «IWMS» and all electromechanical, ltronic and electronic dishwashers.
- After the old spare parts (Items 117 and 5A) have been used up, the new spare parts will be supplied.
- The new pressure monitor cannot be exchanged for the old one; both spare parts will be available.