

Problems during pumping-out

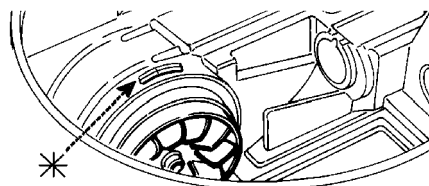
New Structure 60 cm - Electromechanical Dishwashers

In order to remedy problems during top basket washing, please observe the following procedure that must be exactly followed during checking.

1) MOTOR CHECK

VENT ON THE WATER DISCHARGE SCREW CLOGGED

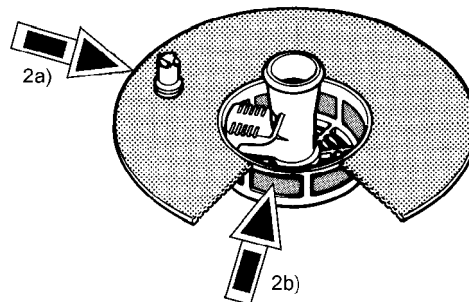
- Eliminate the fault after establishing the causes:
 - Vaseline grease residue or sedimentation
 - O-ring of the pump not inserted correctly
 - Pump motor not installed correctly
(not correctly introduced into the appliance bottom)



2) STRAINER

UNSUITABLE STRAINER (without air hole)

- The strainer without an air hole must be replaced by the strainer with an air hole - spare parts No. 427023. *It is essential to perform this replacement work on all dishwashers which were manufactured in the period February-June 1998 (serial Nos. 805 ...- 823...).*
- Make sure that the net of the inner strainer is not clogged.
(Carefully clean or replace the strainer.)



3) FLOAT VALVE

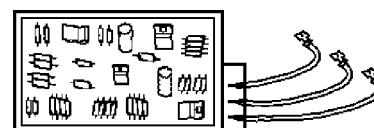
UNSUITABLE FLOAT VALVE (prior to change)

- The valve must be replaced by the modified (white) valve spare parts No. 426986 supplied in the kit. *It is essential to perform this work on all dishwashers which were manufactured prior to December/98 (serial No. 853).*



4) ELECTRONIC UNIT

- The electronic unit is installed in the dishwasher as described in the Technical Information **H7-410-03-19**.

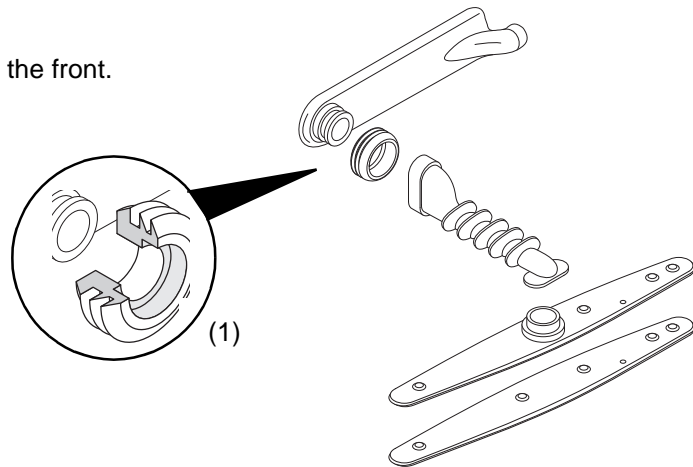


5) SPRAYING ARMS

- Check the spraying arms for clogging (coarse left-overs, etc.) and replace, if required. (Spare parts No. 426815).

6) SEAL

- Check the seal and replace, if required (Spare parts No. 426811).
- The groove of the seal (1) must point to the front.



FUNCTIONAL TEST

The functional test is performed in accordance with points 1 - 6.

- Set the timer to pre-wash «D», perform several start-up and drain operations and check the discharge pump for perfect operation.
- Optimum pumping-out has been achieved if, after the 60" pumping-out phase, the residual water level in the sump is lower than the filter tower edge and the filter tower interior (see illustration).

