

# Küppersbusch

ALLERFEINSTE KÜCHENTECHNIK

An alle  
Techniker/Gebietsleiter  
Export  
Vertragskundendienste

VKS-H/Ru

733

743

22.10.2002

D

Als Anlage erhalten Sie die Technische Information H7-410-03-23. Heften Sie diese zusammen mit dem neuen Registerblatt an die bezeichnete Position.

F

Vous recevrez ci-joint l'Information technique H7-410-03-23 et le nouveau registre. Mettez-le avec le registre en la position indiquée.

GB

Please find enclosed the Technical Information H7-410-03-23. Insert the new table of contents and file it under the indicated position.

I

In allegato vi inviamo l'informazione tecnica H7-410-03-23. Inserirla insieme al nuovo registro alla posizione indicata.

ES

En anexo recibe Ud. la información técnica H7-410-03-23 y el índice del contenido. Archive la información bajo la posición indicada.

P

Incluimos a informação tecnica H7-410-03-23 e o novo índice com a posição indicada.

NL

In bijlage vindt u de technische informatie H7-410-03-23. Gelieve deze samen met het nieuwe registerblad op de juiste plaats te in te voegen.

Mit freundlichen Grüßen

**KÜPPERSBUSCH HAUSGERÄTE AG**  
**Kundendienst**

-Rutz-

EDV-Ausdruck ohne Unterschrift gültig  
Computer printed: no signature required  
Impression électronique valable sans signature  
Stampa informatica valida senza firma  
Impresión informática válida sin firma  
Esta carta impresa por computador é válida sem assinatura.  
Computerprint – geldig zonder handtekening

Responsible: D. Rutz  
Date: 22.10.2002

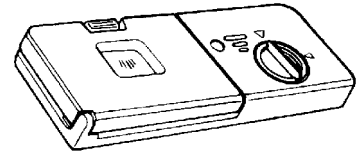
Tel: (0209) 401 733  
Fax: (0209) 401 743



**STANDARDISATION OF BUILT-IN DISPENSERS**

Because various types of single-coil dispensers (detergents/rinse aids) are used for dishwashers, the respective components have been standardised in order to simplify customer service. The entire dispenser or, if so required, individual components can be replaced (see the chart on page 2 with the spare-part numbers), thus reducing repair costs for customers.

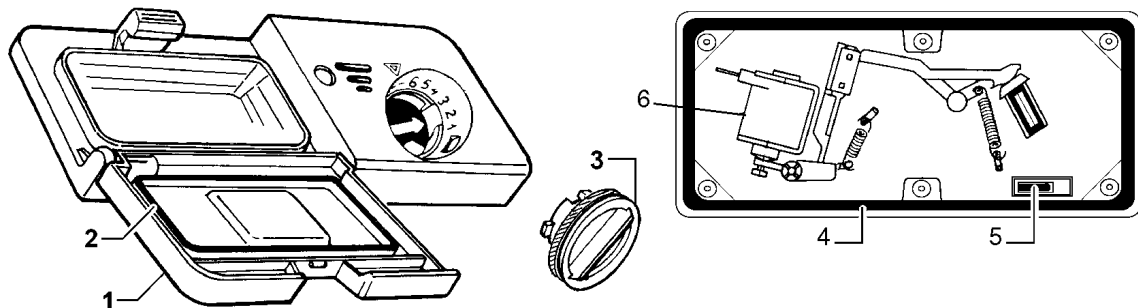
A full dispenser, which can be used for **all** dishwashers (**old and new structures, 45 and 60 cm, electromechanical, itronic and electronic appliances**), has been introduced as a spare part:



Type of dishwasher	Original dispenser Spare part no.	Full dispenser Spare part no.	
Electromechanical and electronic	42 66 69 42 69 72	<b>42 57 24</b> (with a rinse aid sensor)	220/240 V - 50/60 Hz
Itronic	42 69 53 42 67 56		

**UPDATING THE COMPONENTS**

We are therefore updating the spare-part numbers of the individual components of the dispenser which we can supply individually and which are NOT listed in the respective spare- part catalogues. The components listed below can only be attached to the original dispenser and to the full dispenser.

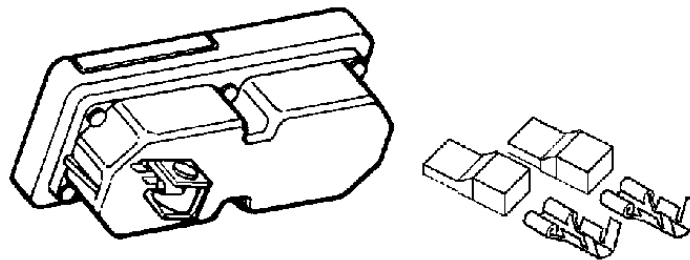


1	Entire flap (Flap, sealing, plug, spring)	43 48 99
---	--	----------

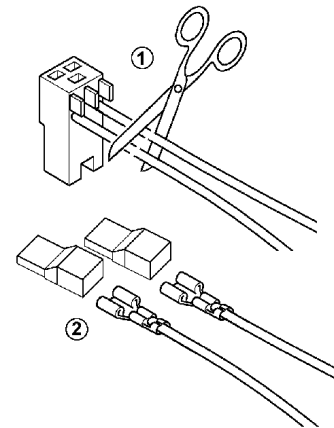
2	Flap sealing	42 61 95
3	Detergent lock with sealing	42 61 93
4	Sealing dispenser	42 61 96
5	Reed - relay	43 48 98
6	Individual coil	42 61 94

**Note!**

Proper functioning of the modular unit is guaranteed only if the correct parts for the respective dispenser are used.

**INSTRUCTIONS FOR CUSTOMER SERVICE**

The components provided as accessories (plug covers and AMP flat plugs) all belong to the ITRONIC range of dishwashers, since in the case of the dispensers installed as a standard until June 1998 (serial number 823...), a modular electrical connection had been provided for.

**For ITRONIC dishwashers only**

1. Disconnect the electrical connection from the dispenser.
2. Disconnect the modular connector.
3. Attach the two plug covers and the AMP flat plugs (included as a set).
4. Connect the flexes on the new dispenser.