

Date: 25.03.2013

Responsible: Dieter Rutz
email: dieter.rutz@kueppersbusch.de

Tel +49 (0)209 401-733
Fax +49 (0)209 401-743

Less tension in the door

Appliances

Only appliances listed below with the "new door spring system" which were produced between FD 9208 and FD 9310 are affected

IGVS6506.2	IGVS6509.2	IGVS6509.3	IGVS6609.2
IGVS6609.3	IG6507.2E	IG6509.0E	IGV6506.2
IGV6509.2	IGV6509.3	IGVE6610.0	IGV6609.2
IGV6609.3			

Issue

The door has less resistance when opening. The door **will not remain** in a mid-opened position and will drop to fully open.

Cause

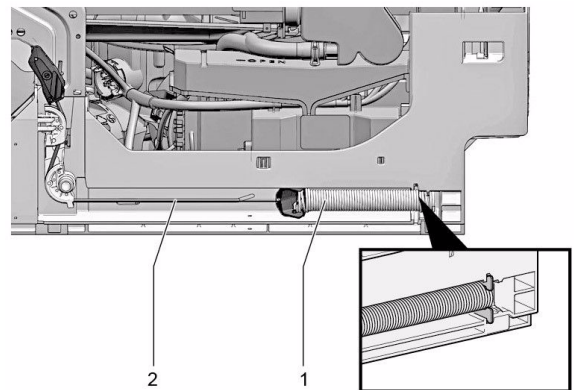
The rope can become loose from the spring connection or connection can break on the left or right side of the dishwasher.


Solution

If this failure occurs, the spring system must always be changed together in pairs:

- 2 springs (position 1)
- 2 ropes (position 2)

The spring repair kit consists of two springs, two ropes and a sticker to indicate the unit has been repaired.



Spring force	Colour	Spare part n.	Weight
Max.  Min.	Pink	441344	3kg - 10kg
	Green	441843	2,5kg - 8,5kg
	Black	441281	2,5kg - 8,5kg
	Blue	441844	2,5kg - 8,5kg



If the installed springs provide too little force for the door, please install the next stronger color springs per the spring table!

To avoid additional repair trips, inspect door and hinge system for damage and bending.