

VKS-H

Technical Information

4-DOOR-BUILT-IN REFRIGERATOR IK 458-2-4 T

H8-420-03-06

Responsible: D. Rutz

Tel. (0209) 401-733

Fax: (0209) 401-743

Date: 20.07.1998

EVAPORATOR REPLACEMENT KIT No. 430330

Components of the kit:

- 1) Replacement evaporator with soldered suction line and capillary
- 2) Sections of insulating envelope for suction line
- 3) Suction line rubber plug - cooling cell
- 4) 4 pressure clips for fastening the replacement evaporator
- 5) 4 rubber spacers - evaporator plate/cooling cell rear panel
- 6) Insulating envelope for thermodetector capillary
- 7) Perforated plug for thermodetector capillary
- 8) Plug to seal the old detector fastening hole
- 9) Small plastic disc for fastening the thermodetector + 2 screws
- 10) Drilling instructions

Installation instructions for replacement evaporator:

- 1) Disassemble the appliance.
- 2) Drain refrigerating agent **at the rear side of the appliance** and dispose of accordingly, then
- 3) separate suction line and capillary and afterwards
- 4) unscrew condenser at the 3 fastening points on the right-hand side.
- 5) Drill a through hole (\varnothing 26 mm) **at the front side of the appliance** (see drawing) (tool to be used e. g. HSS bimetal compass saw with multi-purpose tothing D=25 mm).
- 6) Drill 4 holes (\varnothing 7 mm/10 mm max. depth) to fasten the replacement evaporator (see drawing).
- 7) Insert the suction line through the larger hole (5), guide it along the rear side of the appliance and provide it with the insulating envelope.
- 8) Install rubber plug (3) on the suction line to seal the hole in the cooling cell rear panel.
- 9) Unscrew the thermodetector and extend the capillary.
- 10) Slide the perforated plug onto the thermodetector capillary and provide the capillary with the supplied insulating envelope.
- 11) Fasten the thermodetector with the small plastic disc at the rear side of the evaporator by means of the enclosed screws (see drawing).
- 12) Install the replacement evaporator using the rubber spacers and the 4 pressure clips.
- 13) Install the pressure plug to seal the old detector fastening hole.
- 14) Connect suction line and capillary **at the rear side of the appliance**.
- 15) Fill the refrigeration circuit with 70g R134a.



Küppersbusch

THE HEART OF A GOOD KITCHEN

VKS-H

Technical Information

4-DOOR-BUILT-IN REFRIGERATOR IK 458-2-4 T

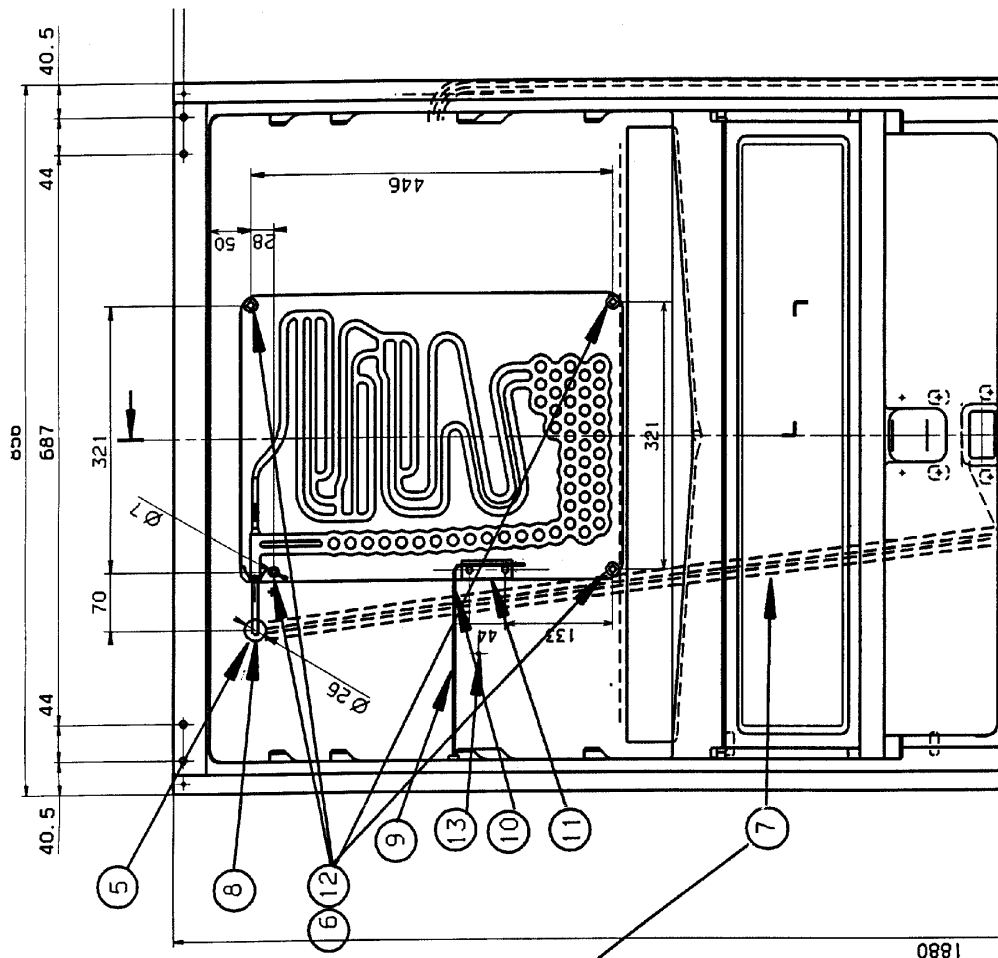
H8-420-03-06

Responsible: D. Rutz

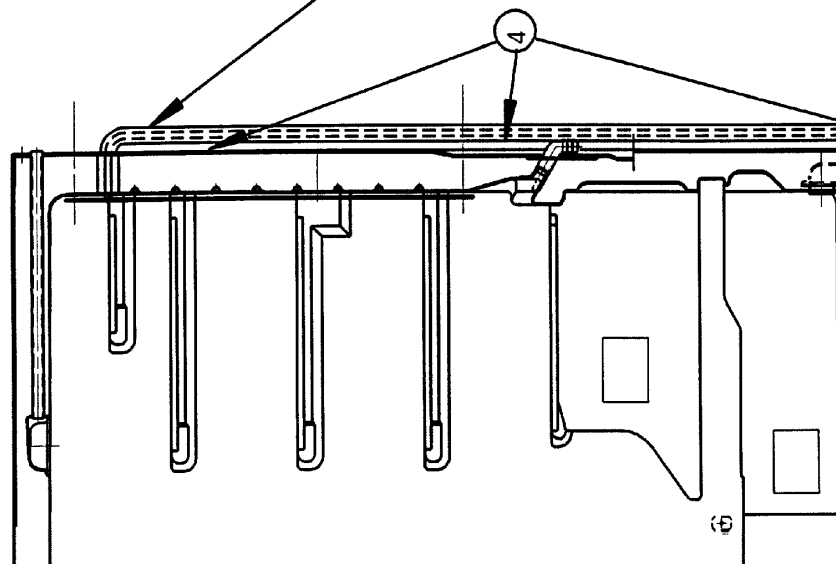
Tel. (0209) 401-733

Fax: (0209) 401-743

Date: 20.07.1998



1880



VKS-H	Technical Information 4-DOOR-BUILT-IN REFRIGERATOR IK 458-2-4 T		H8-420-03-06
Responsible: D. Rutz	Tel. (0209) 401-733	Fax: (0209) 401-743	Date: 20.07.1998

--	--	--	--