

Responsible: U. Laarmann  
Date: 03.07.2008

Tel.: (0209) 401 732  
Fax: (0209) 401 743



## No refrigerating capacity for KE 360-1-2T appliances

Calibration of the electronics unit will not have been carried out properly if customers complain about the refrigerating capacity of their appliance.

In this case the spare parts shown in the chart will need to be replaced as of serial number < 815 ....

### CAUTION!

Please always ensure that a 0,1 µF condenser has also been soldered to the cable harness (spare-part no. 433710).

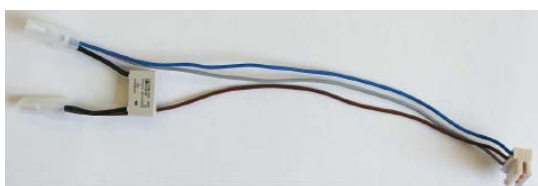


Figure 1

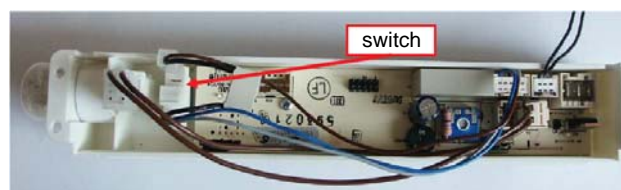


Figure 2

	Old	New
Switch (to be fitted up to serial no. 61630001)	Spare-part no. 433339	Spare-part no. 433711
Set of cables (to be renewed up to serial no. 73730001)		Spare-part no. 433710
Mains filter (to be fitted up to serial no. 81430001)		Spare-part no. 438176

### Installing the mains filter (spare-part no. 438176)

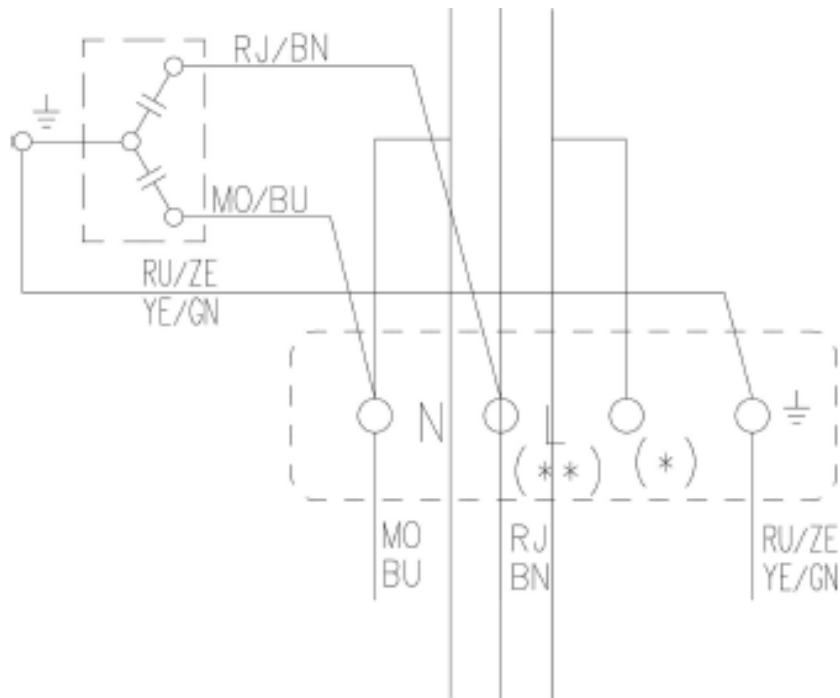


Fasten the mains filter to the compressor holder.



---

**Switch for the mains filter on the compressor connecting point**



Installation of the mains filter applies for all the appliances which do not yet have a filter installed or up to appliance serial number < 815.....